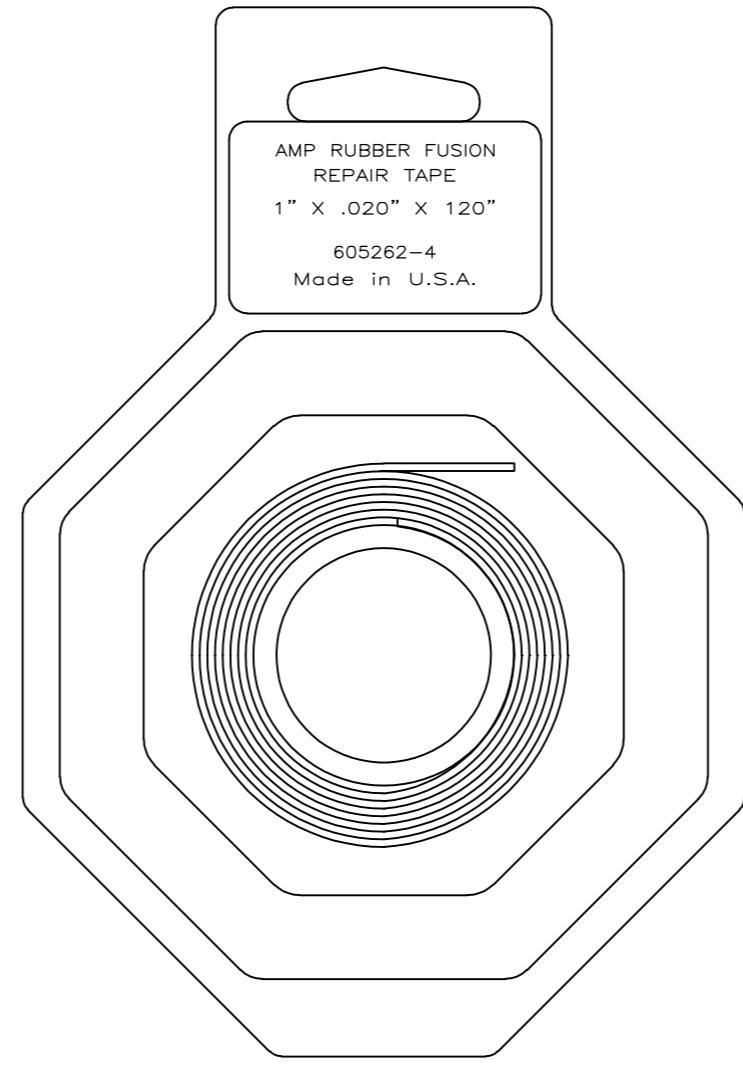
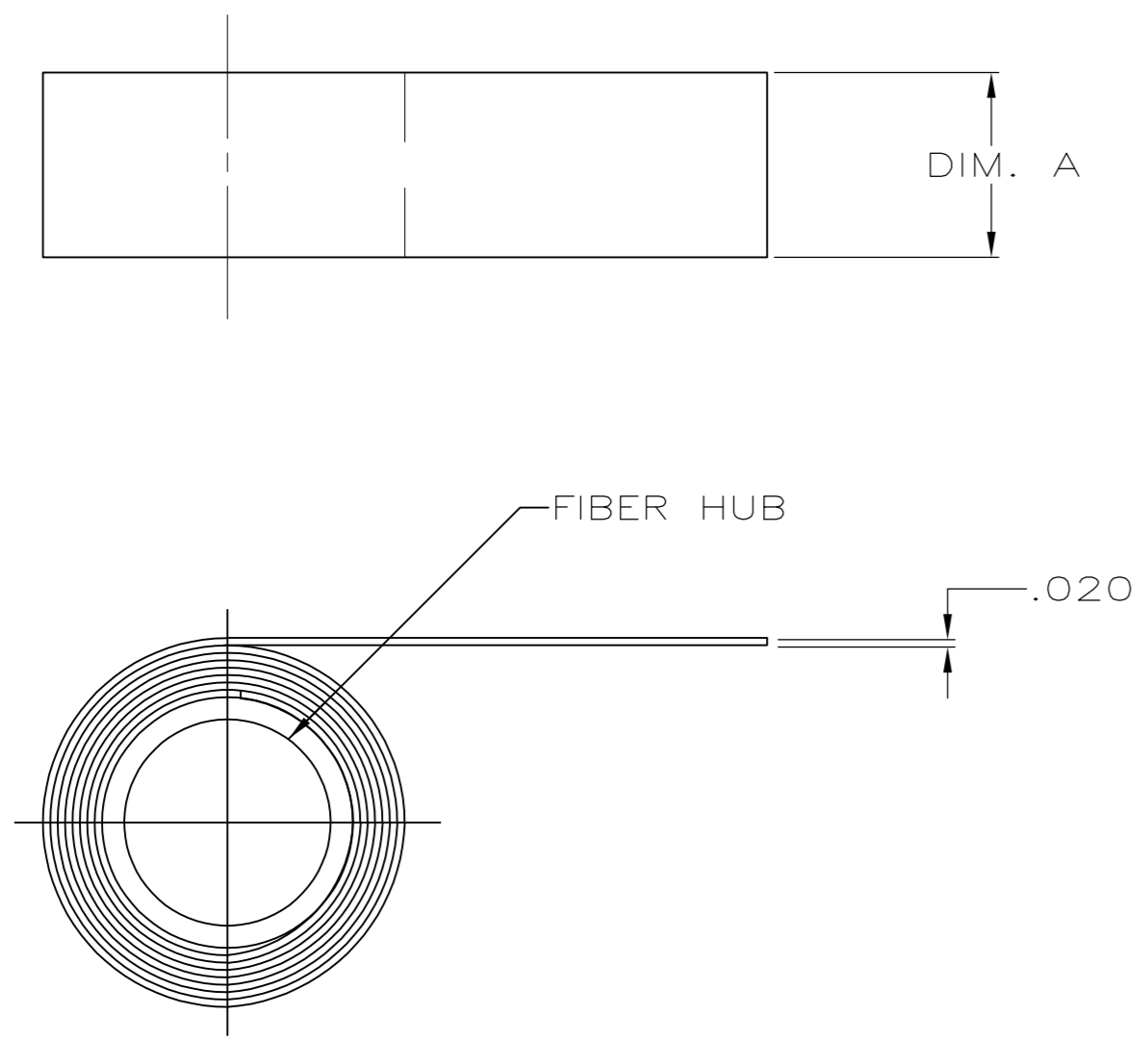


THIS DRAWING IS UNPUBLISHED. RELEASED FOR PUBLICATION
 © COPYRIGHT BY TYCO ELECTRONICS CORPORATION. ALL INTERNATIONAL RIGHTS RESERVED.

LOC	DIST	REVISIONS			
P	LTR	DESCRIPTION	DATE	DWN	APVD
EY	25	F	REV PER ECR 10-009281	04MAY10	JR TM

- 1 MATERIAL: POLYISOBUTYLENE SELF-AMALGAMATING TAPE, BLACK, .020 THICK.
- 2 PACKAGED 1 ROLL PER POLYBAG.
- 3 PACKAGED 1 ROLL PER CLAMSHELL, 5 CLAMSHELLS PER CARTON, SEE FIGURE A.
- 4 SELF-AMALGAMATING MATERIAL HAS 5-YEAR SHELF-LIFE, WHICH BEGINS THE DAY ITS MADE. USE AFTER EXPIRATION CONSIDERABLY IMPEDES ITS ABILITY TO FUSE.



PACKAGED	LENGTH/ROLL	DIM. A	PART NO.
3	3.05M [10 FEET]	25.4 [1.00]	605262-4
2	9.15M [30 FEET]	50.8 [2.00]	605262-2
2	3.05M [10 FEET]	25.4 [1.00]	605262-1

THIS DRAWING IS A CONTROLLED DOCUMENT.		DWN 9-07-94 D.L. DRUMMOND	Tyco Electronics Corporation Harrisburg, PA 17105-3608	
DIMENSIONS: INCHES		CHK 9-21-94 C. WHITT	NAME TAPE, COLD SHRINK	
TOLERANCES UNLESS OTHERWISE SPECIFIED:		APVD 9-27-94 D KAAT	PRODUCT SPEC	
0 PLC ± -		APPLICATION SPEC		
1 PLC ± -		WEIGHT -		
2 PLC ± -		SIZE A2		
3 PLC ± -		CAGE CODE 00779		
4 PLC ± -		DRAWING NO C=605262		
ANGLES ± -		RESTRICTED TO		
FINISH -		SCALE NONE SHEET 1 of 1 REV F		
MATERIAL - 1		CUSTOMER DRAWING		

605262

X-ON Electronics

Largest Supplier of Electrical and Electronic Components

Click to view similar products for [Adhesive Tapes](#) category:

Click to view products by [TE Connectivity](#) manufacturer:

Other Similar products are found below :

[56-YELLOW-34"X72YD](#) [00-021200-13972-7](#) [021200-64630](#) [60 TAPE \(1"\)](#) [62-GRAY-12"X36YD](#) [62-GRAY-1"X36YD](#) [69-1"X36YD](#) [764-1"x36yd-Red](#) [764-1"x36yd-White](#) [PG ASSY](#) [967454-1](#) [1181 19MM X 16,5 METERS](#) [130C-1X15FT](#) [E39-RS1-CA](#) [1900-48mm](#) [22-1/2X36YD](#) [88-SUPER-34X44FT](#) [890103N001](#) [2670](#) [96](#) [SJ3527N-Black-1.5"x50yd](#) [EVK-TA-TM047NBH01](#) [20-1"X60YDS](#) [2020-18mmx55m](#) [H150](#) [363](#) [3900-Blue](#) [3939-24mmx55m](#) [396-1"x36yd](#) [4462W-12"x72yd](#) [44-TAN-14"X90YD](#) [4504-34x18](#) [471-Trans-1"x36yd-Bulk](#) [35-Gray-1/2](#) [4008-12"X36YD](#) [4104-34"x18yd](#) [4116](#) [438](#) [444-1"x36yd](#) [4466 1"](#) [4466W-1/2"x36yd](#) [4492B-12"x72yd](#) [4496W-12"x36yd](#) [4508-1"x36yd](#) [4516-3/8x36](#) [4726 1/2"X36YD](#) [054007-43154](#) [054007-40651](#) [054007-43152](#) [06149](#)