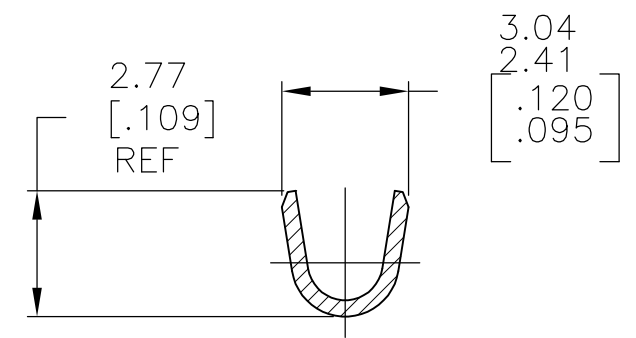
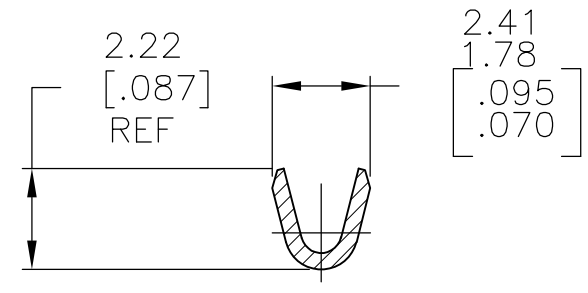
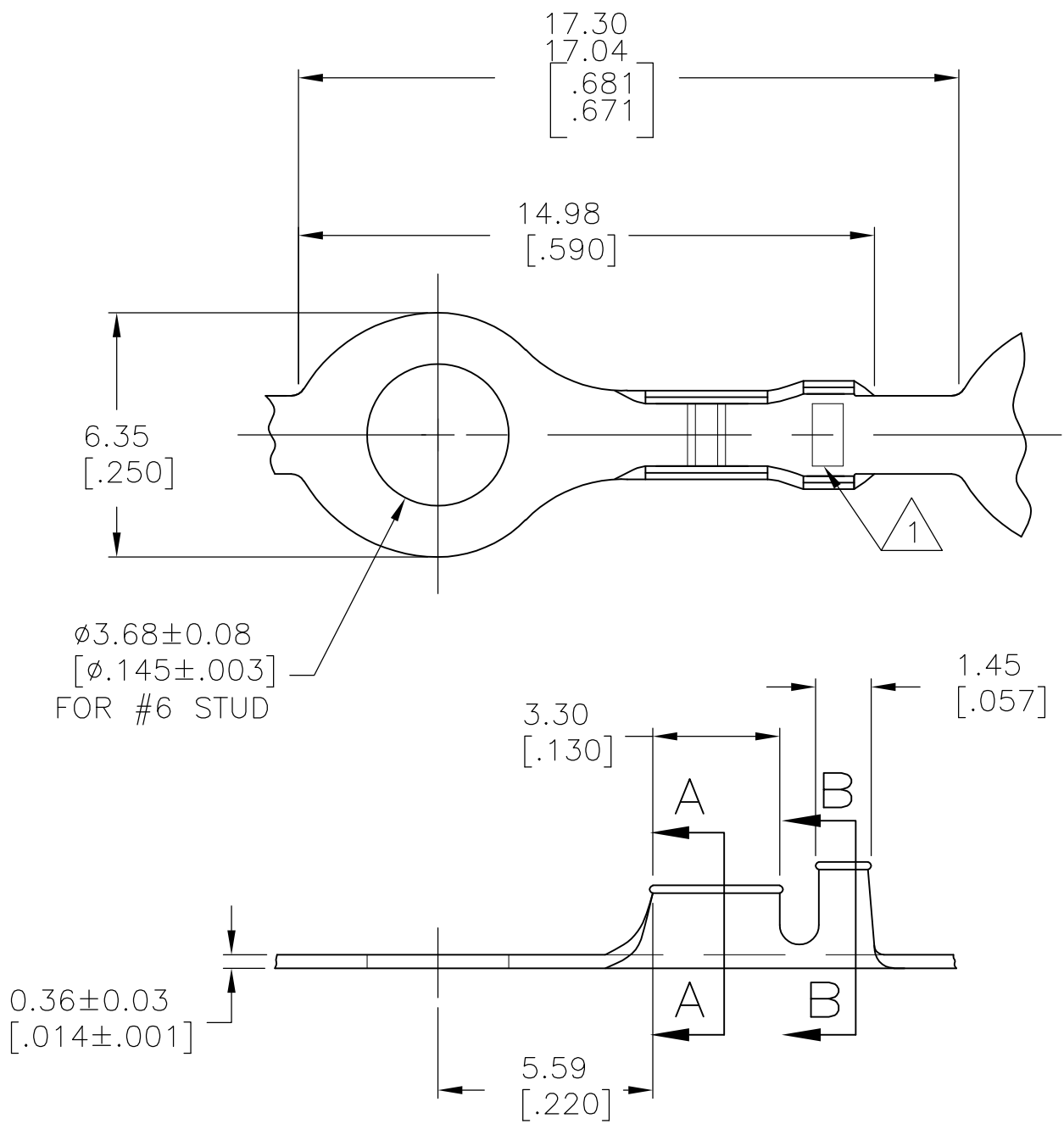


THIS DRAWING IS UNPUBLISHED. RELEASED FOR PUBLICATION  
 © COPYRIGHT - By - ALL RIGHTS RESERVED.

| REVISIONS |     |                           |         |     |      |
|-----------|-----|---------------------------|---------|-----|------|
| P         | LTR | DESCRIPTION               | DATE    | DWN | APVD |
| B2        |     | REVISED PER ECR-09-024991 | 17NOV09 | HMR | PD   |
| B3        |     | REVISED PER ECR-16-012480 | 16SEP16 | ST  | TD   |

△ 1 STAMPING: AMP FOR 60553-1  
 AMP\* FOR 60553-3



|               |                           |             |                 |
|---------------|---------------------------|-------------|-----------------|
| 24-20         | 1.22 [.048] - 1.98 [.078] | PHOS BRONZE | 60553-3         |
|               |                           | BRASS       | 60553-1         |
| WIRE SIZE AWG | INSULATION RANGE          | MATERIAL    | TERMINAL NUMBER |

|                    |       |  |                   |       |                            |             |                         |
|--------------------|-------|--|-------------------|-------|----------------------------|-------------|-------------------------|
| 0                  | .090  | 2.29                                   | 4.32              | F     | 2.03                       | 1.40 [.055] | 0.6mm <sup>2</sup> [20] |
| F                  | .010  | [.090]                                 | [.170]            | F     | [.080]                     | 1.35 [.053] | 0.3mm <sup>2</sup> [22] |
|                    |       |  |                   |       |                            | 1.27 [.050] | 0.2mm <sup>2</sup> [24] |
| TYPE               | WIDTH | STRIP LENGTH $\pm 0.38$ [ $\pm .015$ ] | TYPE              | WIDTH | $\pm 0.051$ [ $\pm .002$ ] | HEIGHT      | WIRE                    |
| INSUL BARREL CRIMP |       |  | WIRE BARREL CRIMP |       |                            |             |                         |

THIS DRAWING IS A CONTROLLED DOCUMENT.

DIMENSIONS: mm [INCHES]

TOLERANCES UNLESS OTHERWISE SPECIFIED:

0 PLC ± -  
 1 PLC ± -  
 2 PLC ± -  
 3 PLC ± 0.38 [.015]  
 4 PLC ANGLES ± - ± 1° 0'

MATERIAL: SEE TABLE  
 FINISH: TIN

DWN RAGHAVENDRA 07MAY08  
 CHK JEFF RUTH 07MAY08  
 APVD JEFF RUTH 07MAY08

**STE** TE Connectivity

NAME: RING

SIZE: A3 CAGE CODE: 00779 DRAWING NO: C-60553 RESTRICTED TO: -

WEIGHT: 0.000000

CUSTOMER DRAWING SCALE: 6:1 SHEET: 1 OF 1 REV: B3

## X-ON Electronics

Largest Supplier of Electrical and Electronic Components

*Click to view similar products for [Terminals](#) category:*

*Click to view products by [TE Connectivity](#) manufacturer:*

Other Similar products are found below :

[00-054007-01074-6](#) [00-054007-70206-1](#) [00-054007-70210-8](#) [00-054007-70217-7](#) [00-054007-70226-9](#) [00-054007-70228-3](#) [00-054007-70248-1](#) [00-054007-70256-6](#) [00-054007-70301-3](#) [00-054007-70316-7](#) [0-0320562-0](#) [00-054007-49560-4](#) [00-054007-70209-2](#) [00-054007-70225-2](#) [00-054007-70227-6](#) [00-054007-70231-3](#) [00-054007-70241-2](#) [00-054007-70242-9](#) [00-054007-70244-3](#) [00-054007-70246-7](#) [00-054007-70263-4](#) [00-054007-70288-7](#) [00-054007-70290-0](#) [00-054007-70300-6](#) [00-054007-70304-4](#) [01-2065-1-0216](#) [01-2900-1-04412](#) [00581P0075](#) [600TS-10](#) [60205-1](#) [604200-1](#) [605601-1](#) [60598-1-CUT-TAPE](#) [61314-6-C](#) [61810-3](#) [61-S](#) [61-SN](#) [626-0194](#) [62-NBM-A](#) [62-SN](#) [62-SP](#) [63-S](#) [640179-1](#) [M55155/059I03](#) [M55155/079C01](#) [M55155/099H02](#) [M55155/109H01](#) [M55155/109H02](#) [M55155/12XH05](#) [M55155/16XH02](#)