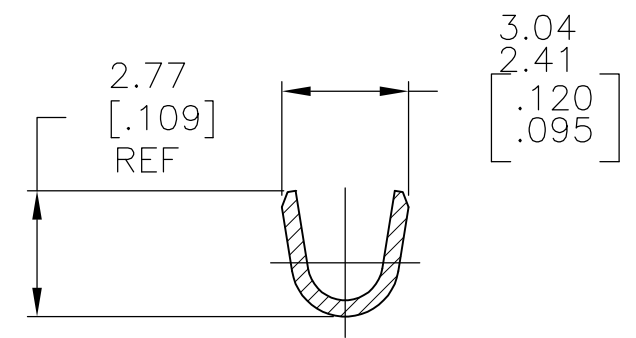
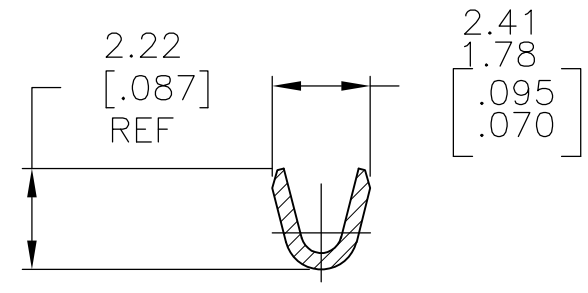
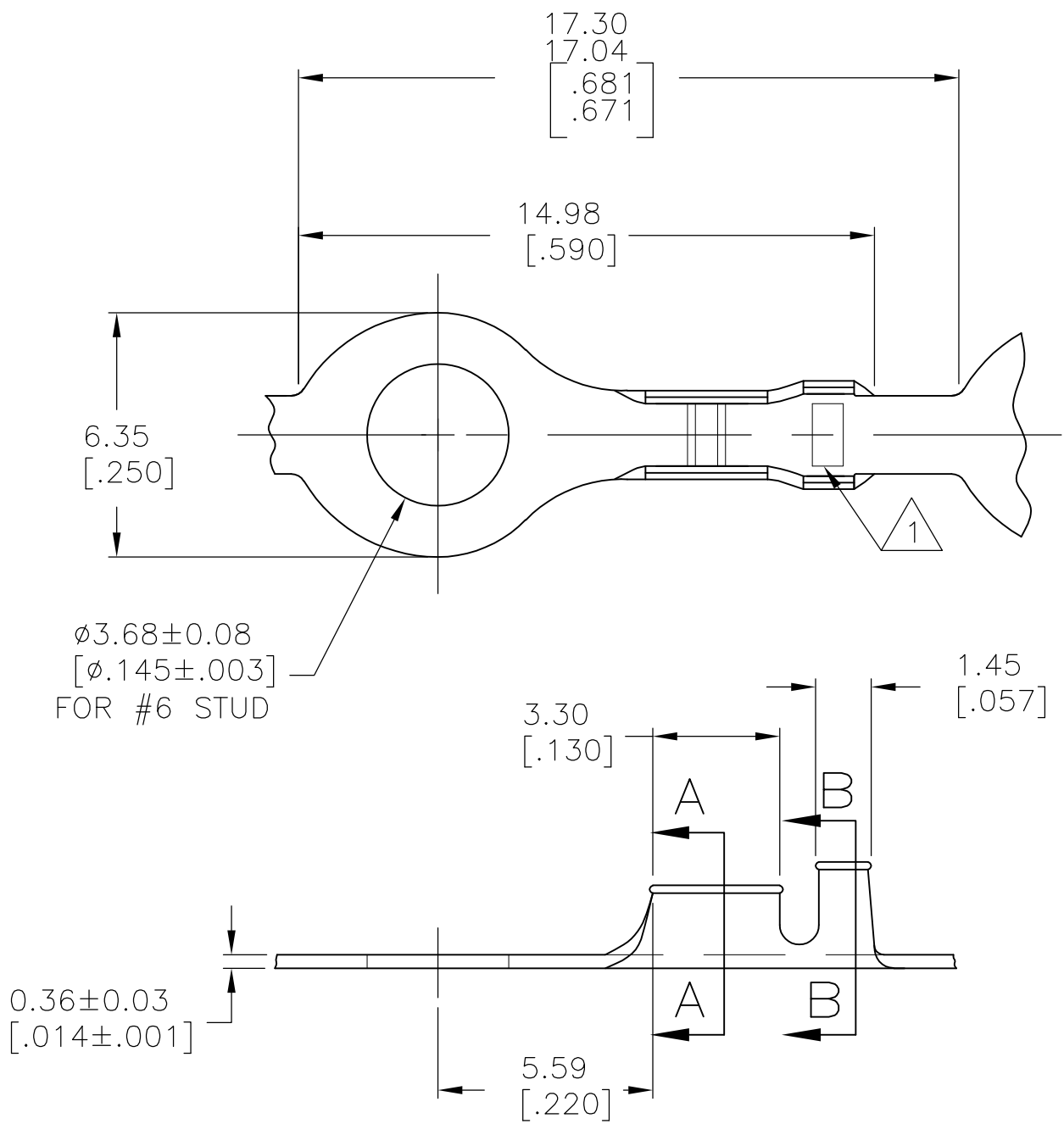


THIS DRAWING IS UNPUBLISHED. RELEASED FOR PUBLICATION  
 © COPYRIGHT - By - ALL RIGHTS RESERVED.

REVISIONS					
P	LTR	DESCRIPTION	DATE	DWN	APVD
B2		REVISED PER ECR-09-024991	17NOV09	HMR	PD
B3		REVISED PER ECR-16-012480	16SEP16	ST	TD

△ 1 STAMPING: AMP FOR 60553-1  
 AMP\* FOR 60553-3



24-20	1.22 [.048] - 1.98 [.078]	PHOS BRONZE	60553-3
		BRASS	60553-1
WIRE SIZE AWG	INSULATION RANGE	MATERIAL	TERMINAL NUMBER

0	.090	2.29	4.32	F	2.03	1.40 [.055]	0.6mm <sup>2</sup> [20]
F	.010	[.090]	[.170]		[.080]	1.35 [.053]	0.3mm <sup>2</sup> [22]
						1.27 [.050]	0.2mm <sup>2</sup> [24]
TYPE	WIDTH	STRIP LENGTH $\pm 0.38$ [ $\pm .015$ ]	TYPE	WIDTH	$\pm 0.051$ [ $\pm .002$ ]	HEIGHT	WIRE
INSUL BARREL CRIMP			WIRE BARREL CRIMP				

THIS DRAWING IS A CONTROLLED DOCUMENT.

DIMENSIONS: mm [INCHES]

TOLERANCES UNLESS OTHERWISE SPECIFIED:

0 PLC ± -  
 1 PLC ± -  
 2 PLC ± -  
 3 PLC ± 0.38 [.015]  
 4 PLC ANGLES ± - ± 1° 0'

MATERIAL: SEE TABLE  
 FINISH: TIN

DWN RAGHAVENDRA 07MAY08  
 CHK JEFF RUTH 07MAY08  
 APVD JEFF RUTH 07MAY08

STE TE Connectivity

NAME: RING

SIZE: A3 CAGE CODE: 00779 DRAWING NO: C-60553 RESTRICTED TO: -

WEIGHT: 0.000000

CUSTOMER DRAWING SCALE: 6:1 SHEET: 1 OF 1 REV: B3

## X-ON Electronics

Largest Supplier of Electrical and Electronic Components

*Click to view similar products for [Terminals](#) category:*

*Click to view products by [TE Connectivity](#) manufacturer:*

Other Similar products are found below :

[00-054007-01074-6](#) [00-054007-70206-1](#) [00-054007-70210-8](#) [00-054007-70217-7](#) [00-054007-70226-9](#) [00-054007-70228-3](#) [00-054007-70248-1](#) [00-054007-70256-6](#) [00-054007-70301-3](#) [00-054007-70316-7](#) [00-054007-49560-4](#) [00-054007-70209-2](#) [00-054007-70225-2](#) [00-054007-70227-6](#) [00-054007-70231-3](#) [00-054007-70241-2](#) [00-054007-70242-9](#) [00-054007-70244-3](#) [00-054007-70246-7](#) [00-054007-70263-4](#) [00-054007-70288-7](#) [00-054007-70290-0](#) [00-054007-70300-6](#) [00-054007-70304-4](#) [01-2065-1-0216](#) [01-2900-1-04412](#) [00581P0075](#) [600TS-10](#) [60205-1](#) [604200-1](#) [605601-1](#) [60598-1-CUT-TAPE](#) [61314-6-C](#) [61810-3](#) [61-S](#) [61-SN](#) [626-0194](#) [62-NBM-A](#) [62-SN](#) [62-SP](#) [63-S](#) [640179-1](#) [M55155/059I03](#) [M55155/079C01](#) [M55155/099H02](#) [M55155/109H01](#) [M55155/109H02](#) [M55155/12XH05](#) [M55155/16XH02](#) [M55155/29-5S](#)