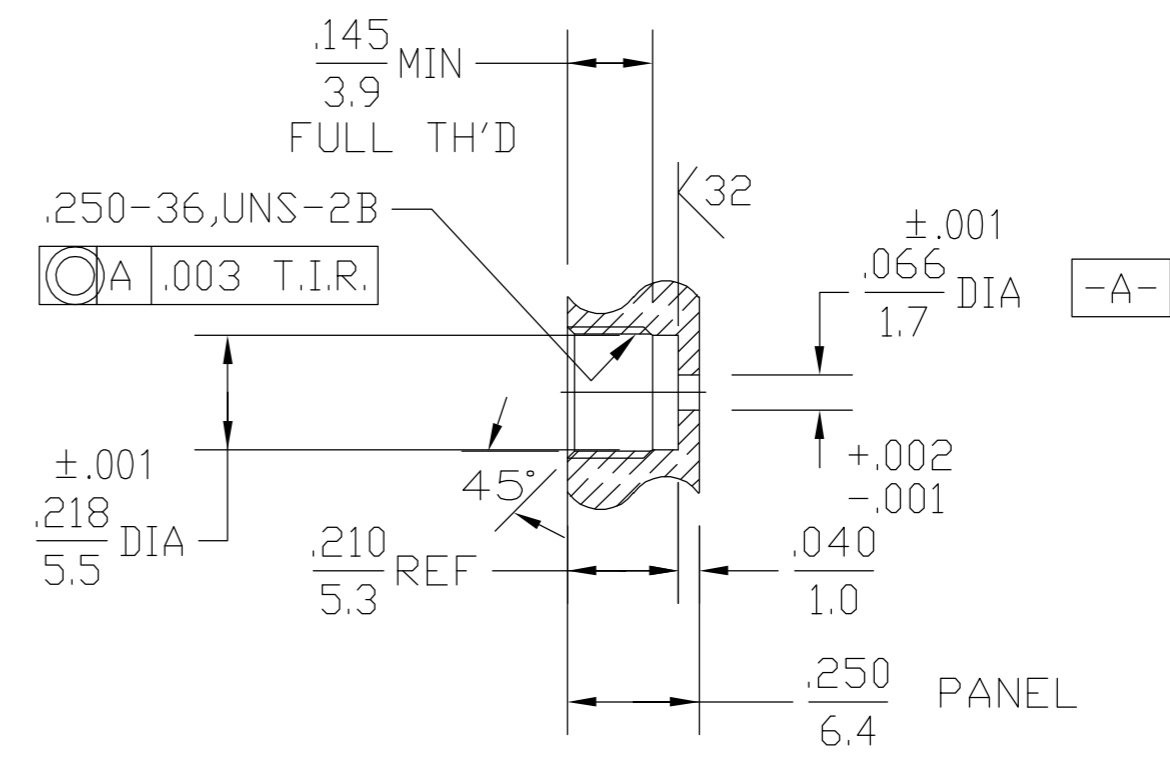
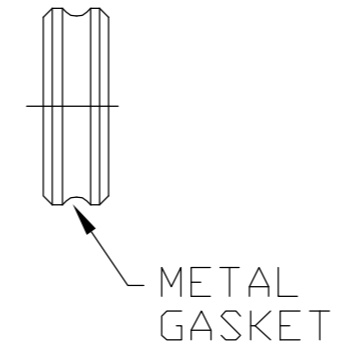
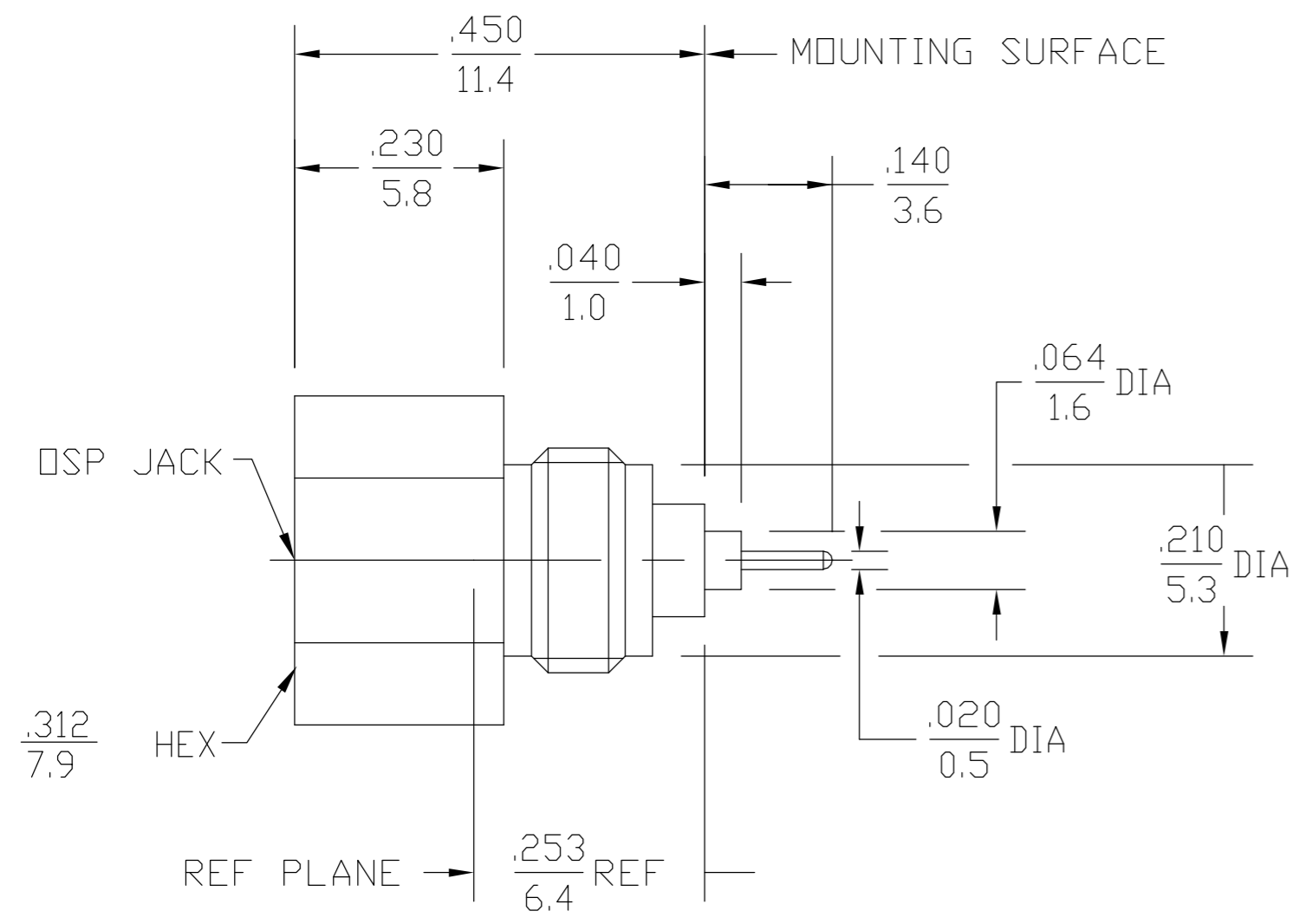


THIS DRAWING IS UNPUBLISHED. RELEASED FOR PUBLICATION
 © COPYRIGHT BY TYCO ELECTRONICS CORPORATION. ALL RIGHTS RESERVED.

LOC		DIST		REVISIONS					
AJ		17		P	LTR	DESCRIPTION	DATE	DWN	APVD
				0		RELEASED	13JAN2006	KS	JGH

1. SEE INSTRUCTION SHEET 408-8288



RECOMMENDED MOUNTING HOLE

ELECTRICAL	MECHANICAL	ENVIRONMENTAL	HOUSING BUSHING	MATERIAL	FINISH
Nominal Impedance (Ohms) 50	Interface Dimensions per MIL-STD-348A Fig 321.2	TEMPERATURE RATING -65° TO +125°C	STAINLESS STEEL PER ASTM-A484 AND ASTM-A582, TYPE 303	PASSIVATE PER ASTM A 380	
Frequency Range (GHz) DC to 18	Mating Characteristics:	Vibration MIL-STD-202, Method 204, Condition D, 20G's	DIELECTRIC TFE FLUOROCARBON PER ASTM-D-1710	N/A	
Volt Rating (VRMS MAX) @ Sea Level 335	Insertion (MAX Lbs) 3	Shock MIL-STD-202, Method 213, Condition I, 100G's	CENTER CONTACT BERYLLIUM COPPER PER ASTM B 196	GOLD PLATE PER ASTM B 488	
VSWR 1.04+.009f(GHz)	Withdrawal (MIN Oz) 1	Thermal Shock MIL-STD-202, Method 102, Condition C	CONTACT RING SHIM BERYLLIUM COPPER PER ASTM B 194	GOLD PLATE PER ASTM B 488	
Insertion Loss (dB MAX) .05x√f(GHz)	Force to Engage (Lbs MAX) 3.0 & Disengage (Lbs MAX) 1.5	Moisture Resistance MIL-STD-202, Method 106	CONTACT SLEEVE BERYLLIUM COPPER PER ASTM B 194	GOLD PLATE PER ASTM B 488	
RF Leakage (dB MIN) (Interface Only, Fully Mated) -(90-f(GHz))	Center Contact Captivation Axial (Lbs MIN) 6.0	Corrosion - MIL-STD-202, Method 101, Condition B	BUSHING CONTACT EXT IRON-NICKEL-COBALT ALLOY PER MIL-I-23011, CLASS 1 (KOVAR)D	GOLD PLATE PER ASTM B 488	
Corona, 70,000 Ft (VRMS MIN) 335	Weight (Grams) TBD	Hermetic Seal Leak Rate (@ 1 Atm) 1 x 10 ⁻⁸ cc/sec	METAL GASKET KOVAR	SILVER PLATE PER ASTM B 700	
Dielectric Withstanding Voltage (VRMS MIN) @ Sea Level 1,000			GLASS SEAL GLASS BEAD	N/A	
Contact Resistance (Milliohms MAX) Center Contact 10.0 Outer Contact 2.0			COMPONENT		
RF High Potential @ Sea Level (VRMS MIN @ 5 MHz) 1,000					
I.R.(Megohms MIN) 5,000					
		.XXX = in XX.X = mm (REF)			

6059674-1
PART NUMBER

THIS DRAWING IS A CONTROLLED DOCUMENT.

DWN DK SCHRUM 13JAN2006	Tyco Electronics Corporation Harrisburg, PA 17105-3608		
CHK JG HAVENER 13JAN2006			
APVD JG HAVENER 13JAN2006			
PRODUCT SPEC			
DIMENSIONS: INCHES[mm]	TOLERANCES UNLESS OTHERWISE SPECIFIED:	NAME	OSP PANEL FEEDTHRU, JACK RECEPTACLE, HERMETICALLY SEALED (4558-5335-02)
0 PLC ± -	1 PLC ± -	SIZE	A2
2 PLC ± .005[0.13]	3 PLC ± -	CAGE CODE	00779
4 PLC ± -	ANGLES ± 1°	DRAWING NO	C=6059674
MATERIAL SEE TABLE	FINISH SEE TABLE	RESTRICTED TO	-
		WEIGHT	-
		CUSTOMER DRAWING	SCALE NTS SHEET 1 of 1 REV 0

X-ON Electronics

Largest Supplier of Electrical and Electronic Components

Click to view similar products for [RF Connectors](#) / [Coaxial Connectors](#) category:

Click to view products by [TE Connectivity](#) manufacturer:

Other Similar products are found below :

[8915-1511-000](#) [89674-0827](#) [6001-7071-019](#) [6002-7051-003](#) [6002-7551-202](#) [6059674-1](#) [619550-1](#) [630059-000](#) [M39030/3-01N](#) [6500-7071-046](#) [6769](#) [CX050L2AQ](#) [7002-1542-011](#) [7004-1512-000](#) [7009-1511-004](#) [7010-1511-000](#) [7029-1511-060](#) [7101-1541-010](#) [7101-1571-002](#) [7105-1521-002](#) [7145-1521-002](#) [7203-1571-003](#) [7209-1511-011](#) [7210-1511-015](#) [7210-1511-019](#) [73137-5015](#) [73216-2241](#) [73404-2300](#) [7405-1521-005](#) [7405-1521-802](#) [8527](#) [8547](#) [FS11V](#) [877931](#) [9049-9513-000](#) [9074-9513-000](#) [9101-9573-002](#) [910A205F](#) [9130-9573-002](#) [PL11SC-026](#) [PL375-33](#) [PL40-5](#) [PL74C-221](#) [PL75MC-217](#) [PL803-7](#) [1200690078](#) [1-201144-1](#) [R107003010W](#) [R110A172100](#) [R112186000](#)