

4

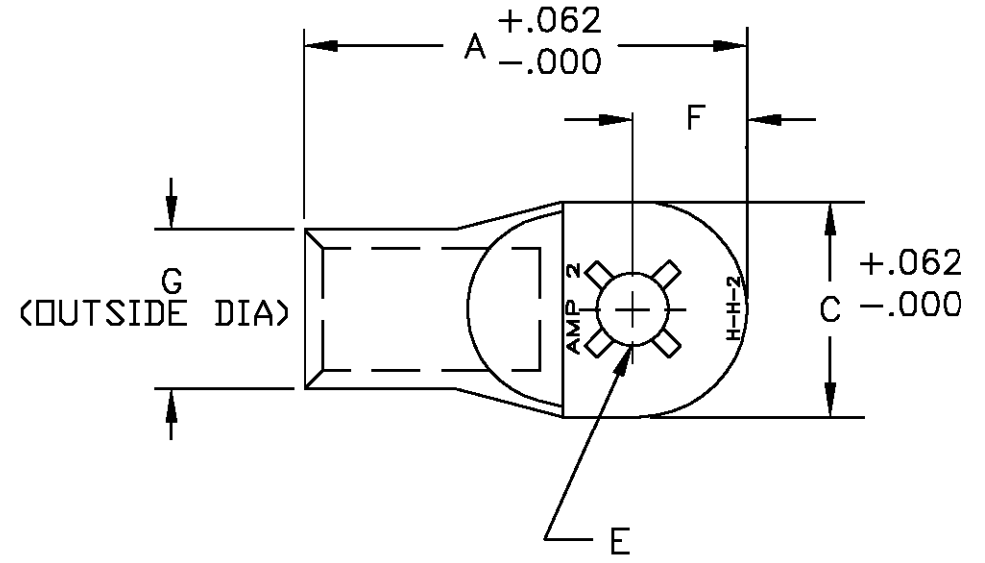
3

2

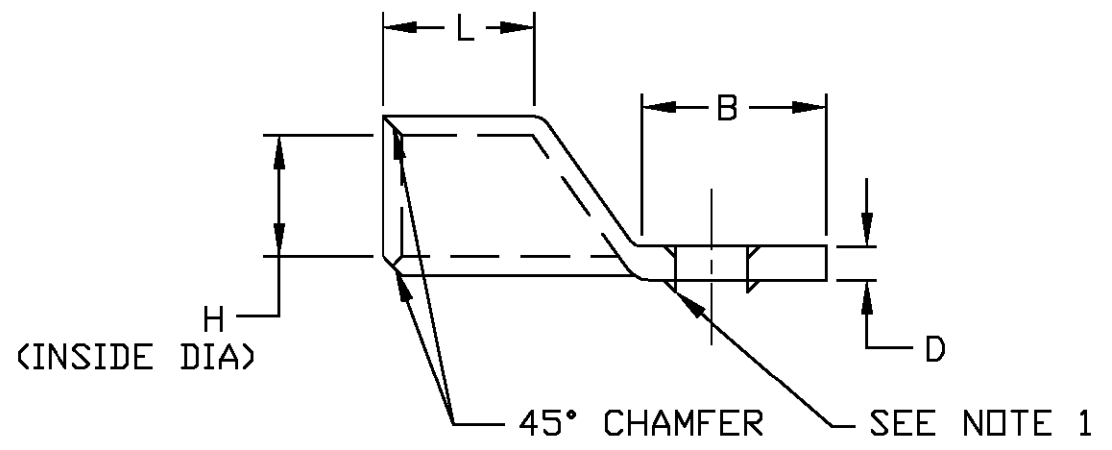
1

THIS DRAWING IS UNPUBLISHED. RELEASED FOR PUBLICATION .19  
 © COPYRIGHT 19 BY AMP INCORPORATED. ALL RIGHTS RESERVED.

LOC	DIST	REVISIONS					
AA	27	P	LTR	DESCRIPTION	DATE	DWN	APVD
		B		REDWN & REV; OG1Z-0042-99	12MAY00	LH	LS



1. LOCKING LANCE FOR -3 ONLY.



.375	.75	.375	.516	.438	Ø.391	.135	.750	1.00	2.14	606290-5
.500	.75	.375	.516	.500	Ø.516	.135	.859	1.150	2.25	606290-4
.375	.75	.375	.516	.438	Ø.391	.135	.719	1.00	2.14	606290-3
.312	.75	.375	.516	.438	Ø.328	.135	.719	.94	2.14	606290-2
.250	.75	.375	.516	.438	Ø.266	.135	.719	.94	2.14	606290-1
BOLT HOLE SIZE	L	H	G	F	E	D	C	B	A	PART NUMBER

THIS DRAWING IS A CONTROLLED DOCUMENT.		DWN L. HALL 18APR00	AMP Incorporated Harrisburg PA 17105-3608	
DIMENSIONS: INCHES		CHK L.H. SMITH 12MAY00		
TOLERANCES UNLESS OTHERWISE SPECIFIED:		APVD B. ANTHONY 12MAY00	NAME AMP TUBULAR TERMINAL 2 AWG	
		PRODUCT SPEC	APPLICATION SPEC	
MATERIAL HIGH CONDUCTIVITY WROUGHT COPPER		FINISH ELECTRO TIN PLATE	WEIGHT	RESTRICTED TO
0 PLC ± 1 PLC ± 2 PLC ±.02 3 PLC ±.005 4 PLC ±.0005 ANGLES ±.3°		SIZE A3 CAGE CODE 00779 DRAWING NO ©=606290		SCALE NTS SHEET 1 OF 1 REV B
CUSTOMER DRAWING				

## X-ON Electronics

Largest Supplier of Electrical and Electronic Components

*Click to view similar products for [Terminals](#) category:*

*Click to view products by [TE Connectivity](#) manufacturer:*

Other Similar products are found below :

[00-054007-01074-6](#) [00-054007-70206-1](#) [00-054007-70210-8](#) [00-054007-70217-7](#) [00-054007-70226-9](#) [00-054007-70228-3](#) [00-054007-70248-1](#) [00-054007-70256-6](#) [00-054007-70301-3](#) [00-054007-70316-7](#) [0-0320562-0](#) [00-054007-49560-4](#) [00-054007-70209-2](#) [00-054007-70225-2](#) [00-054007-70227-6](#) [00-054007-70231-3](#) [00-054007-70241-2](#) [00-054007-70242-9](#) [00-054007-70244-3](#) [00-054007-70246-7](#) [00-054007-70263-4](#) [00-054007-70288-7](#) [00-054007-70290-0](#) [00-054007-70300-6](#) [00-054007-70304-4](#) [01-2065-1-0216](#) [01-2900-1-04412](#) [00581P0075](#) [600TS-10](#) [60205-1](#) [604200-1](#) [605601-1](#) [60598-1-CUT-TAPE](#) [61314-6-C](#) [61810-3](#) [61-S](#) [61-SN](#) [626-0194](#) [62-NBM-A](#) [62-SN](#) [62-SP](#) [63-S](#) [640179-1](#) [M55155/059I03](#) [M55155/079C01](#) [M55155/099H02](#) [M55155/109H01](#) [M55155/109H02](#) [M55155/12XH05](#) [M55155/16XH02](#)