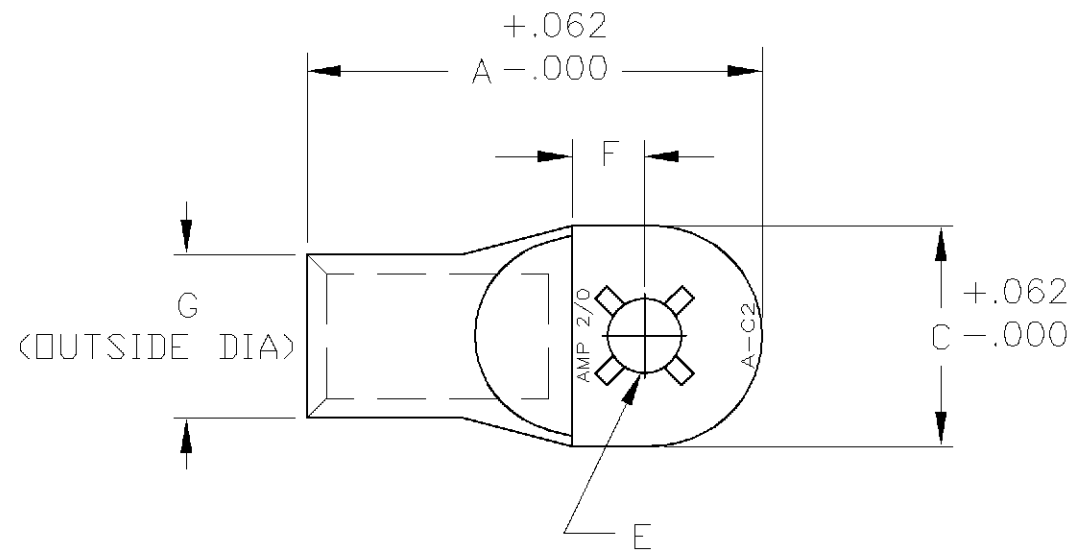
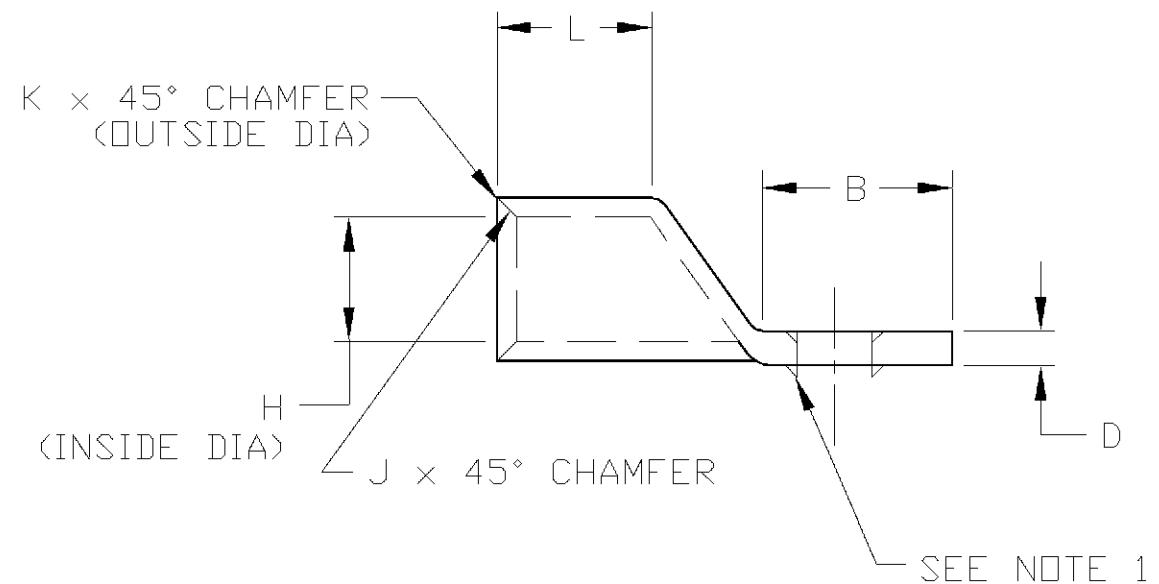


THIS DRAWING IS UNPUBLISHED. RELEASED FOR PUBLICATION .19
 © COPYRIGHT 19 BY AMP INCORPORATED. ALL RIGHTS RESERVED.

LOC	DIST	REVISIONS				
P	LTR	DESCRIPTION	DATE	DWN	APVD	
AA	27	F	REDWN & REV; OG1Z-0010-99	12MAY00	LMH LHS	



1. LOCKING LANCE FOR P/N -1 ONLY



.375	.850	.016	.031	.490	.650	.565	∅.39	.170	.925	1.080	2.25	606296-3
.500	.850	.016	.031	.490	.650	.565	∅.515	.170	.925	1.080	2.25	606296-2
.375	.850	.016	.031	.490	.650	.565	∅.39	.170	.925	1.080	2.25	606296-1
BOLT HOLE SIZE	L	K	J	H	G	F	E	D	C	B	A	PART NUMBER

DIMENSIONS, INCHES

THIS DRAWING IS A CONTROLLED DOCUMENT.		DWN L. HALL 18APR00	AMP Incorporated Harrisburg PA 17105-3608											
DIMENSIONS: INCHES		CHK L.H. SMITH 12MAY00												
TOLERANCES UNLESS OTHERWISE SPECIFIED:		APVD B. ANTHONY 12MAY00												
<table border="1"> <tr><td>0 PLC</td><td>±</td></tr> <tr><td>1 PLC</td><td>±</td></tr> <tr><td>2 PLC</td><td>± .02</td></tr> <tr><td>3 PLC</td><td>± .005</td></tr> <tr><td>4 PLC</td><td>± .0005</td></tr> <tr><td>ANGLES</td><td>± 3'</td></tr> </table>		0 PLC		±	1 PLC	±	2 PLC	± .02	3 PLC	± .005	4 PLC	± .0005	ANGLES	± 3'
0 PLC	±													
1 PLC	±													
2 PLC	± .02													
3 PLC	± .005													
4 PLC	± .0005													
ANGLES	± 3'													
		PRODUCT SPEC	SIZE A3											
MATERIAL HIGH CONDUCTIVITY WROUGHT COPPER		APPLICATION SPEC	CAGE CODE 00779											
FINISH ELECTRO TIN PLATE		WEIGHT -	DRAWING NO C-606296											
		CUSTOMER DRAWING	RESTRICTED TO											
		SCALE NTS	SHEET 1 OF 1											
			REV F											

X-ON Electronics

Largest Supplier of Electrical and Electronic Components

Click to view similar products for [Terminals](#) category:

Click to view products by [TE Connectivity](#) manufacturer:

Other Similar products are found below :

[00-054007-01074-6](#) [00-054007-70206-1](#) [00-054007-70210-8](#) [00-054007-70217-7](#) [00-054007-70226-9](#) [00-054007-70228-3](#) [00-054007-70248-1](#) [00-054007-70256-6](#) [00-054007-70301-3](#) [00-054007-70316-7](#) [00-054007-49560-4](#) [00-054007-70209-2](#) [00-054007-70225-2](#) [00-054007-70227-6](#) [00-054007-70231-3](#) [00-054007-70241-2](#) [00-054007-70242-9](#) [00-054007-70244-3](#) [00-054007-70246-7](#) [00-054007-70263-4](#) [00-054007-70288-7](#) [00-054007-70290-0](#) [00-054007-70300-6](#) [00-054007-70304-4](#) [01-2065-1-0216](#) [01-2900-1-04412](#) [00581P0075](#) [600TS-10](#) [60205-1](#) [604200-1](#) [605601-1](#) [60598-1-CUT-TAPE](#) [61314-6-C](#) [61810-3](#) [61-S](#) [61-SN](#) [626-0194](#) [62-NBM-A](#) [62-SN](#) [62-SP](#) [63-S](#) [640179-1](#) [M55155/059I03](#) [M55155/079C01](#) [M55155/099H02](#) [M55155/109H01](#) [M55155/109H02](#) [M55155/12XH05](#) [M55155/16XH02](#) [M55155/29-5S](#)