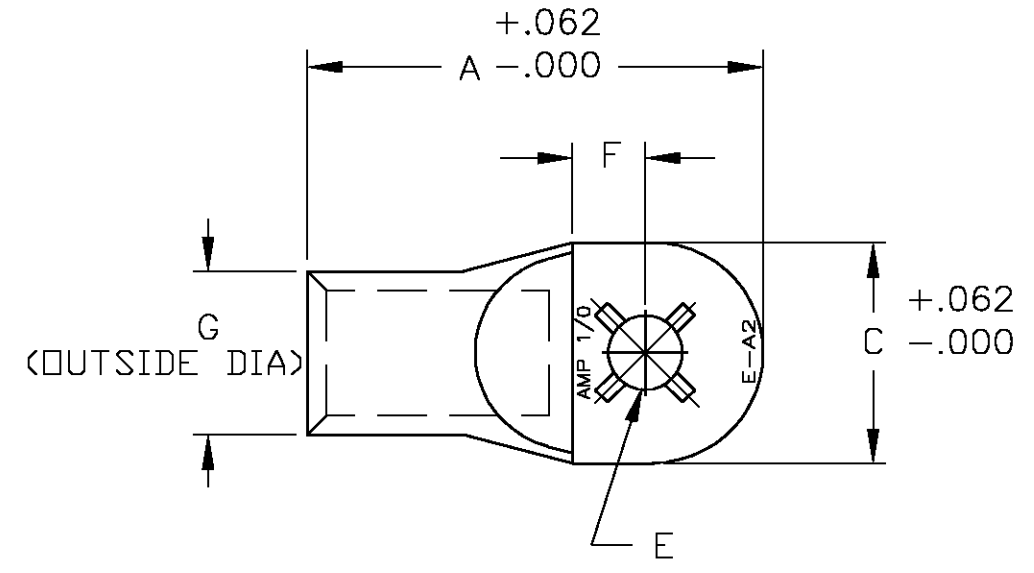
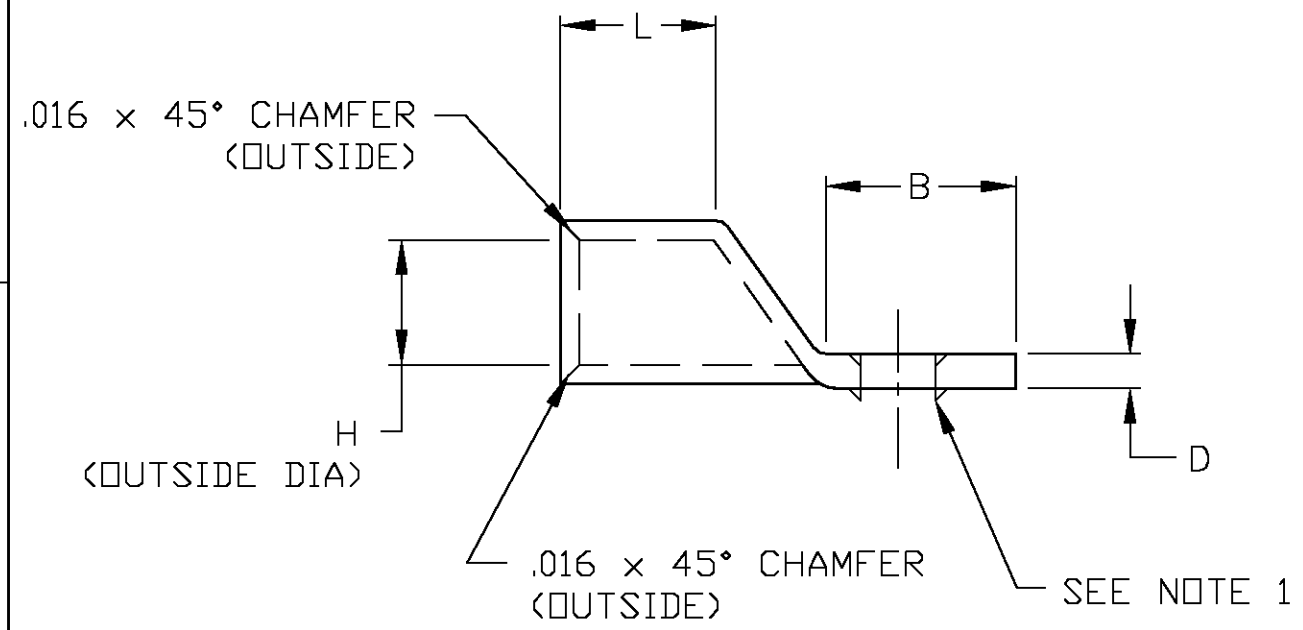


THIS DRAWING IS UNPUBLISHED. RELEASED FOR PUBLICATION
 © COPYRIGHT BY TYCO ELECTRONICS CORPORATION. ALL RIGHTS RESERVED.

LOC AA	DIST 27	REVISIONS			
P	LTR	DESCRIPTION	DATE	DWN	APVD
	C	REV PER 0G3A-0088-05	01JUN05	JR	MS



1. LOCKING LANCE FOR P/N -2 AND -7 ONLY.



	.250	.750	.469	.609	.438	$\phi.266$.141	.86	.938	2.125	606716-7
OBSOLETE	.250	.750	.469	.609	.438	$\phi.266$.141	.86	.938	2.125	606716-6
	.375	.750	.469	.609	.438	$\phi.391$.141	.86	.938	2.125	606716-5
	.500	.750	.469	.609	.500	$\phi.516$.141	.86	.938	2.125	606716-4
OBSOLETE	.438	.750	.469	.609	.438	$\phi.453$.141	.86	.938	2.125	606716-3
	.375	.750	.469	.609	.438	$\phi.391$.141	.86	.938	2.125	606716-2
	.312	.750	.469	.609	.438	$\phi.328$.141	.86	.938	2.125	606716-1
BOLT HOLE SIZE	L	H	G	F	E	D	C	B	A	PART NUMBER	
DIMENSIONS, INCHES											

THIS DRAWING IS A CONTROLLED DOCUMENT.		DWN L. HALL 18APR00	Tyco Electronics Corporation Harrisburg, Pa 17105-3608	
DIMENSIONS: INCHES		CHK L.H. SMITH 12MAY00		
TOLERANCES UNLESS OTHERWISE SPECIFIED:		APVD B. ANTHONY 12MAY00	NAME AMP TUBULAR TERMINAL 1/0 (ROUND TONGUE)	
0 PLC \pm 1 PLC \pm 2 PLC $\pm .02$ 3 PLC $\pm .005$ 4 PLC $\pm .0005$ ANGLES $\pm 3'$		PRODUCT SPEC	RESTRICTED TO	
MATERIAL HIGH CONDUCTIVITY WROUGHT COPPER		FINISH ELECTRO TIN PLATE	APPLICATION SPEC	SIZE A3
		WEIGHT -	CAGE CODE 00779	DRAWING NO C-606716
CUSTOMER DRAWING			SCALE 1:1	SHEET 1 OF 1
			REV C	

X-ON Electronics

Largest Supplier of Electrical and Electronic Components

Click to view similar products for [Terminals](#) category:

Click to view products by [TE Connectivity](#) manufacturer:

Other Similar products are found below :

[00-054007-01074-6](#) [00-054007-70206-1](#) [00-054007-70210-8](#) [00-054007-70217-7](#) [00-054007-70226-9](#) [00-054007-70228-3](#) [00-054007-70248-1](#) [00-054007-70256-6](#) [00-054007-70301-3](#) [00-054007-70316-7](#) [00-054007-49560-4](#) [00-054007-70209-2](#) [00-054007-70225-2](#) [00-054007-70227-6](#) [00-054007-70231-3](#) [00-054007-70241-2](#) [00-054007-70242-9](#) [00-054007-70244-3](#) [00-054007-70246-7](#) [00-054007-70263-4](#) [00-054007-70288-7](#) [00-054007-70290-0](#) [00-054007-70300-6](#) [00-054007-70304-4](#) [01-2065-1-0216](#) [01-2900-1-04412](#) [00581P0075](#) [600TS-10](#) [60205-1](#) [604200-1](#) [605601-1](#) [60598-1-CUT-TAPE](#) [61314-6-C](#) [61810-3](#) [61-S](#) [61-SN](#) [626-0194](#) [62-NBM-A](#) [62-SN](#) [62-SP](#) [63-S](#) [640179-1](#) [M55155/059I03](#) [M55155/079C01](#) [M55155/099H02](#) [M55155/109H01](#) [M55155/109H02](#) [M55155/12XH05](#) [M55155/16XH02](#) [M55155/29-5S](#)