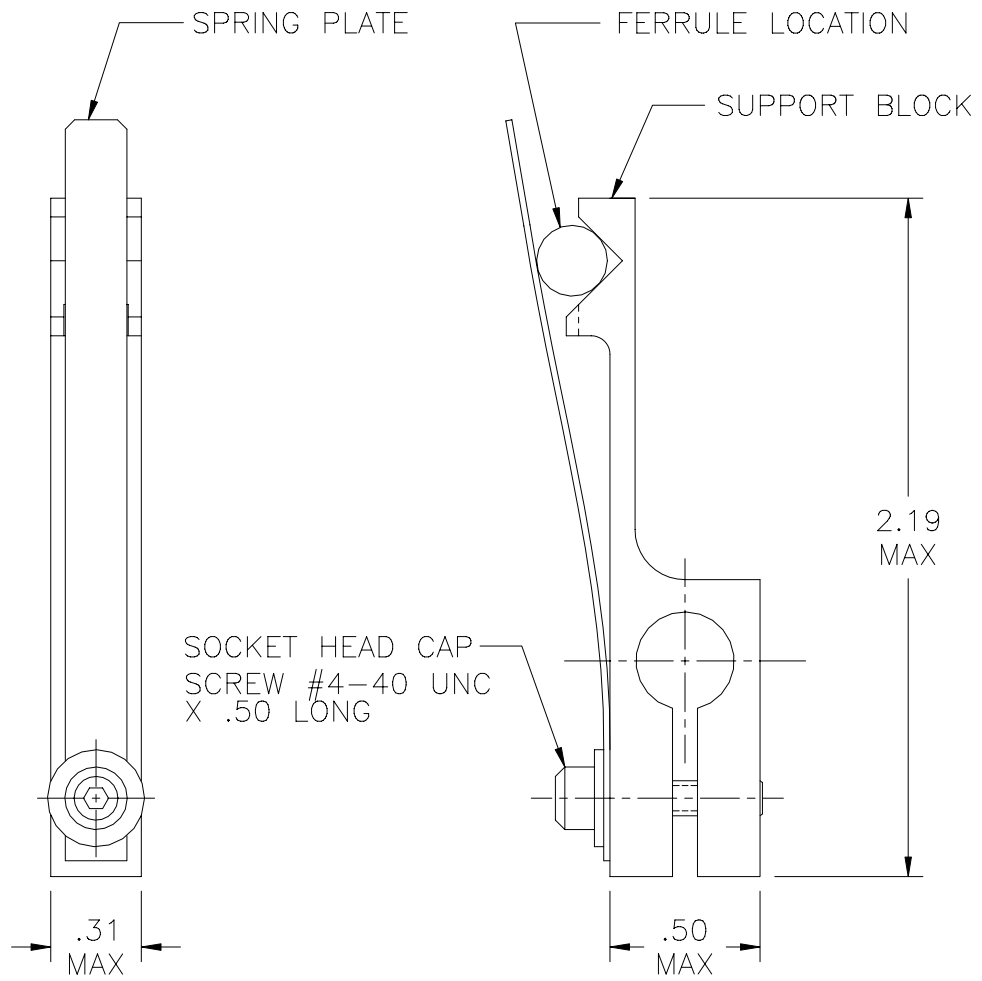


| REVISIONS |   |        |          |
|-----------|---|--------|----------|
| LTR       | DESCRIPTION                                 | DATE   | APPROVED |
| A         | REDRAWN/REFORMATED IN ENGLISH, DCR #T986008 | 6/3/98 | GMR      |



NOTES:

1. THIS SUPPORT DEVICE IS DESIGNED FOR USE DURING TERMINATION OF A SOLDERSHIELD DEVICE TO A HEXASHIELD FERRULE. IT IS TO BE USED IN CONJUNCTION WITH THE AD-1319 HOLDING FIXTURE. REFER TO THE APPLICABLE PROCEDURES FOR INSTALLATION INSTRUCTIONS.

SPECIFICATION CONTROL DRAWING

|   |                       |                       |                          |   |              |  |
|---|-----------------------|-----------------------|--------------------------|---|--------------|--|
| UNLESS OTHERWISE SPECIFIED DIMENSIONS ARE IN INCHES. METRIC DIMENSIONS ARE IN BRACKETS.<br><br>DECIMALS<br>.XXX ± — [ mm ]<br>.XX ± — [ mm ]<br>.X ± — [ mm ]<br><br>ANGLES<br>.X ± — | DRAWN<br>G.ROSITANO   | DATE<br>6/1/98        |                          | RAYCHEM CORPORATION<br>300 CONSTITUTION DRIVE<br>MENLO PARK, CALIFORNIA 94025 |              |  |
|   | CHECKED               | DATE                  |                          | TITLE<br>HOLDING FIXTURE ASSEMBLY   |              |  |
|   | APPROVED              | DATE                  |                          |   |              |  |
|   | APPROVED<br>E.STADLER | DATE<br>6/3/98        |                          |   |              |  |
| CAD NAME<br>188SCD  |                       | SIZE<br>A             | CODE IDENT. NO.<br>06090 | DWG. NO.<br>ECE-0188  | REV<br>A     |  |
| THIRD ANGLE PROJECTION<br>  |                       | DO NOT SCALE THIS DWG |                          | SCALE 2:1   | SHEET 1 OF 1 |  |

## X-ON Electronics

Largest Supplier of Electrical and Electronic Components

*Click to view similar products for [Solder](#) category:*

*Click to view products by [TE Connectivity](#) manufacturer:*

Other Similar products are found below :

[91362-6](#) [24-6040-0007](#) [24-7150-8800](#) [24-9574-7619](#) [24-4060-2437](#) [14-6040-0125](#) [04-0595-0000](#) [9SN-310G](#) [5901004](#) [5901006](#) [8001111](#)  
[ECC179707EU](#) [SMDLTLFP250T5](#) [41-096-0201N](#) [41-096-0242N](#) [ART.AGT-030](#) [8001263](#) [8001265](#) [389289](#) [54068](#) [0008752](#) [04-6040-0050](#)  
[580140](#) [H560103-BULK](#) [H560106-BULK](#) [TDS12AS](#) [5601380](#) [BON-102](#) [BON-102F](#) [BON-102K](#) [BON-102S](#) [BR-102F](#) [560017A](#) [560048](#)  
[560051](#) [560069W-LF](#) [5601034](#) [5601053](#) [5601056](#) [5601058](#) [5601157](#) [5601161](#) [5601170](#) [8001092](#) [5601243](#) [0401-08-000179](#) [5601247](#)  
[0401-08-000183](#) [5601277](#) [5601376](#) [JD927](#) [JD927-10](#)