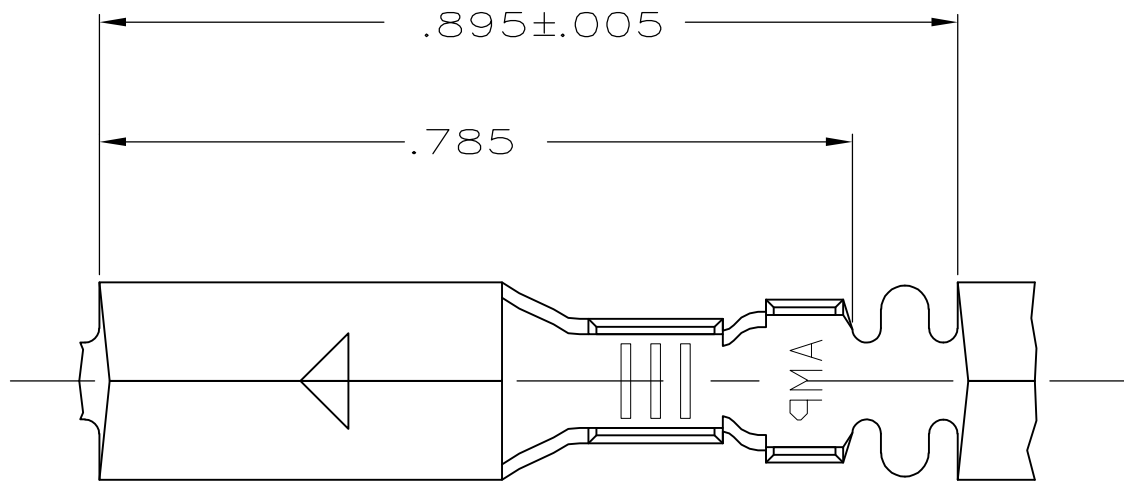
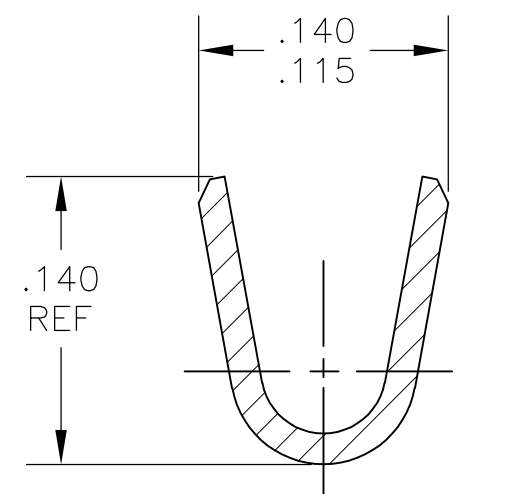
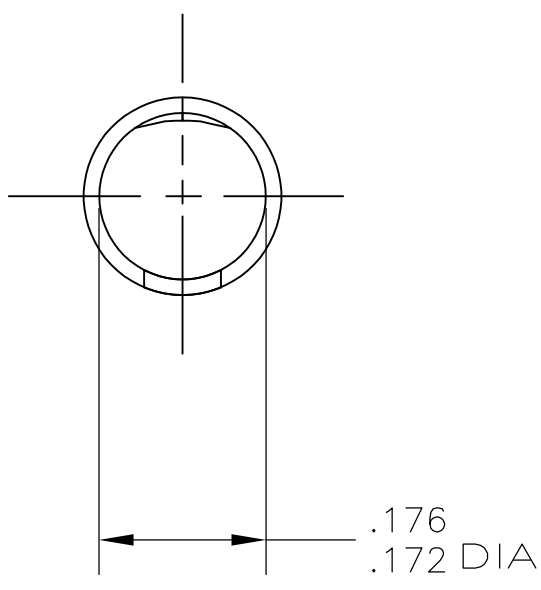
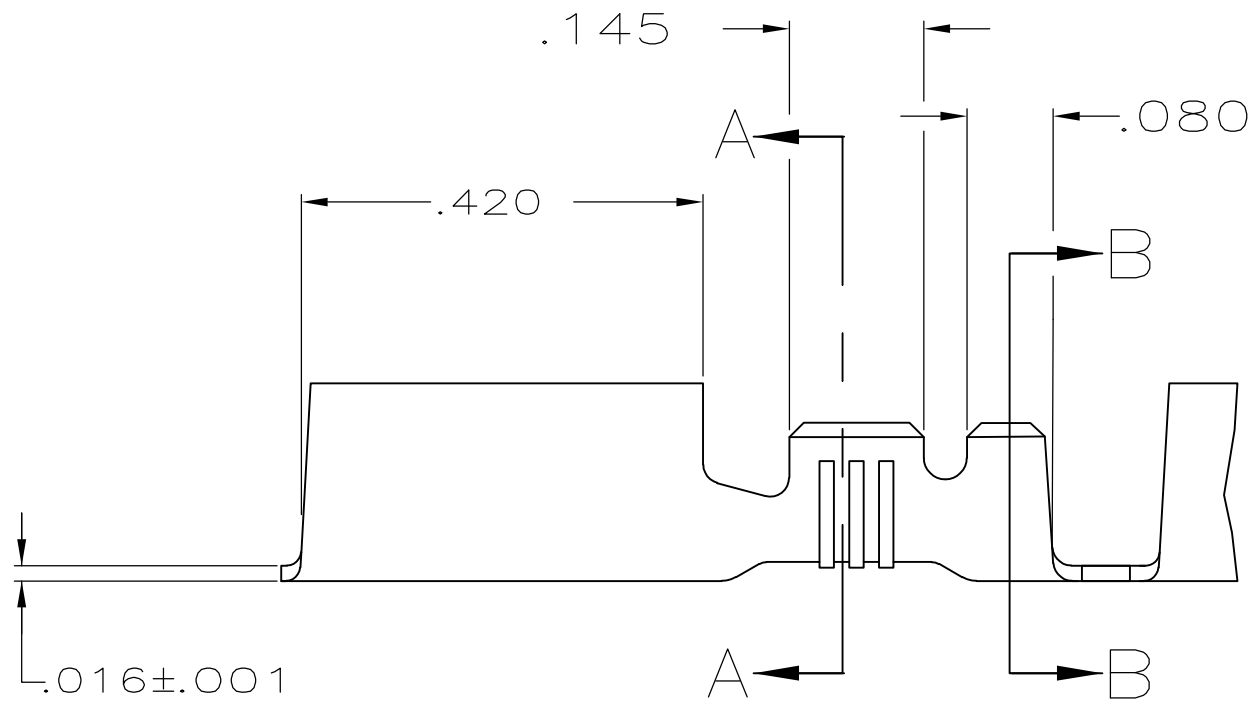


THIS DRAWING IS UNPUBLISHED. RELEASED FOR PUBLICATION
 © COPYRIGHT - By - ALL RIGHTS RESERVED.

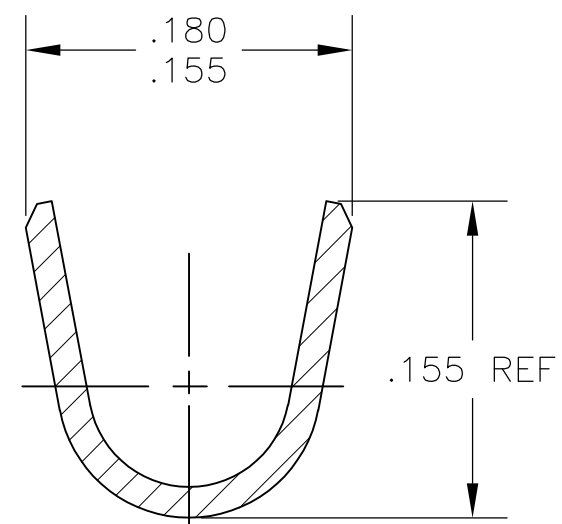
LOC	DIST	REVISIONS			
P	LTR	DESCRIPTION	DATE	DWN	APVD
AF	50	S2	REVISED PER ECO-11-004917	11MAR11	RK HMR



- 1 CONTINUOUS STRIP ON REELS
- △2 TIN PL .000080 MIN PER MIL-T-10727
- △3 .000080 MIN TIN PLATE PER MIL-T-10727 OVER .000050 MIN NICKEL UNDERPLATE PER QQ-N-290.
- △4 .000030 MIN GOLD PLATE OVER .000050 MIN NICKEL UNDERPLATE PER QQ-N-290.
- △5 .000200 MIN SILVER OVER .000050 MIN NICKEL UNDERPLATE PER QQ-N-290
- 6 WIRE SIZE IS #18-#14 AWG
- 7 INSULATION RANGE IS .090-.125 DIA
- △8 PREPRODUCTION - FASR REQ
- △9 PRELIMINARY - NOT FOR PRODUCTION
- △10 OBSOLETE PARTS: OBSOLETE CIS STREAMLINING PER D.RENAUD/D.SINISI



SECTION A-A
SCALE 10:1



SECTION B-B
SCALE 10:1

△10 OBSOLETE	△5	△9	60798-8
	△4	△8	60798-7
	△3		60798-6
	△2		60798-4
	-		60798-2
	FINISH		PART NO.

TYPE	WIDTH	STRIP LENGTH ±.015	TYPE	WIDTH	±.002 HEIGHT	WIRE
F OR O	.140	.210	F	.100	.077	14
					.067	16
					.061	18
INSUL BARREL CRIMP			WIRE BARREL CRIMP			

THIS DRAWING IS A CONTROLLED DOCUMENT.

DWN P FORTNEY 12/13/88	 TE Connectivity
CHK MS FEHER 6/14/89	
APVD D DECKER 6/14/89	
PRODUCT SPEC	
MATERIAL #4 HARD BRASS	FINISH SEE TABLE
DIMENSIONS: INCHES TOLERANCES UNLESS OTHERWISE SPECIFIED: 0 PLC ± - 1 PLC ± - 2 PLC ± - 3 PLC ± .015 4 PLC ± - ANGLES ± -	
APPLICATION SPEC WEIGHT - CUSTOMER DRAWING	
NAME RECEPTACLE, SHUR PLUG, .180 DIA SIZE A2 CAGE CODE 00779 C=60798 DRAWING NO 60798 RESTRICTED TO - SCALE 5:1 SHEET 1 of 1 REV S2	

X-ON Electronics

Largest Supplier of Electrical and Electronic Components

Click to view similar products for [Terminals](#) category:

Click to view products by [TE Connectivity](#) manufacturer:

Other Similar products are found below :

[00-054007-01074-6](#) [00-054007-70206-1](#) [00-054007-70210-8](#) [00-054007-70217-7](#) [00-054007-70226-9](#) [00-054007-70228-3](#) [00-054007-70248-1](#) [00-054007-70256-6](#) [00-054007-70301-3](#) [00-054007-70316-7](#) [0-0320562-0](#) [00-054007-49560-4](#) [00-054007-70209-2](#) [00-054007-70225-2](#) [00-054007-70227-6](#) [00-054007-70231-3](#) [00-054007-70241-2](#) [00-054007-70242-9](#) [00-054007-70244-3](#) [00-054007-70246-7](#) [00-054007-70263-4](#) [00-054007-70288-7](#) [00-054007-70290-0](#) [00-054007-70300-6](#) [00-054007-70304-4](#) [01-2065-1-0216](#) [01-2900-1-04412](#) [00581P0075](#) [600TS-10](#) [60205-1](#) [604200-1](#) [605601-1](#) [60598-1-CUT-TAPE](#) [61314-6-C](#) [61810-3](#) [61-S](#) [61-SN](#) [626-0194](#) [62-NBM-A](#) [62-SN](#) [62-SP](#) [63-S](#) [640179-1](#) [M55155/059I03](#) [M55155/079C01](#) [M55155/099H02](#) [M55155/109H01](#) [M55155/109H02](#) [M55155/12XH05](#) [M55155/16XH02](#)