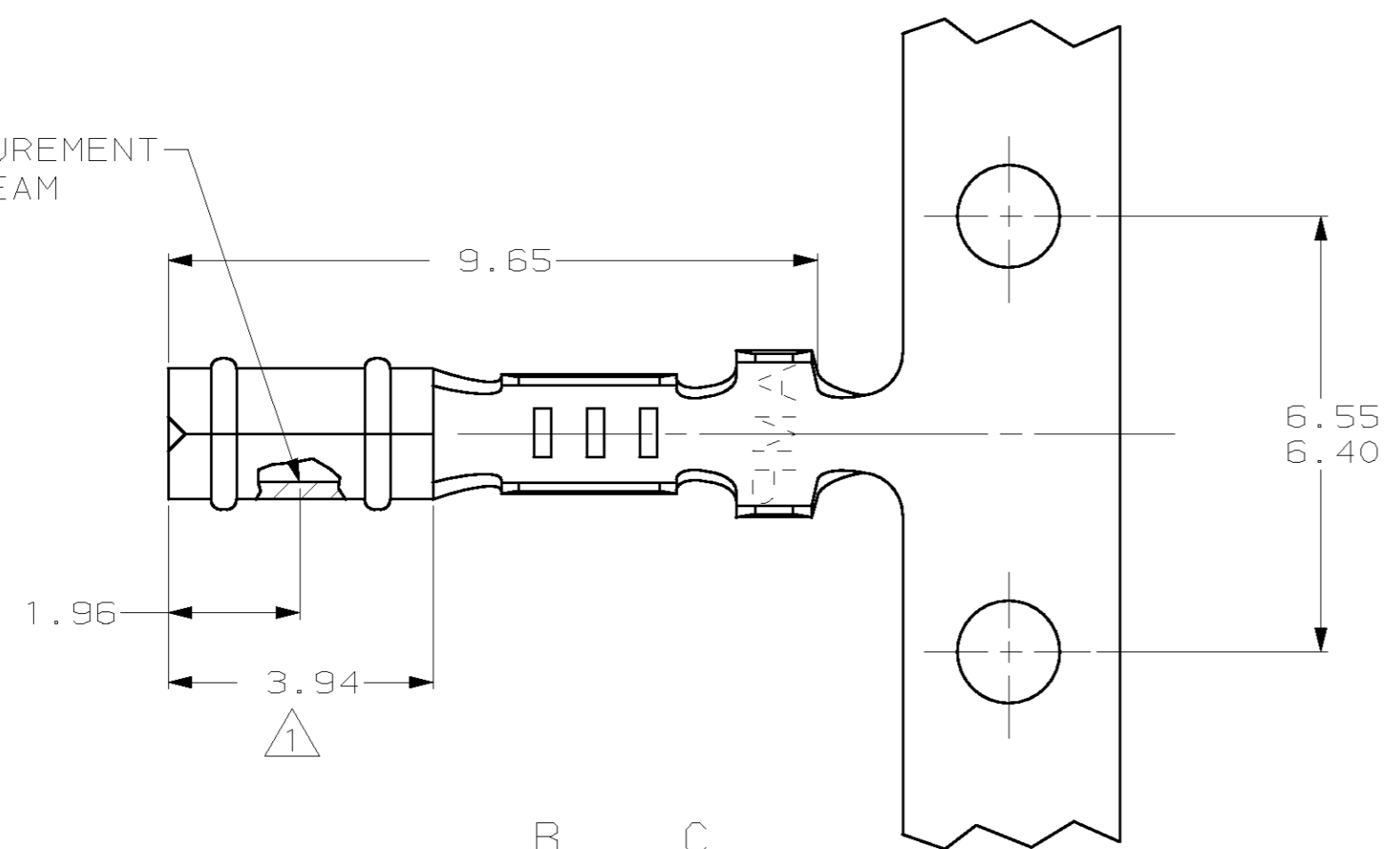


THIS DRAWING IS UNPUBLISHED. RELEASED FOR PUBLICATION  
 (C) COPYRIGHT 19 BY AMP INCORPORATED. ALL RIGHTS RESERVED.

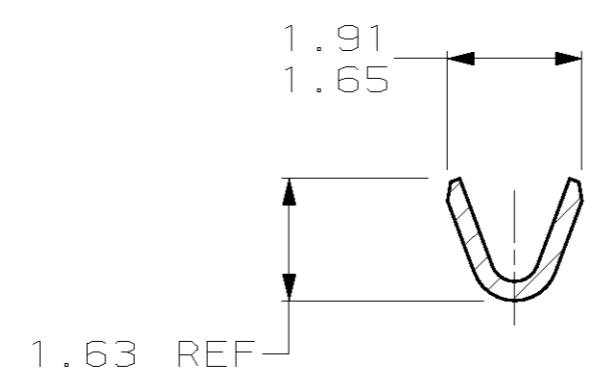
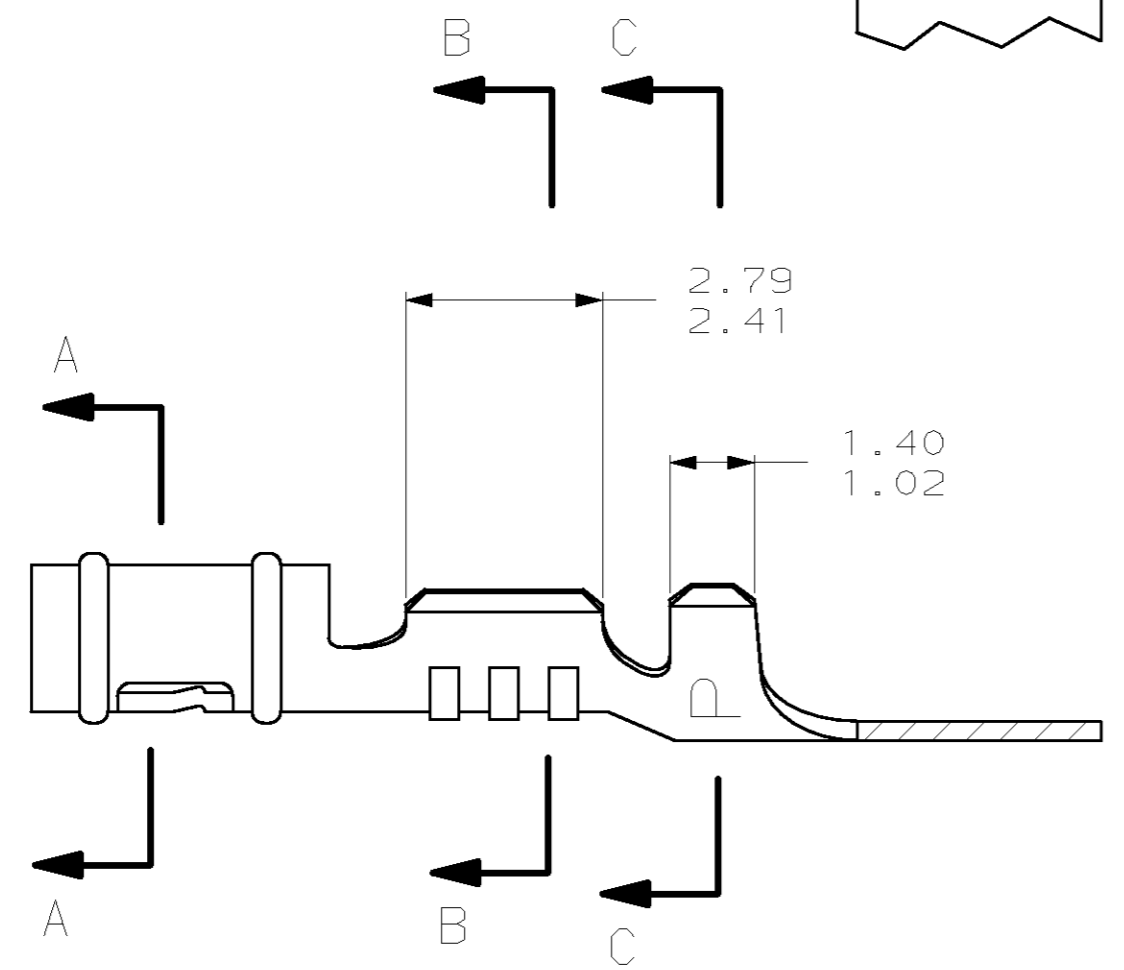
LOC	DIST	REVISIONS			
P	LTR	DESCRIPTION	DATE	DWN	APVD
CM	52	Y	REV & REDWN PER EC 0L30-0146-97	5-15-97	TB RS

- 1. 0.00076 MIN SELECTIVE GOLD PLATING ON INSIDE OF RECEPTACLE OVER NICKEL OVER ALL UNDERPLATE.
- 2. WIRE RANGE: 0.12 - 0.4 MM<sup>2</sup> (26 - 22 AWG)
- 3. INSULATION RANGE: 0.89 - 1.65
- 4. PARTS ARE REVERSED REELED. FOR USE WITH MINI APPLICATORS SEE PART NUMBER 60888.

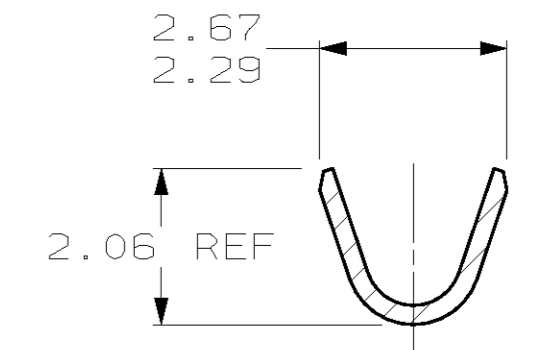
POINT OF MEASUREMENT  
 90° FROM SEAM



SECTION A-A



SECTION B-B



SECTION C-C

△	0.25 BE COPPER	60804-4
MATTE TIN	0.25 BE COPPER	60804-3
PRE-TIN	0.25 PH BRZ	60804-2
△	0.25 PH BRZ	60804-1
FINISH	MATERIAL	PART NUMBER

1.359	.0535	1.91	.075	2.79	.110	-	-
1.02	.040	1.65	.065	2.67	.105	-	-
0.89	.035	1.63	.064	2.41	.095	9.65	.380
0.25	.010	1.486	.0585	2.29	.090	6.55	.258
0.13	.005	1.47	.058	2.06	.081	6.40	.252
0.00076	.000030	1.40	.055	1.96	.077	3.94	.155
MM	IN	MM	IN	MM	IN	MM	IN

CONVERSION TABLE



THIS DRAWING IS A CONTROLLED DOCUMENT.

DIMENSIONS: mm	TOLERANCES UNLESS OTHERWISE SPECIFIED:	DWN T. BECK 5-15-97	AMP Incorporated Harrisburg, PA 17105-3608		
	0 PLC ±-	CHK R. SWING 5-15-97			
	1 PLC ±-	APVD A. BEDDICK 8-08-97			
	2 PLC ±0.13	NAME RECEPTACLE, .058 DIAMETER, 26-22 AWG, .035-.065 INSULATION, P.C. CONTACT			
	3 PLC ±-	PRODUCT SPEC 108-1025			
4 PLC ±-	APPLICATION SPEC 114-1008	SIZE A2	CAGE CODE 00779	DRAWING NO. 60804	RESTRICTED TO
MATERIAL SEE TABLE	FINISH SEE TABLE	WEIGHT -	SCALE 10:1	SHEET 1 OF 1	REV Y

CUSTOMER DRAWING

## X-ON Electronics

Largest Supplier of Electrical and Electronic Components

*Click to view similar products for [Headers & Wire Housings](#) category:*

*Click to view products by [TE Connectivity](#) manufacturer:*

Other Similar products are found below :

[95000-104TRLF](#) [10135584-644402LF](#) [DF62W-EP2022PCA](#) [95000-106TRLF](#) [DF62W-2022SCA](#) [DF62W-EP2022PC](#) [2203348](#) [DF62W-2022SC](#) [1084018](#) [1029039](#) [1084017](#) [802-10-012-10-002000](#) [1112640](#) [1112639](#) [000-34000](#) [0008550134](#) [0009482033](#) [0009507031](#) [57102-F02-18ULF](#) [57102-S06-03LF](#) [57202-S52-04LF](#) [PCN6-15S-2.5E](#) [0039019024](#) [58102-G61-06LF](#) [582553-1](#) [0009485154](#) [0009508121](#) [009176003701906](#) [0022285053](#) [0050291907](#) [018731A](#) [LY20-4P-DT1-P1E-BR](#) [02.125.8002.8](#) [60101931](#) [60598-1 \(Cut Strip\)](#) [M1625-3R/100](#) [61062-3](#) [61082-181009](#) [CSU011177004](#) [636-1427](#) [638009-1](#) [641938-9](#) [641991-4](#) [644168-1](#) [644827-2](#) [647662-1](#) [65039-019ELF](#) [65692-001LF](#) [65781-018](#) [65781-047](#)