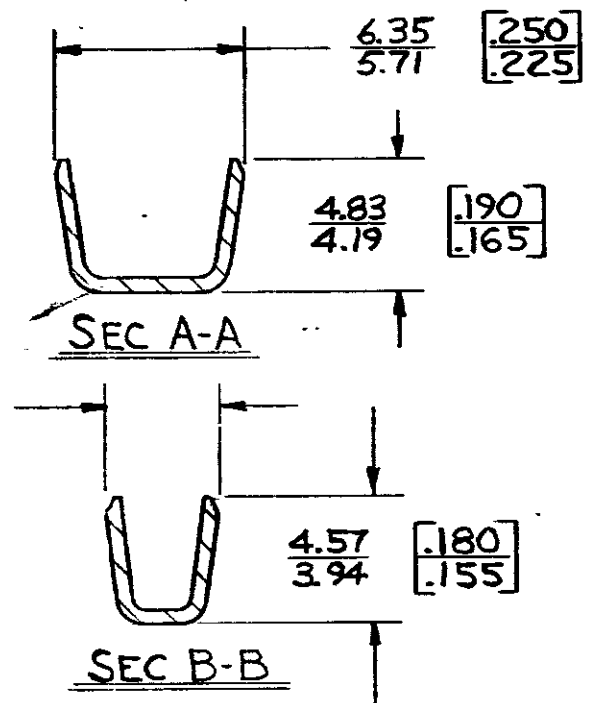
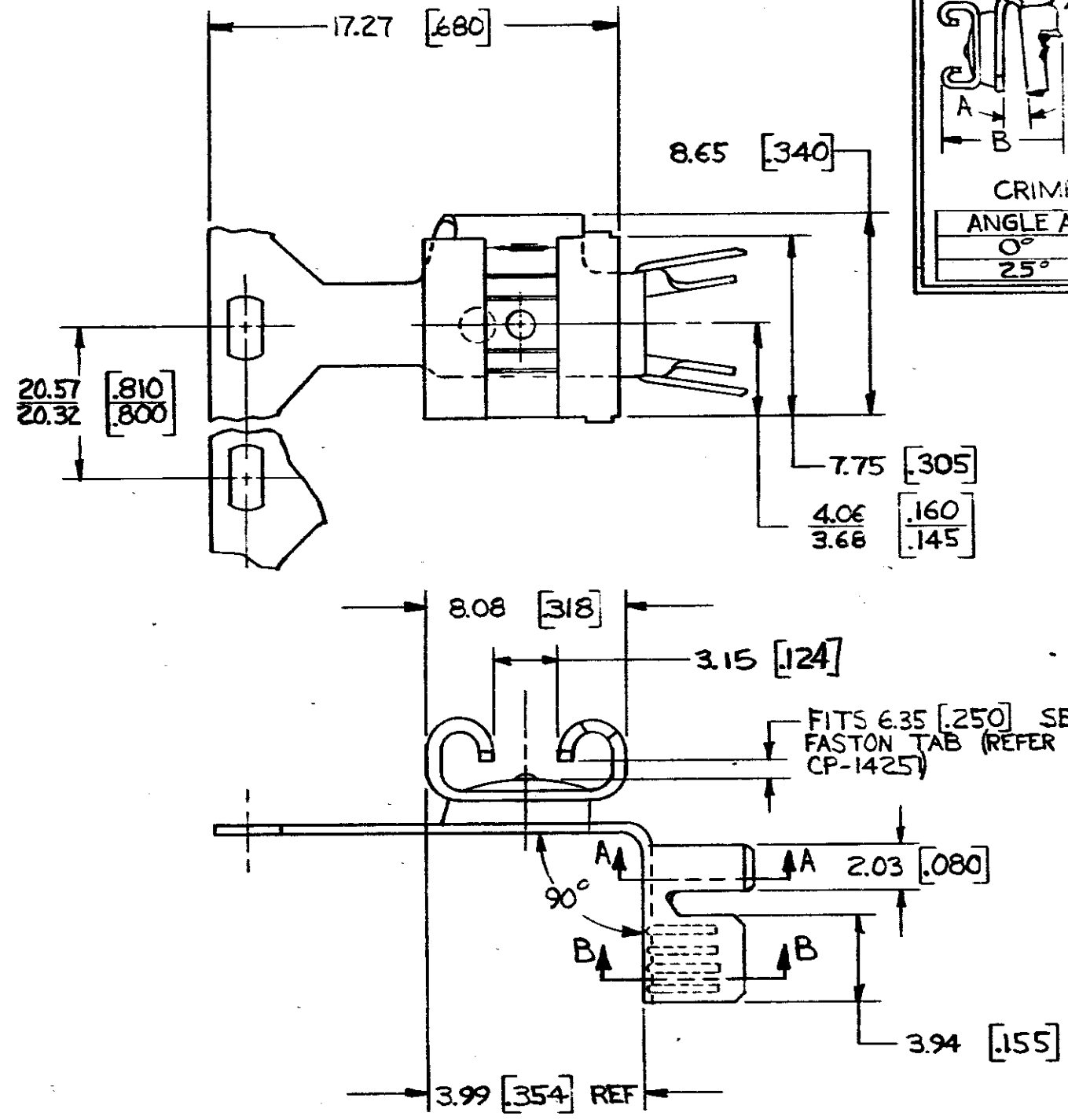
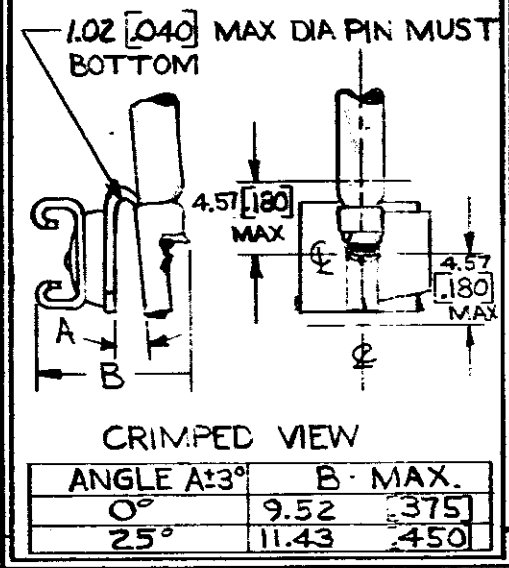


© COPYRIGHT 1978 BY AMP INCORPORATED, HARRISBURG, PA. ALL INTERNATIONAL RIGHTS RESERVED. AMP INCORPORATED PRODUCTS COVERED BY U. S. AND FOREIGN PATENTS AND/OR PATENTS PENDING.

REVISIONS						
P	F	ZONE	LTR	DESCRIPTION	DATE	APPROVED
/	/		P	REDRAWN + ADDED -3 PER TTI	7/21/78	SS/JK
/	/		Q	OBS. 60873-2 A-4533	2-25-80	RLT/BJ
/	/		R	REVISED PER. ECR A-4952	4-16-81	HMM/AM
/	/		S	OBS. -3 AF0290	5/2/84	SL/ym
/	/		T	REN. PER AF 0969	7/24/88	SL/41

1. CONTINUOUS STRIP ON REELS
2. DIMENSIONS IN BRACKETS ARE IN INCHES.



NONE	0.81			60873-3
SILVER	[.032]	3.30-4.32 [130-170]	1.3-3.0 ^{mm2} [6-12]	60873-2
TIN				60873-1
FINISH	TAE 5002 THK 1.000	INSULATION RANGE	WIRE RANGE	PART NO

METRIC

UNLESS OTHERWISE SPECIFIED DIMENSIONS ARE IN INCHES. MM TOLERANCES ON: DECIMALS ± 0.35 [015] ANGLES ±	CONTRACT NO	AMP INCORPORATED Harrisburg, Pa.		
MATERIAL 0.46 [18] PH. BRZ	DR [Signature] 7/21/78	NAME "250" SERIES REVERSIBLE FLAG FASTON RECEPTACLE (SIDE FEED)		
FINISH SEE TABLE	CHK G. Y. [Signature] 7/24/78	SIZE B	CODE IDENT NO 00779	DRAWING NO 60873
	APPD J. K. [Signature] 7/27/78	SCALE		SHEET
	APPD [Signature] 7/24/78			
	DSGN APPD			
	OTHER APPD			

X-ON Electronics

Largest Supplier of Electrical and Electronic Components

Click to view similar products for [Terminals](#) category:

Click to view products by [TE Connectivity](#) manufacturer:

Other Similar products are found below :

[00-054007-01074-6](#) [00-054007-70206-1](#) [00-054007-70210-8](#) [00-054007-70217-7](#) [00-054007-70226-9](#) [00-054007-70228-3](#) [00-054007-70248-1](#) [00-054007-70256-6](#) [00-054007-70301-3](#) [00-054007-70316-7](#) [0-0320562-0](#) [00-054007-49560-4](#) [00-054007-70209-2](#) [00-054007-70225-2](#) [00-054007-70227-6](#) [00-054007-70231-3](#) [00-054007-70241-2](#) [00-054007-70242-9](#) [00-054007-70244-3](#) [00-054007-70246-7](#) [00-054007-70263-4](#) [00-054007-70288-7](#) [00-054007-70290-0](#) [00-054007-70300-6](#) [00-054007-70304-4](#) [01-2065-1-0216](#) [01-2900-1-04412](#) [00581P0075](#) [600TS-10](#) [60205-1](#) [604200-1](#) [605601-1](#) [60598-1-CUT-TAPE](#) [61314-6-C](#) [61810-3](#) [61-S](#) [61-SN](#) [626-0194](#) [62-NBM-A](#) [62-SN](#) [62-SP](#) [63-S](#) [640179-1](#) [M55155/059I03](#) [M55155/079C01](#) [M55155/099H02](#) [M55155/109H01](#) [M55155/109H02](#) [M55155/12XH05](#) [M55155/16XH02](#)