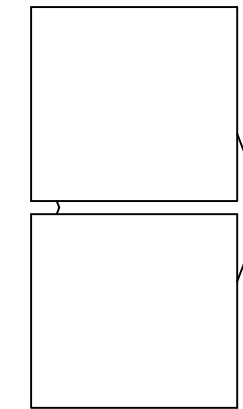
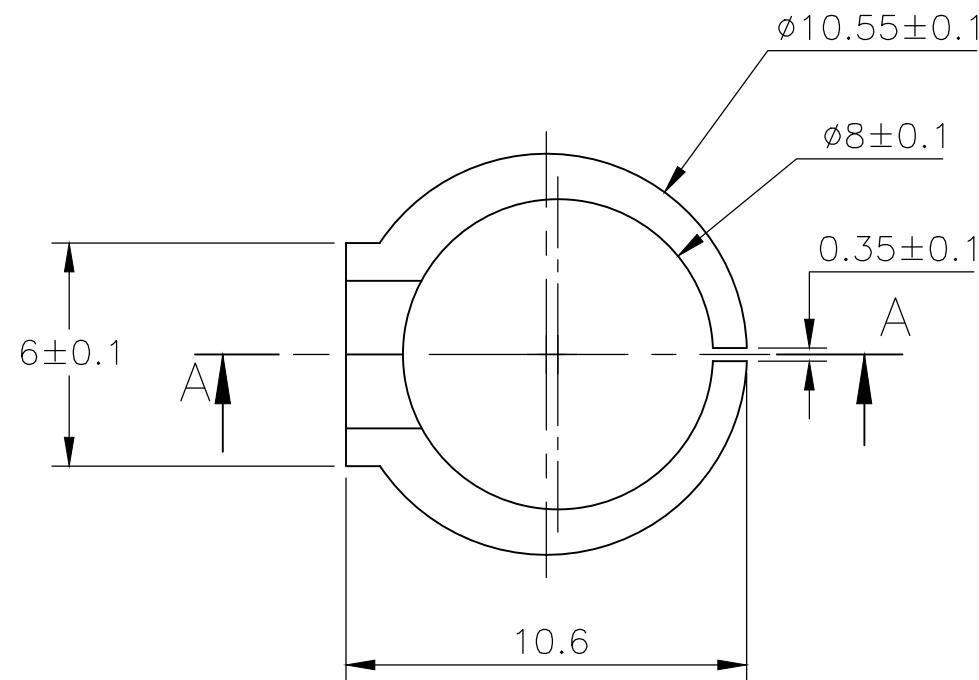
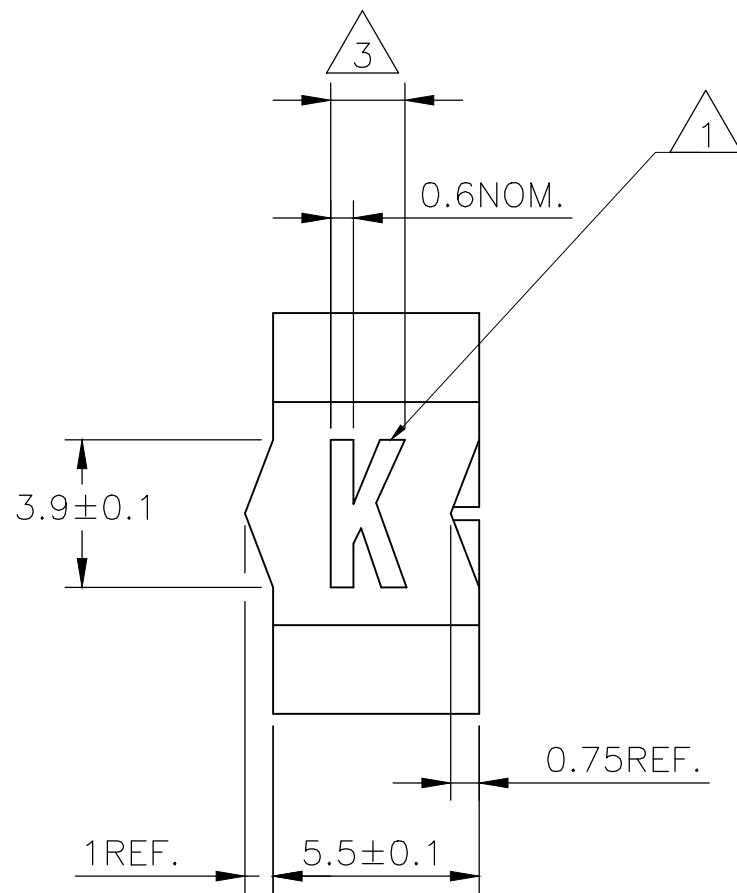
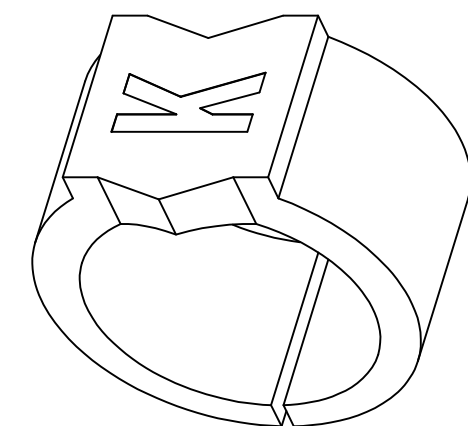
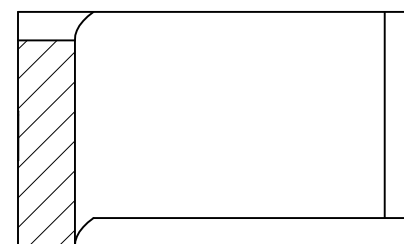


| P | LTR | DESCRIPTION | DATE | DWN | APVD |
|---|-----|---------------------------|-----------|-----|------|
| | 3 | REVISED PER ECR-20-010947 | 04AUG2020 | GK | AK |



A-A

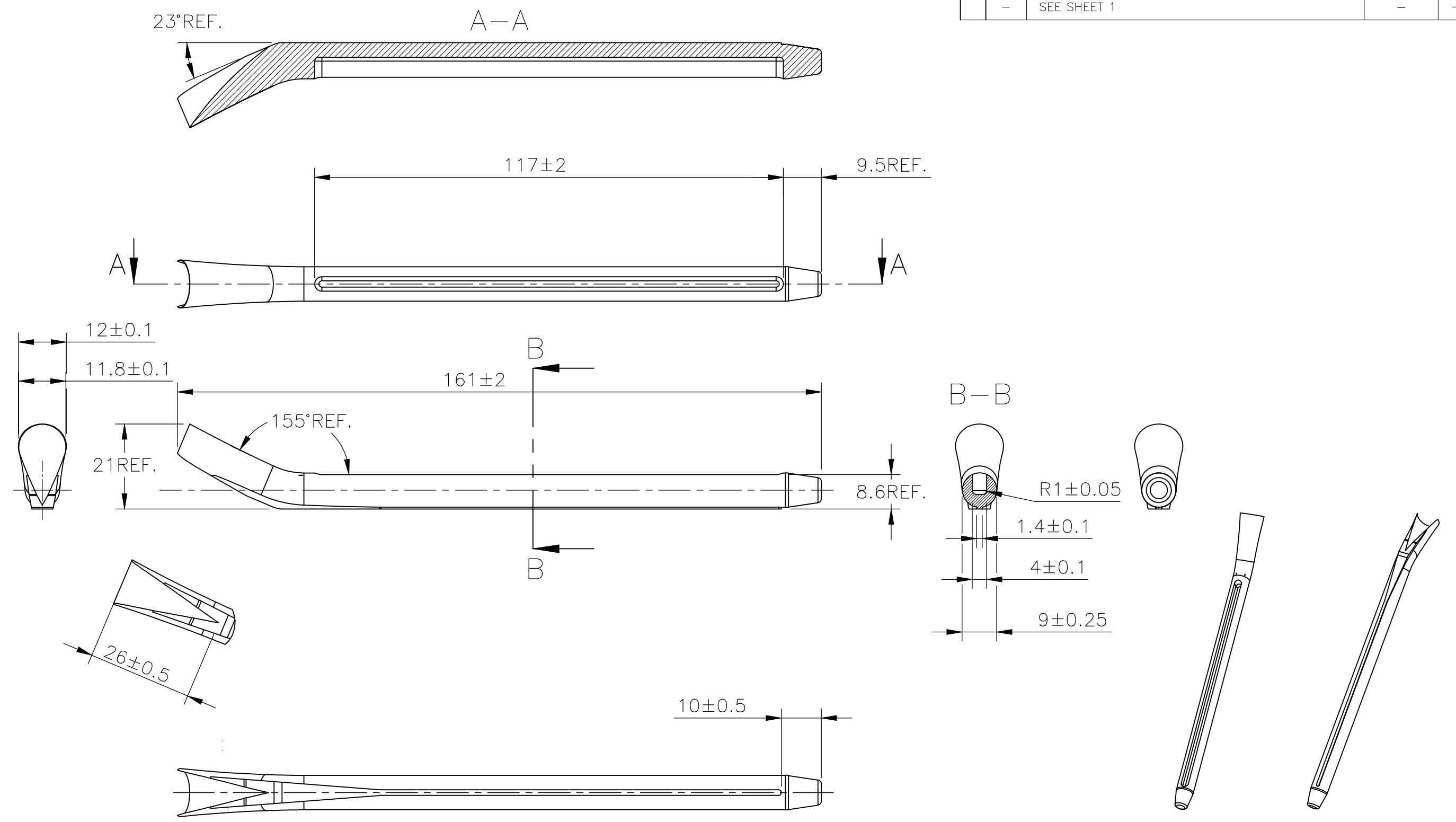



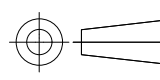
NOTES:

- 1 FOR PART NUMBERS SEE SHEET 3 OF 3.
- 2 MARK SHOULD BE CENTRALLY POSITIONED ±0.1mm.
- 3 WIDTH OF MARK DEPENDS ON CHARACTER PRINTED

| | | | | | |
|--|--|--|--|--|--------|
| THIS DRAWING IS A CONTROLLED DOCUMENT. | | DWN 23MAR2013 RAGHAVENDRA K | | TE Connectivity | |
| | | CHK 23MAR2013 KEAN ALAN | | | |
| DIMENSIONS: mm | | TOLERANCES UNLESS OTHERWISE SPECIFIED: | | NAME SNAP-ON MARKER STB/STD SIZE 17 WITH APPLICATOR | |
| | | 0 PLC ± - | | PRODUCT SPEC | |
| | | 1 PLC ± - | | APPLICATION SPEC | |
| MATERIAL | | 2 PLC ± - | | SIZE | |
| | | 3 PLC ± - | | CAGE CODE | |
| | | 4 PLC ± - | | DRAWING NO | |
| | | ANGLES ± - | | RESTRICTED TO | |
| | | FINISH | | WEIGHT | |
| | | | | A3 C2290 C-3-1768046-0 | |
| CUSTOMER DRAWING | | | | SCALE | REV |
| | | | | NTS | 3 |
| | | | | SHEET | 1 OF 3 |

| REVISIONS | | | | | |
|-----------|-----|-------------|------|-----|------|
| P | LTR | DESCRIPTION | DATE | DWN | APVD |
| - | - | SEE SHEET 1 | - | - | - |



| | | | | | |
|---|--|------------------------------------|---|-----------------------|-----------------------------|
| THIS DRAWING IS A CONTROLLED DOCUMENT. | | DWN RAGHAVENDRA K 23MAR2013 |  TE Connectivity | | |
| DIMENSIONS: mm  | | CHK KEAN ALAN 23MAR2013 | | | |
| TOLERANCES UNLESS OTHERWISE SPECIFIED: 0 PLC ± - 1 PLC ± - 2 PLC ± - 3 PLC ± - 4 PLC ± - ANGLES ± - | | APVD MARIO APPELLO 23MAR2013 | NAME SNAP-ON MARKER STB/STD SIZE 17 WITH APPLICATOR | | |
| MATERIAL - | | FINISH - | PRODUCT SPEC - | APPLICATION SPEC - | RESTRICTED TO - |
| | | WEIGHT - | SIZE A3 | CAGE CODE C2290 | DRAWING NO C-3-1768046-0 |
| CUSTOMER DRAWING | | | SCALE NTS | SHEET 2 OF 3 | REV 3 |

REVISIONS

| P | LTR | DESCRIPTION | DATE | DWN | APVD |
|---|-----|-------------|------|-----|------|
| - | - | SEE SHEET 1 | - | - | - |

| DESCRIPTION | PART NO. |
|------------------|-------------|
| STB17-0-0 | 1768040-4 |
| STB17-1-1 | 1768040-6 |
| STB17-2-2 | 1768040-8 |
| STB17-3-3 | 1-1768040-0 |
| STB17-5-5 | 1-1768040-3 |
| STB17-6-6 | 1-1768040-5 |
| STB17-7-7 | 1-1768040-7 |
| STB17-8-8 | 1-1768040-9 |
| STB17-A-2 | 2-1768040-1 |
| STB17-B-2 | 2-1768040-2 |
| STB17-BLANK-0 | 2-1768040-3 |
| STB17-BLANK-2 | 2-1768040-5 |
| STB17-BLANK-3 | 2-1768040-6 |
| STB17-BLANK-5 | 2-1768040-7 |
| STB17-BLANK-6 | 2-1768040-8 |
| STB17-BLANK-8 | 3-1768040-0 |
| STB17-MINUS-6 | 3-1768040-9 |
| STB17-PLUS-2 | 4-1768040-0 |
| STD17-APPLICATOR | 3-1768046-0 |
| STD17W/1-8 | 4-1768404-1 |
| STD17W-0 | 527604-000 |
| STD17W-1 | 203994-000 |
| STD17W-2 | 183268-000 |
| STD17W-3 | 364638-000 |
| STD17W-4 | 901940-000 |
| STD17W-5 | 286422-000 |
| STD17W-6 | 630534-000 |
| STD17W-7 | 805758-000 |

| DESCRIPTION | PART NO. |
|--------------|-------------|
| STD17W-8 | 117110-000 |
| STD17W-9 | 187054-000 |
| STD17W-A | 265752-000 |
| STD17W-B | 810362-000 |
| STD17W-BLANK | 3-1768046-3 |
| STD17W-C | 201082-000 |
| STD17W-COLON | 206906-000 |
| STD17W-D | 579356-000 |
| STD17W-DOT | 3-1768046-6 |
| STD17W-E | 899028-000 |
| STD17W-EARTH | 3-1768046-7 |
| STD17W-F | 519516-000 |
| STD17W-G | 126680-000 |
| STD17W-H | 435224-000 |
| STD17W-I | 860516-000 |
| STD17W-J | 608890-000 |
| STD17W-K | 851872-000 |
| STD17W-L | 336396-000 |
| STD17W-M | 198170-000 |
| STD17W-MINUS | 4-1768046-4 |
| STD17W-N | 160164-000 |
| STD17W-P | 206748-000 |
| STD17W-PLUS | 4-1768046-7 |
| STD17W-Q | 826344-000 |
| STD17W-R | 122436-000 |
| STD17W-S | 755828-000 |
| STD17W-SLASH | 777264-000 |
| STD17W-T | 320388-000 |
| STD17W-U | 888064-000 |
| STD17W-V | 556206-000 |
| STD17W-W | 670780-000 |
| STD17W-X | 634758-000 |
| STD17W-Y | 527804-000 |


| DESCRIPTION | PART NO. |
|--------------|-------------|
| STD17W-Z | 192346-000 |
| STD17Y-0 | 4-1768046-9 |
| STD17Y-1 | 5-1768046-0 |
| STD17Y-2 | 5-1768046-1 |
| STD17Y-3 | 5-1768046-2 |
| STD17Y-4 | 5-1768046-3 |
| STD17Y-5 | 5-1768046-4 |
| STD17Y-6 | 5-1768046-5 |
| STD17Y-7 | 5-1768046-6 |
| STD17Y-8 | 5-1768046-7 |
| STD17Y-9 | 5-1768046-8 |
| STD17Y-A | 5-1768046-9 |
| STD17Y-B | 6-1768046-2 |
| STD17Y-BLANK | 6-1768046-3 |
| STD17Y-C | 6-1768046-5 |
| STD17Y-COLON | 6-1768046-6 |
| STD17Y-D | 6-1768046-7 |
| STD17Y-DOT | 6-1768046-9 |
| STD17Y-E | 7-1768046-0 |
| STD17Y-EARTH | 7-1768046-1 |
| STD17Y-F | 7-1768046-3 |
| STD17Y-G | 7-1768046-5 |
| STD17Y-H | 7-1768046-7 |
| STD17Y-I | 7-1768046-9 |
| STD17Y-J | 8-1768046-0 |
| STD17Y-K | 8-1768046-1 |
| STD17Y-L | 8-1768046-3 |
| STD17Y-M | 8-1768046-5 |
| STD17Y-MINUS | 8-1768046-6 |
| STD17Y-N | 8-1768046-8 |

| DESCRIPTION | PART NO. |
|---------------|-------------|
| STD17Y-P | 9-1768046-0 |
| STD17Y-PLUS | 9-1768046-1 |
| STD17Y-Q | 9-1768046-2 |
| STD17Y-R | 9-1768046-3 |
| STD17Y-S | 9-1768046-5 |
| STD17Y-SLASH | 9-1768046-6 |
| STD17Y-T | 9-1768046-7 |
| STD17Y-U | 9-1768046-8 |
| STD17Y-V | 9-1768046-9 |
| STD17Y-W | 1768047-1 |
| STD17Y-X | 1768047-2 |
| STD17Y-Y | 1768047-3 |
| STD17Y-Z | 1768047-4 |
| STB17-BLANK-1 | 2-1768040-4 |
| STB17-BLANK-7 | 2-1768040-9 |
| STD17W-AC | 3-1768046-1 |
| STD17Y-AC | 6-1768046-0 |

THIS DRAWING IS A CONTROLLED DOCUMENT.

| | |
|-------------------|---|
| DIMENSIONS: mm | TOLERANCES UNLESS OTHERWISE SPECIFIED: |
| | 0 PLC ± - 1 PLC ± - 2 PLC ± - 3 PLC ± - 4 PLC ± - ANGLES ± - |
| MATERIAL | FINISH |
| - | - |

| | |
|------------------|-----------|
| DWN | 23MAR2013 |
| RAGHAVENDRA K | |
| CHK | 23MAR2013 |
| KEAN ALAN | |
| APVD | 23MAR2013 |
| MARIO APPELLO | |
| PRODUCT SPEC | |
| APPLICATION SPEC | |
| WEIGHT | - |
| CUSTOMER DRAWING | |

| | | | |
|---|-----------|--|---------------|
|  TE Connectivity | | | |
| NAME | | SNAP-ON MARKER STB/STD SIZE 17 WITH APPLICATOR | |
| SIZE | CAGE CODE | DRAWING NO | RESTRICTED TO |
| A3 | C2290 | C-3-1768046-0 | - |
| SCALE | | SHEET | REV |
| NTS | | 3 OF 3 | 3 |

X-ON Electronics

Largest Supplier of Electrical and Electronic Components

Click to view similar products for [Wire Labels & Markers](#) category:

Click to view products by [TE Connectivity](#) manufacturer:

Other Similar products are found below :

[89078GBEST](#) [89082GBESR](#) [89082GBEST](#) [PCL025-4](#) [5761-2SF](#) [58400](#) [586R734H02](#) [M1.040.0000.6](#) [CRS-CM5M](#) [CRS-M18M](#) [CS1836-000](#) [CS8626-000](#) [CU6337-000](#) [CU6342-000](#) [CU6343-000](#) [CWD01-0](#) [CWD012-0](#) [CWD012-7](#) [CWD015-3](#) [CWD015-7](#) [CWD02-0](#) [CWD02-3](#) [CWD02-4](#) [CWD02-6](#) [CWD02-8](#) [CWD02-A](#) [CWD02-D](#) [CWD02-H](#) [CWD02-K](#) [CWD02-L](#) [CWD02-M](#) [CWD02-P](#) [CWD02-Q](#) [CWD02-R](#) [CWD02-U](#) [CWD02-W](#) [CWD02-Y](#) [CWD03-+](#) [CWD03-0](#) [CWD03-P](#) [CWD06-0](#) [CWD06-8](#) [CWD06-9](#) [CWD06-L](#) [CWD06-N](#) [CWD09-0](#) [CWD09-5](#) [CWD09-7](#) [6806810001](#) [CZ2857-000](#)