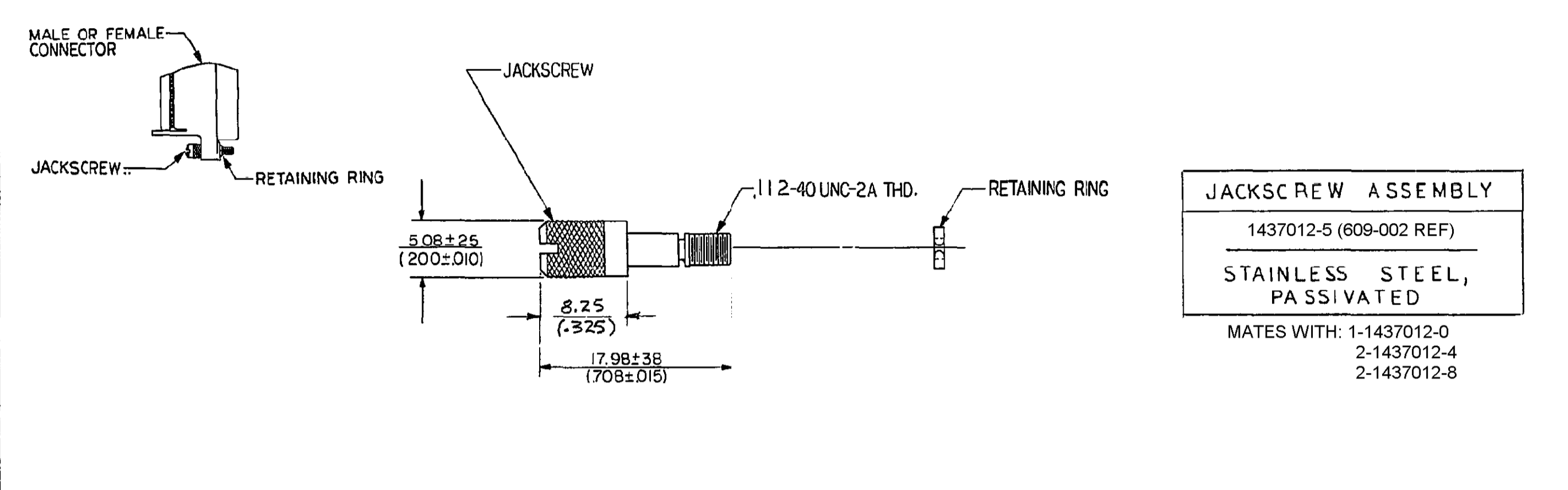
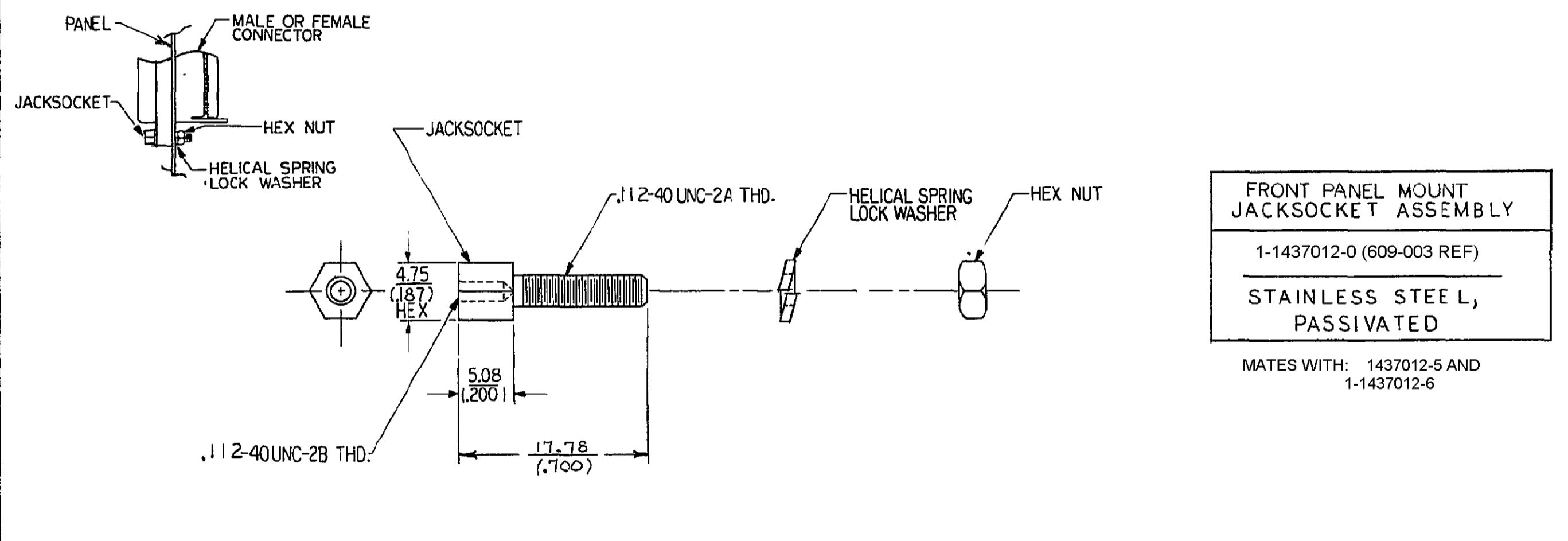


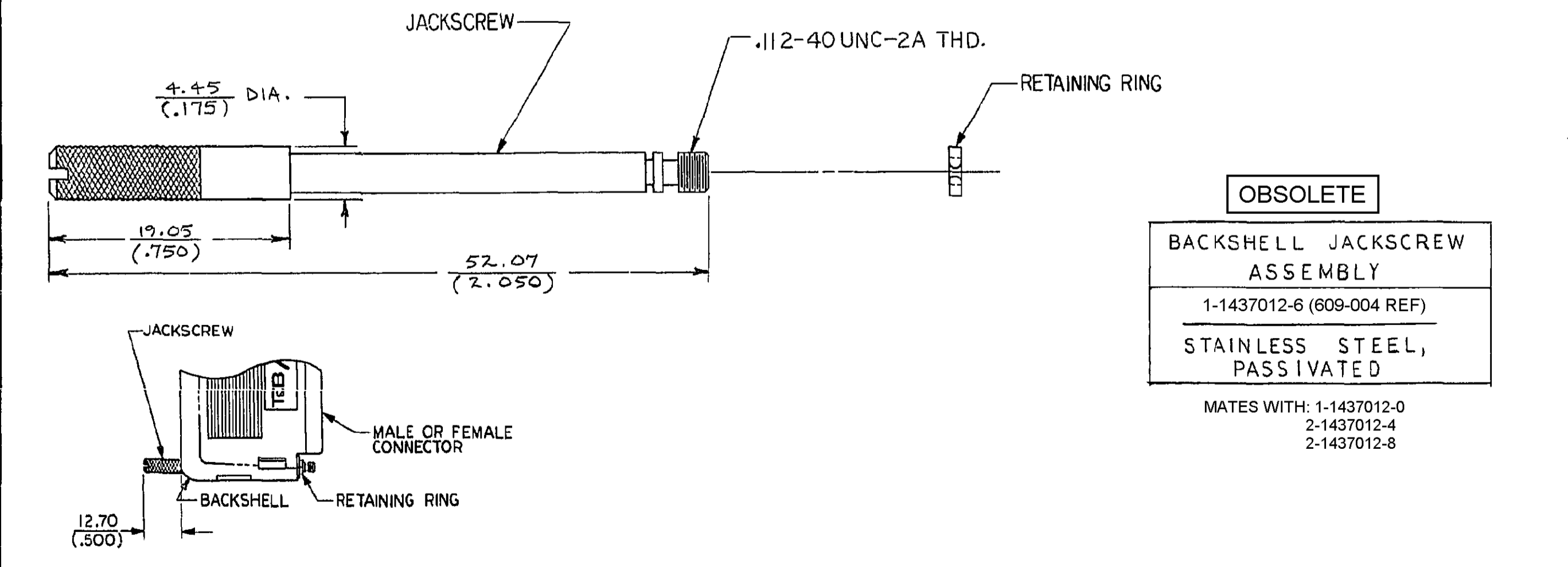
**2 OBSOLETE**  
**SCREWLOCK ASSEMBLY**  
 1-1437012-1 (609-001 REF)  
 STAINLESS STEEL,  
 PASSIVATED



**JACKSCREW ASSEMBLY**  
 1437012-5 (609-002 REF)  
 STAINLESS STEEL,  
 PASSIVATED  
 MATES WITH: 1-1437012-0  
 2-1437012-4  
 2-1437012-8

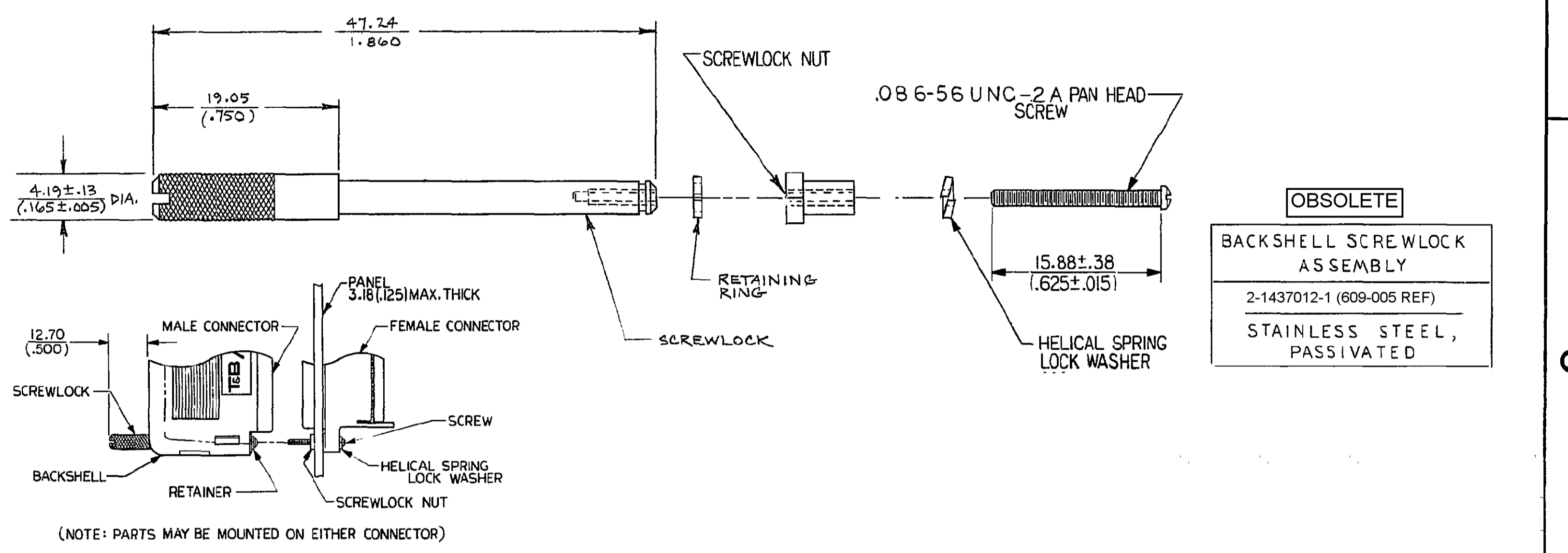


**FRONT PANEL MOUNT JACKSCREW ASSEMBLY**  
 1-1437012-0 (609-003 REF)  
 STAINLESS STEEL,  
 PASSIVATED  
 MATES WITH: 1437012-5 AND  
 1-1437012-6

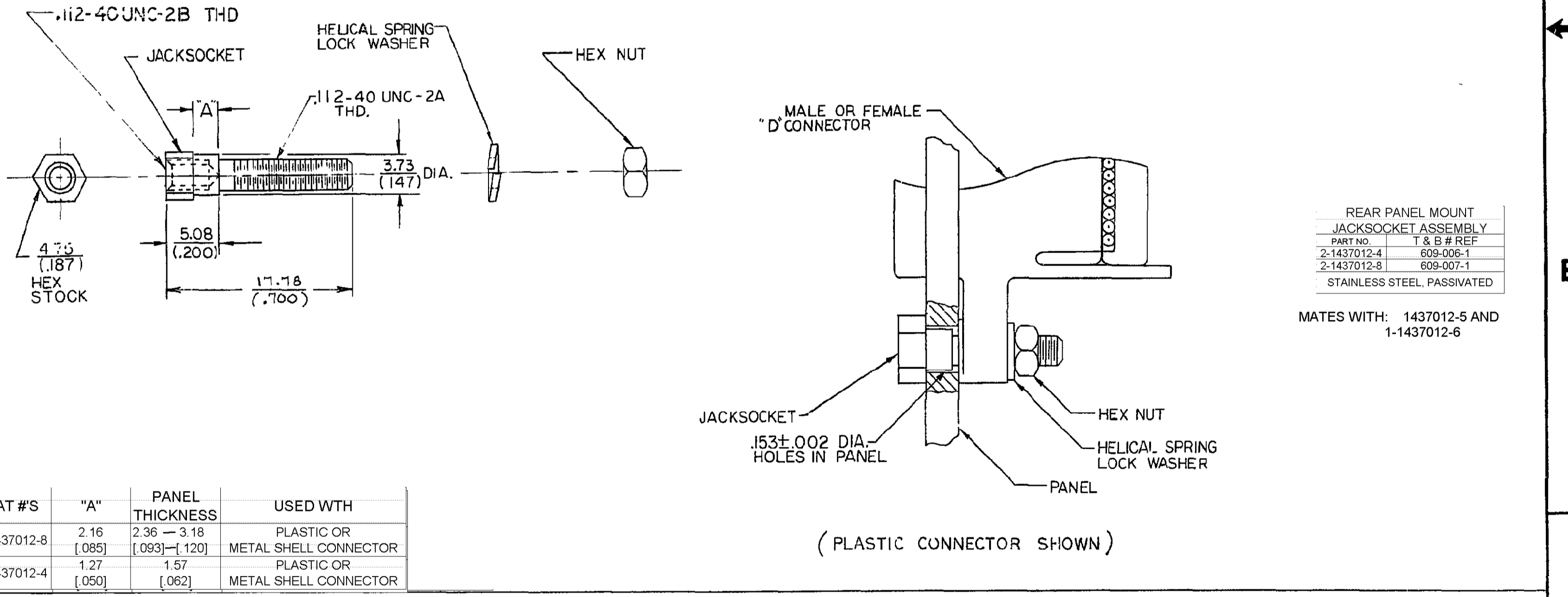


**OBSOLETE**  
**BACKSHELL JACKSCREW ASSEMBLY**  
 1-1437012-6 (609-004 REF)  
 STAINLESS STEEL,  
 PASSIVATED  
 MATES WITH: 1-1437012-0  
 2-1437012-4  
 2-1437012-8

1. HARDWARE SHOWN IS COMPATIBLE WITH FORMER T&B BACKSHELLS AND CONNECTORS ONLY.  
 2. OBSOLETE PARTS: OBSOLETE CIS STREAMLINING PER D.RENAUD/D.SINISI



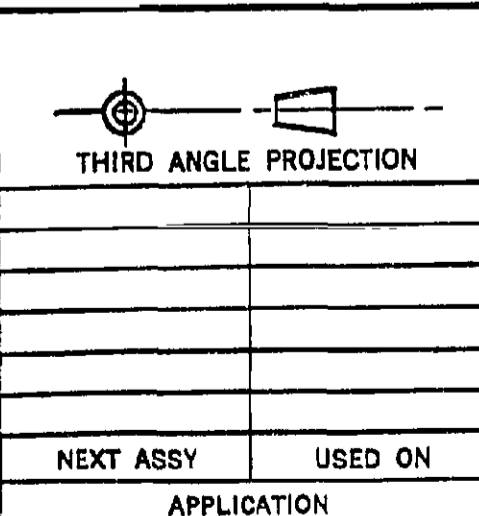
**OBSOLETE**  
**BACKSHELL SCREWLOCK ASSEMBLY**  
 2-1437012-1 (609-005 REF)  
 STAINLESS STEEL,  
 PASSIVATED



**REAR PANEL MOUNT JACKSCREW ASSEMBLY**  
 PART NO. T & B REF  
 2-1437012-4 609-006-1  
 2-1437012-8 609-007-1  
 STAINLESS STEEL, PASSIVATED  
 MATES WITH: 1437012-5 AND  
 1-1437012-6

CAT #S	"A"	PANEL THICKNESS	USED WITH
2-1437012-8	2.16 [.085]	2.36 - 3.18 [.093] - [1.20]	PLASTIC OR METAL SHELL CONNECTOR
2-1437012-4	1.27 [.050]	1.57 [.062]	PLASTIC OR METAL SHELL CONNECTOR

P	REVISED PER ECO-11-004835	21MAR11	RK	HMR
REV	REVISION RECORD	DATE	DWN	APVD



UNLESS OTHERWISE SPECIFIED, DIMENSIONS ARE IN M.M.(INCHES)  
 TOLERANCES —  
 FRACTIONS =  
 ANGLES =  
 DECIMALS .XX (.XXX) ±  
 X (.XX) ±

FIND NO.	QTY REQD	CODE IDENT	PART NO.	DESCRIPTION	ZONE
LIST OF MATERIALS					
DRAWN					
CHECKED					
APPROVED					
APPROVED					
APPROVED					

**STE** TE Connectivity

TITLE  
**D CONNECTOR MOUNTING ACCESSORY HARDWARE**

SIZE	CODE IDENT NO.	NUMBER	REV.
D	15912	1437012-1	P

SCALE N T S Customer Drawing SHEET OF

## X-ON Electronics

Largest Supplier of Electrical and Electronic Components

*Click to view similar products for [D-Sub Tools & Hardware](#) category:*

*Click to view products by [TE Connectivity](#) manufacturer:*

Other Similar products are found below :

[000-01-09-132](#) [000-01-21-132](#) [000-01-31-162](#) [572019-00105-70](#) [000-01-37-162](#) [621-250-113-115](#) [D110550-2](#) [D20418-137](#) [780-518-50SG6-WS](#) [86552009](#) [86553115TLF](#) [86553117TLF](#) [1230032-1](#) [1-5021101-2](#) [15-000050](#) [1589283-4](#) [160-000-005R031](#) [16-000230](#) [160-025-004R031](#) [160-000-137R000](#) [160-020-209R000](#) [160X10909X](#) [164C03939A](#) [177-505-A-2-2](#) [1-966830-8](#) [21018-6](#) [2-1393560-9](#) [JS-1000](#) [L17D204182M3E](#) [L17D53018](#) [300X10779X](#) [160X10189X](#) [160X10419X](#) [162-000-050R000](#) [21018-5](#) [212561-3](#) [248C21550X](#) [CF15P](#) [QLOCKPOST-2](#) [D110277](#) [500-008NF1K-01](#) [500-008NF3R3KS-01](#) [500-017M09FN](#) [500-017M15MHN](#) [500-024M1](#) [500-068M3](#) [5-1393561-5](#) [C115373-0001](#) [C115373-0002](#) [3342-4-KIT](#)