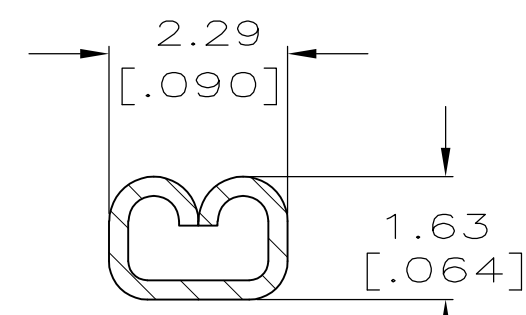
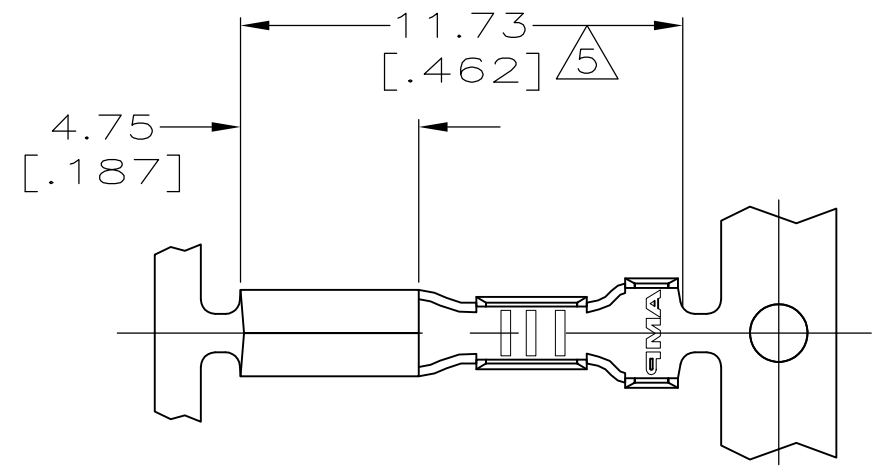
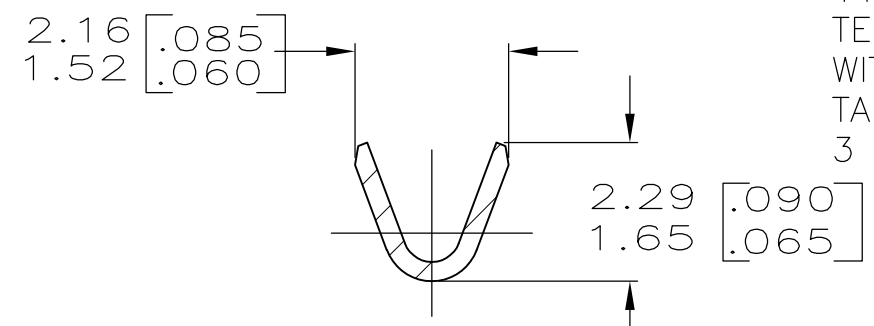
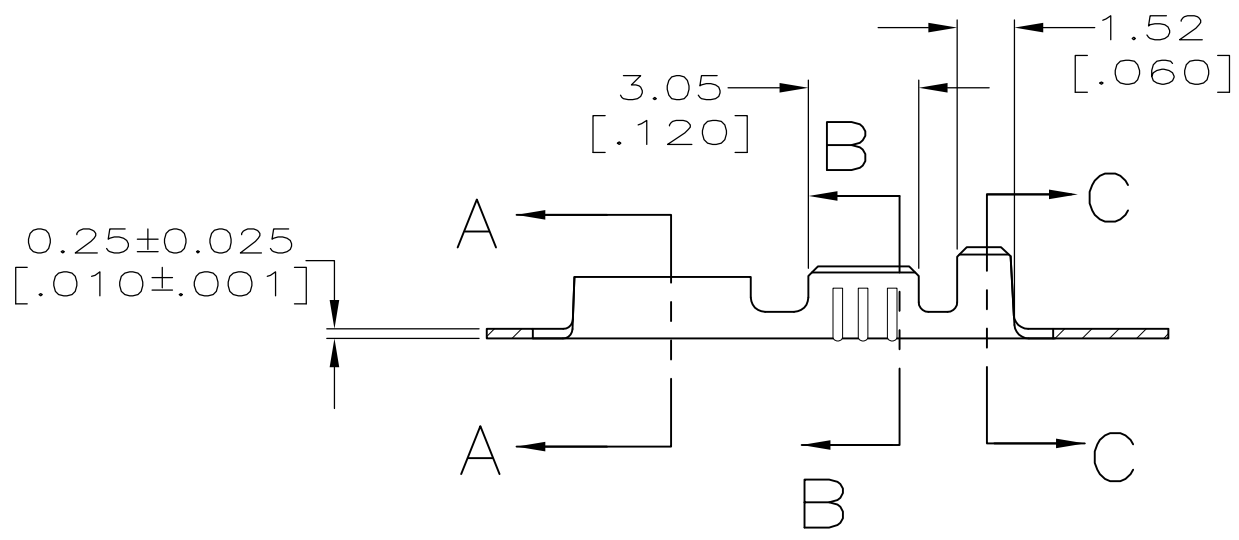


THIS DRAWING IS UNPUBLISHED. RELEASED FOR PUBLICATION
 © COPYRIGHT - By - ALL RIGHTS RESERVED.

REVISIONS					
P	LTR	DESCRIPTION	DATE	DWN	APVD
	V	REVISED PER ECO-16-012447	26SEPT16	RS	DH

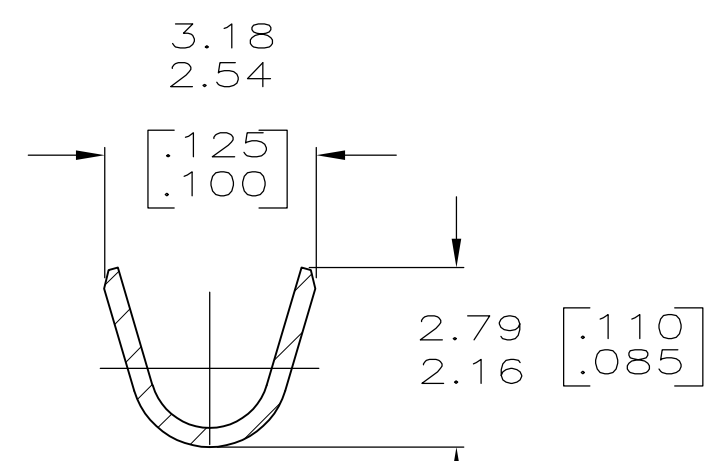


SECTION A-A
SCALE 10:1



SECTION B-B
SCALE 10:1

- 1 CONTINUOUS STRIP ON REELS.
- 2 FEED IS 8.89±0.13 [.350±.005]
- △3 TIN PLATE 0.002032 [.000080] MIN.
- △4 GOLD PLATE 0.000381 [.000015] MIN OVER 0.000762 [.000030] MIN THK NICKEL.
- △5 GOLD PLATE REQUIRED IN THIS AREA ONLY.
- △6 REVERSE REELING.
- 7 MAX TEST TAB MUST ENTER & WITHDRAW FROM RECPT. WITH A MAX FORCE OF 11 LBS. (USE GAGE 100716-40). MIN TEST TAB MUST WITHDRAW FROM RECPT WITH MIN PULL OF 1 LB AFTER MAX TAB HAS BEEN INSERTED & WITHDRAWN 3 TIMES.



SECTION C-C
SCALE 10:1

FINISH	INSULATION RANGE	WIRE SIZE	MATING TAB THK	PART NO.
△6 OBSOLETE — GOLD △4 △6 △3 TIN	1.02-2.03 DIA [.040-.080] DIA	[#24-#22] AWG	±0.025 0.79 X 1.58 ±.001 [.031 X .062]	60900-5- 60900-4 60900-3
OBSOLETE — GOLD △4 OBSOLETE △3 TIN				60900-2- 60900-1-

THIS DRAWING IS A CONTROLLED DOCUMENT.		DWN JR RUTH 1/24/95	STE TE Connectivity			
DIMENSIONS: mm [INCHES]		CHK MS FEHER 1/24/95				
TOLERANCES UNLESS OTHERWISE SPECIFIED:		APVD R REINER 1/24/95	NAME — RECEPTACLE, TAB, WRAP TYPE			
0 PLC ± - 1 PLC ± - 2 PLC ± 0.25 [.010] 3 PLC ± - 4 PLC ± - ANGLES ± -		PRODUCT SPEC — APPLICATION SPEC —	SIZE A3	CAGE CODE 00779	DRAWING NO C-60900	RESTRICTED TO —
MATERIAL BRASS	FINISH SEE TABLE	WEIGHT 0	CUSTOMER DRAWING			
			SCALE 5:1	SHEET 1 OF 1	REV V	

X-ON Electronics

Largest Supplier of Electrical and Electronic Components

Click to view similar products for [Terminals](#) category:

Click to view products by [TE Connectivity](#) manufacturer:

Other Similar products are found below :

[00-054007-01074-6](#) [00-054007-70206-1](#) [00-054007-70210-8](#) [00-054007-70217-7](#) [00-054007-70226-9](#) [00-054007-70228-3](#) [00-054007-70248-1](#) [00-054007-70256-6](#) [00-054007-70301-3](#) [00-054007-70316-7](#) [0-0320562-0](#) [00-054007-49560-4](#) [00-054007-70209-2](#) [00-054007-70225-2](#) [00-054007-70227-6](#) [00-054007-70231-3](#) [00-054007-70241-2](#) [00-054007-70242-9](#) [00-054007-70244-3](#) [00-054007-70246-7](#) [00-054007-70263-4](#) [00-054007-70288-7](#) [00-054007-70290-0](#) [00-054007-70300-6](#) [00-054007-70304-4](#) [01-2065-1-0216](#) [01-2900-1-04412](#) [00581P0075](#) [600TS-10](#) [60205-1](#) [604200-1](#) [605601-1](#) [60598-1-CUT-TAPE](#) [61314-6-C](#) [61810-3](#) [61-S](#) [61-SN](#) [626-0194](#) [62-NBM-A](#) [62-SN](#) [62-SP](#) [63-S](#) [640179-1](#) [M55155/059I03](#) [M55155/079C01](#) [M55155/099H02](#) [M55155/109H01](#) [M55155/109H02](#) [M55155/12XH05](#) [M55155/16XH02](#)