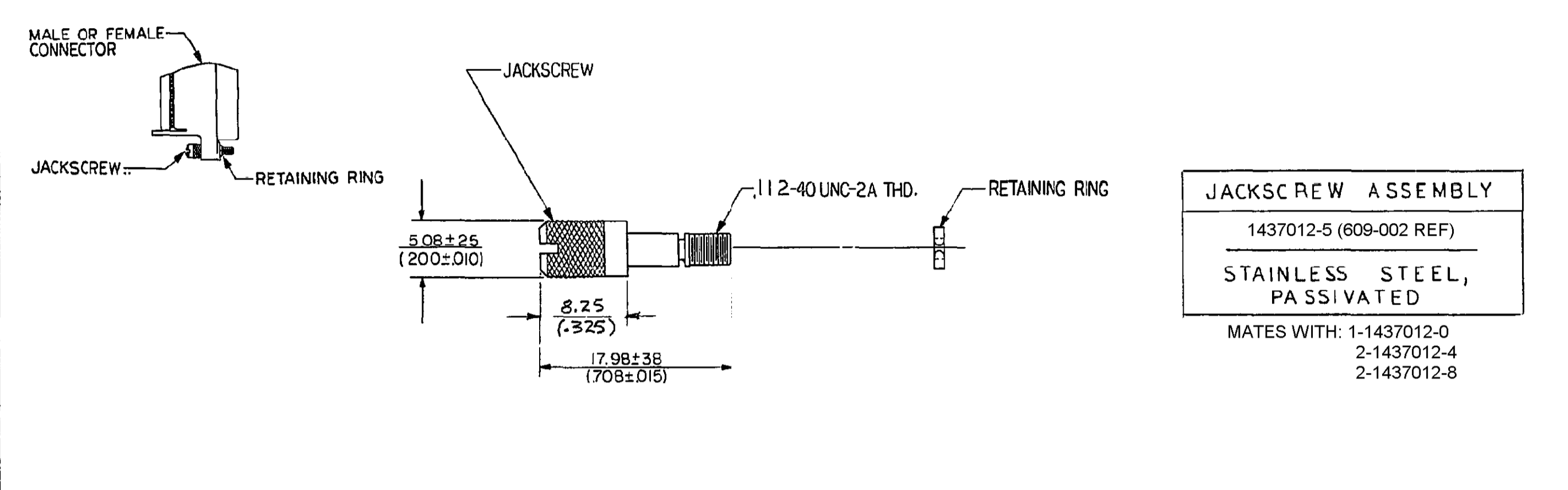


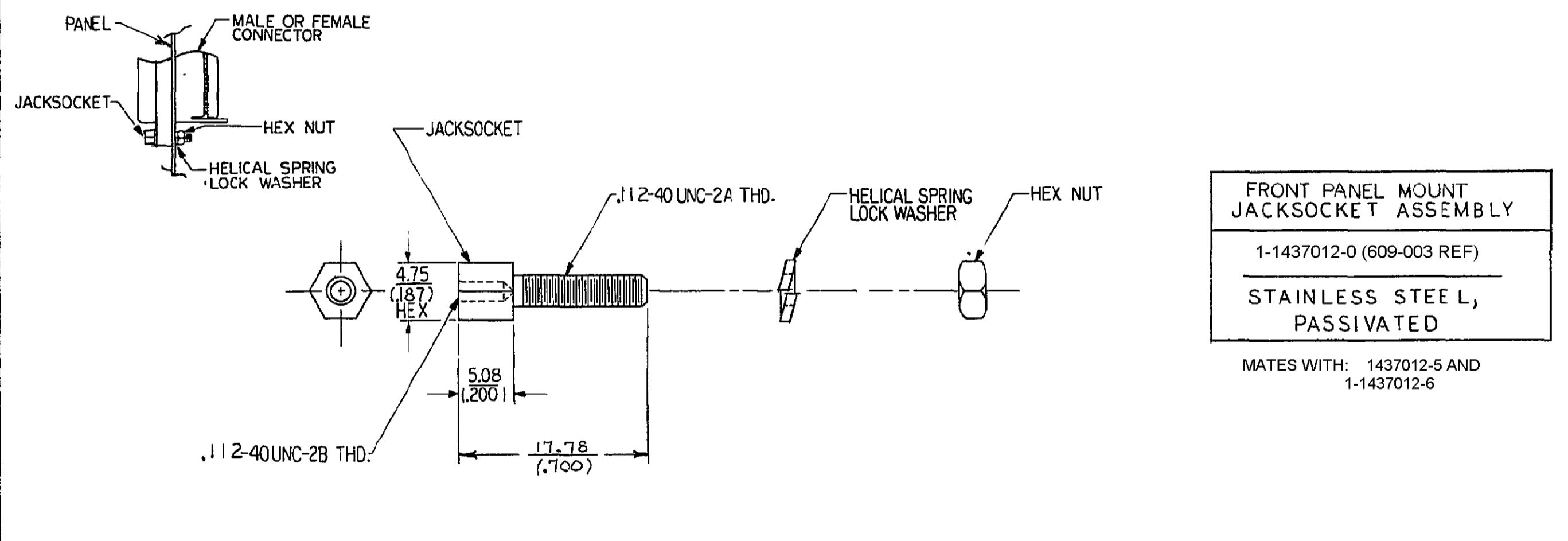
2 OBSOLETE

SCREWLOCK ASSEMBLY
1-1437012-1 (609-001 REF)
STAINLESS STEEL,
PASSIVATED



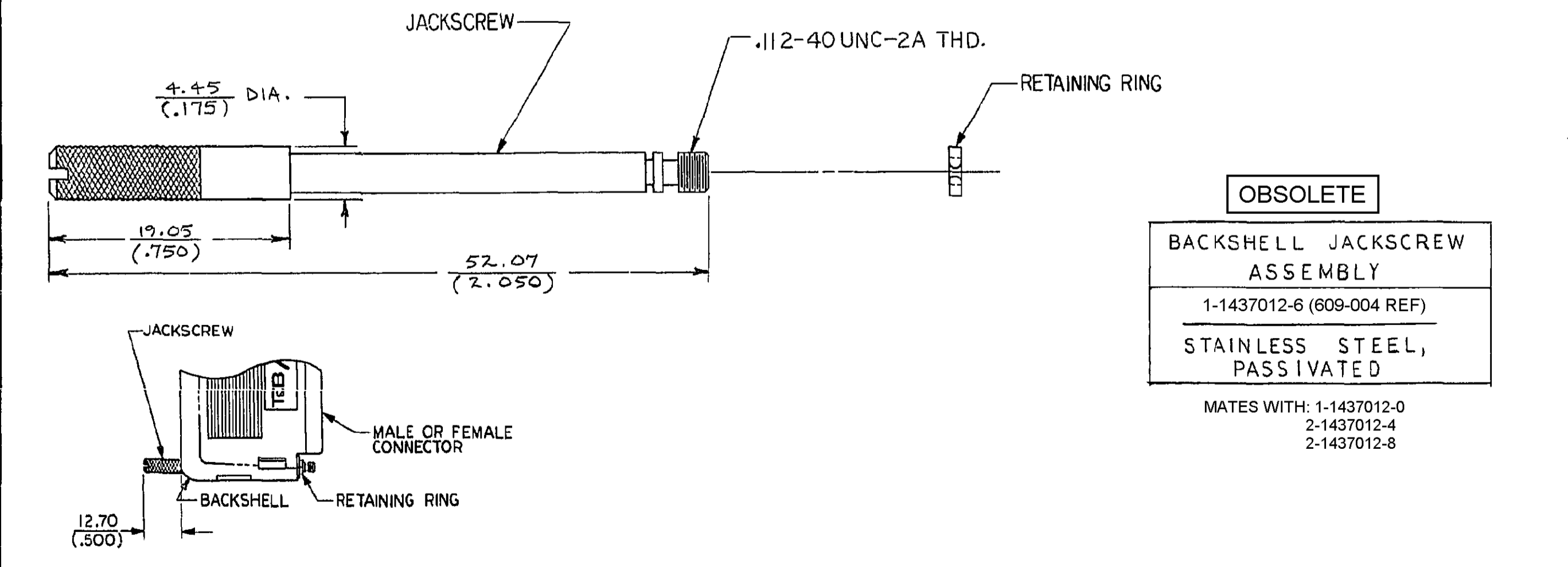
JACKSCREW ASSEMBLY
1-1437012-5 (609-002 REF)
STAINLESS STEEL,
PASSIVATED

MATES WITH: 1-1437012-0
2-1437012-4
2-1437012-8



FRONT PANEL MOUNT
JACKSCREW ASSEMBLY
1-1437012-0 (609-003 REF)
STAINLESS STEEL,
PASSIVATED

MATES WITH: 1-1437012-5 AND
1-1437012-6



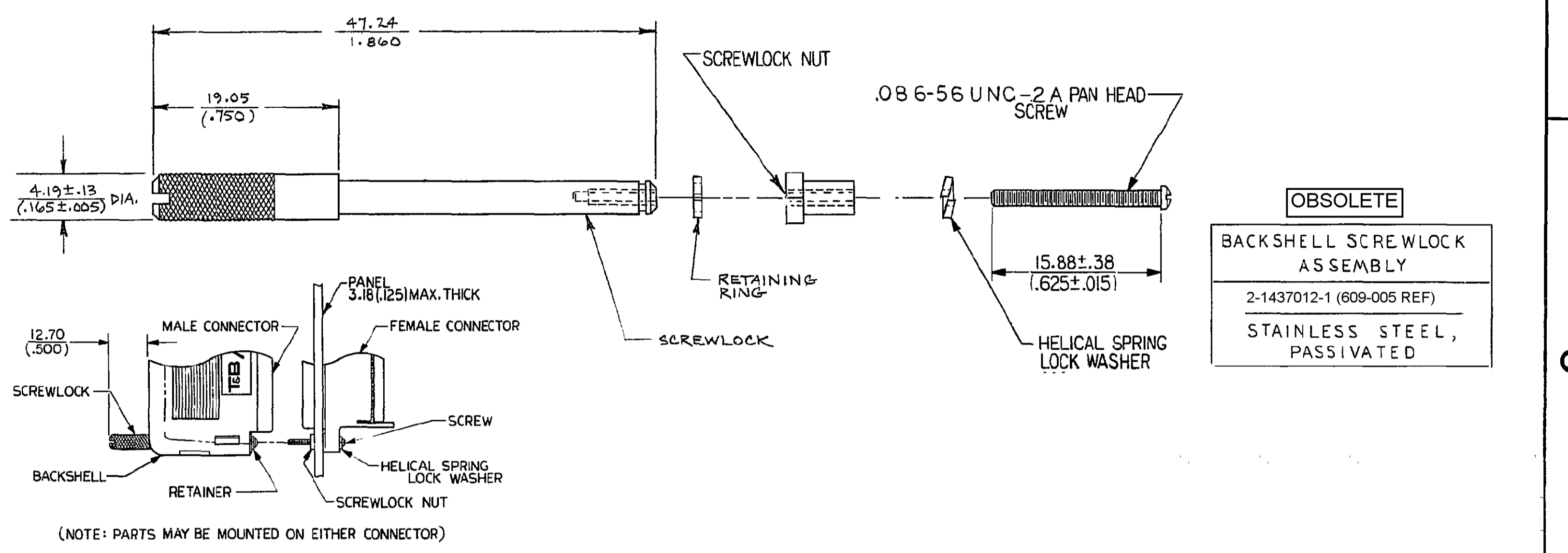
OBSOLETE

BACKSHELL JACKSCREW
ASSEMBLY
1-1437012-6 (609-004 REF)
STAINLESS STEEL,
PASSIVATED

MATES WITH: 1-1437012-0
2-1437012-4
2-1437012-8

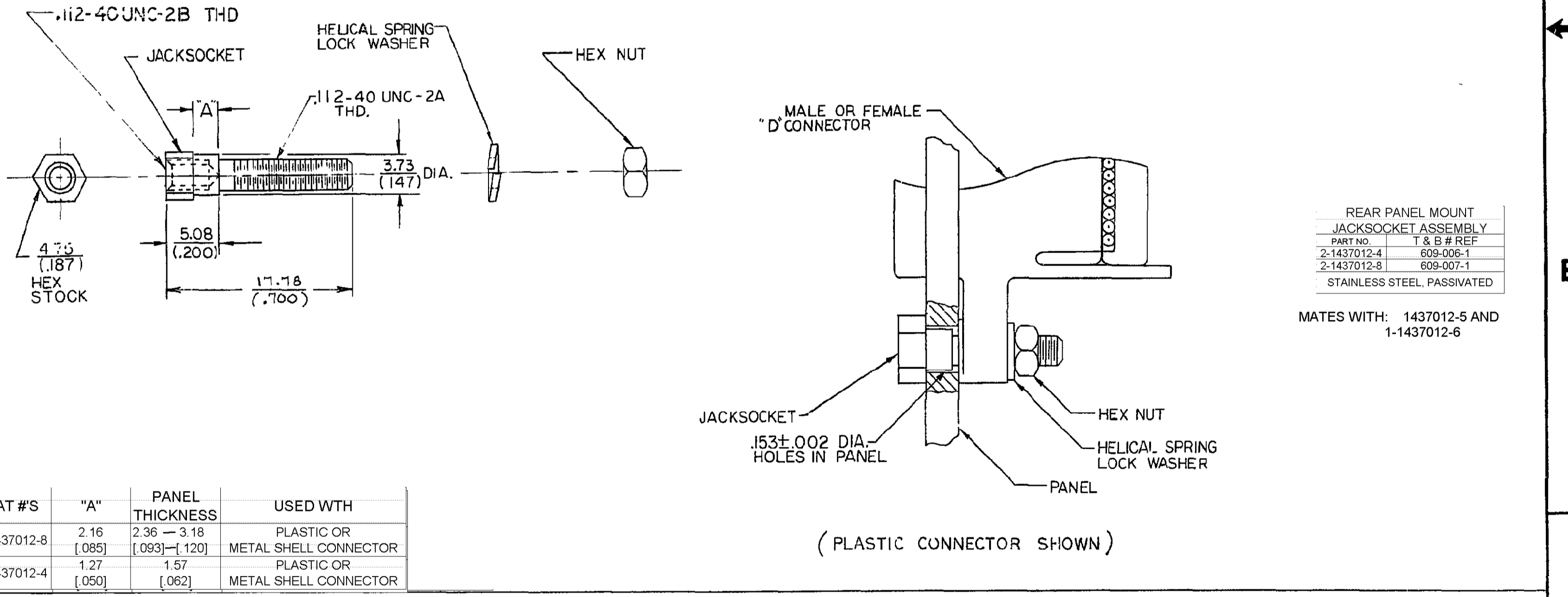
1. HARDWARE SHOWN IS COMPATIBLE WITH FORMER T&B BACKSHELLS AND CONNECTORS ONLY.

2 OBSOLETE PARTS: OBSOLETE CIS STREAMLINING PER D.RENAUD/D.SINISI



OBSOLETE

BACKSHELL SCREWLOCK
ASSEMBLY
2-1437012-1 (609-005 REF)
STAINLESS STEEL,
PASSIVATED

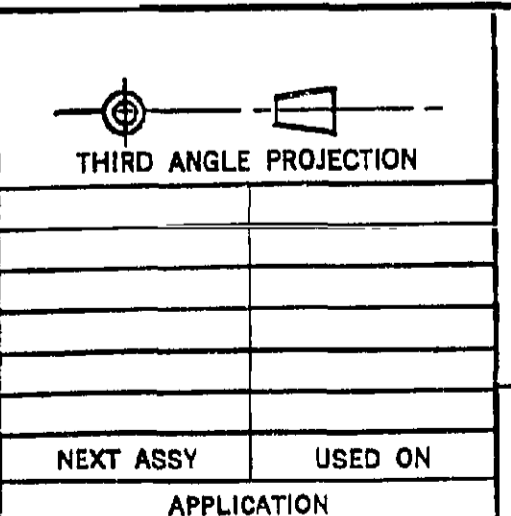


REAR PANEL MOUNT
JACKSCREW ASSEMBLY
PART NO. T & B REF
2-1437012-4 609-006-1
2-1437012-8 609-007-1
STAINLESS STEEL, PASSIVATED

MATES WITH: 1-1437012-5 AND
1-1437012-6

| CAT #S | "A" | PANEL THICKNESS | USED WITH |
|-------------|----------------|--------------------------------|-------------------------------------|
| 2-1437012-8 | 2.16 (.085) | 2.36 - 3.18 [.093] - [1.20] | PLASTIC OR METAL SHELL CONNECTOR |
| 2-1437012-4 | 1.27 (.050) | 1.57 [.062] | PLASTIC OR METAL SHELL CONNECTOR |

| | | | | |
|-----|---------------------------|---------|-----|------|
| P | REVISED PER ECO-11-004835 | 21MAR11 | RK | HMR |
| REV | REVISION RECORD | DATE | DWN | APVD |



UNLESS OTHERWISE SPECIFIED, DIMENSIONS ARE IN M.M.(INCHES)

TOLERANCES —
FRACTIONS =
ANGLES =
DECIMALS .XX (.XXX) ±
X (.XX) ±

| FIND NO. | QTY REQD | CODE IDENT | PART NO. | DESCRIPTION | ZONE |
|-------------------|----------|------------|----------|-------------|------|
| LIST OF MATERIALS | | | | | |
| DRAWN | | | | | |
| CHECKED | | | | | |
| APPROVED | | | | | |
| APPROVED | | | | | |
| APPROVED | | | | | |

STE TE Connectivity

TITLE
D CONNECTOR
MOUNTING ACCESSORY HARDWARE

| | | | |
|------|----------------|-----------|------|
| SIZE | CODE IDENT NO. | NUMBER | REV. |
| D | 15912 | 1437012-1 | P |

SCALE N T S Customer Drawing SHEET OF

X-ON Electronics

Largest Supplier of Electrical and Electronic Components

Click to view similar products for [D-Sub Tools & Hardware](#) category:

Click to view products by [TE Connectivity](#) manufacturer:

Other Similar products are found below :

[000-01-09-132](#) [000-01-21-132](#) [000-01-31-162](#) [572019-00105-70](#) [000-01-37-162](#) [621-250-113-115](#) [D110550-2](#) [D20418-137](#) [D2041839](#) [780-518-50SG6-WS](#) [86552009](#) [86553115TLF](#) [86553117TLF](#) [1230032-1](#) [1-5021101-2](#) [1589283-4](#) [160-000-005R031](#) [16-000230](#) [160-025-004R031](#) [160-000-137R000](#) [160-020-209R000](#) [164C03939A](#) [177-505-A-2-2](#) [1-966830-8](#) [21018-6](#) [21028-2](#) [2-1393560-9](#) [JS-1000](#) [L17D204182M3E](#) [L17D53018](#) [300X10779X](#) [160X10189X](#) [160X10419X](#) [160X10959X](#) [162-000-050R000](#) [21018-5](#) [212561-3](#) [248C21550X](#) [CF15P](#) [QLOCKPOST-2](#) [D110277](#) [500-008NF1K-01](#) [500-008NF3R3KS-01](#) [500-017M09FN](#) [500-017M15MHN](#) [500-024M1](#) [500-068M3](#) [5-1393561-5](#) [C115373-0001](#) [C115373-0002](#)