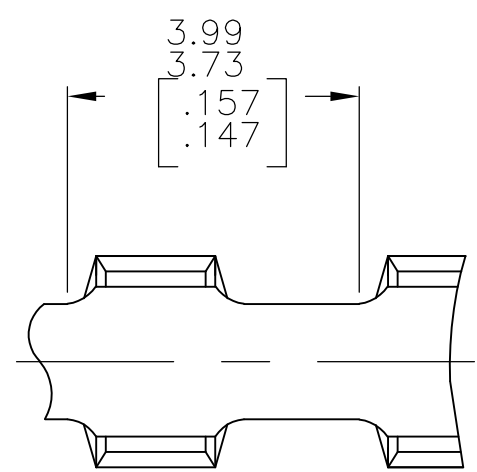
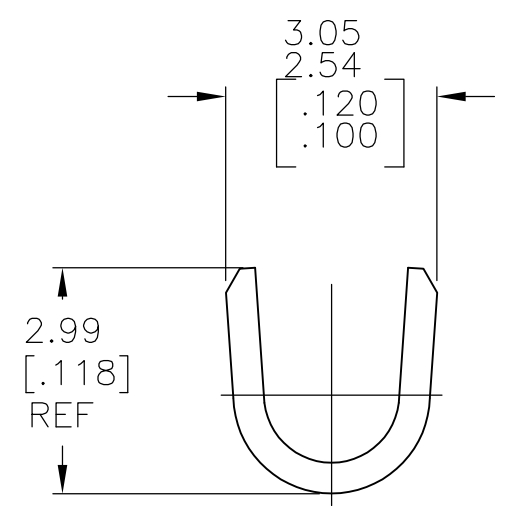
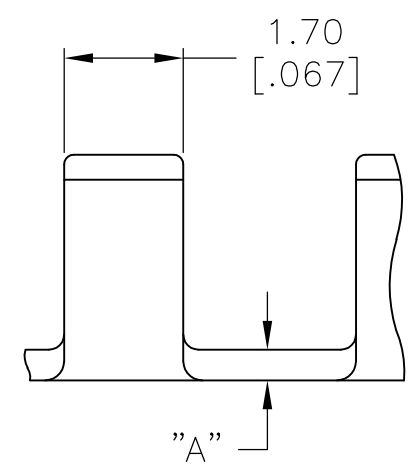


THIS DRAWING IS UNPUBLISHED. RELEASED FOR PUBLICATION
 © COPYRIGHT - By - ALL RIGHTS RESERVED.

LOC	DIST	REVISIONS			
P	LTR	DESCRIPTION	DATE	DWN	APVD
AF	50	G1	REVISED PER ECR-11-007368	30MAR09	HMR GP



- 1 PRODUCT PROVIDED IN CONTINUOUS (BREAK FREE) STRIP FORM ON REELS.
- 2 WIRE RANGE: 1.11-1.47mm²[2200 TO 2900 CMA]
- 3 CRIMP WIDTH: 2.29[.090] F TYPE.
 CRIMP HEIGHT IN INCHES (+/- .002) = (TOTAL CMA OF WIRE + 6550)/175000.



OBSOLETE	NONE	.016±.001	ANL. ST. STEEL	60933-3
	TIN	.012±.001	TEMP 2 STEEL	60933-2
OBSOLETE	TIN	.016±.001	082 BRASS	60933-1
	FINISH	"A" MATERIAL THICKNESS	MATERIAL	PART NO

THIS DRAWING IS A CONTROLLED DOCUMENT.		DWN RAGHAVENDRA 23FEB07	STE TE Connectivity	
DIMENSIONS: mm [INCHES]		CHK G.D.PORTA 23FEB07		
TOLERANCES UNLESS OTHERWISE SPECIFIED:		APVD G.D.PORTA 23FEB07	NAME	
0 PLC ± -		PRODUCT SPEC		
1 PLC ± -		APPLICATION SPEC		
2 PLC ± 0.25[.010]		114-2088		RESTRICTED TO
3 PLC ± -		SIZE		CAGE CODE
4 PLC ± -		A3 00779		DRAWING NO
ANGLES ± -		G-60933		SCALE
MATERIAL SEE TABLE		FINISH SEE TABLE		10:1
		CUSTOMER DRAWING		SHEET 1 OF 1
				REV G1

X-ON Electronics

Largest Supplier of Electrical and Electronic Components

Click to view similar products for [Terminals](#) category:

Click to view products by [TE Connectivity](#) manufacturer:

Other Similar products are found below :

[00-054007-01074-6](#) [00-054007-70206-1](#) [00-054007-70210-8](#) [00-054007-70217-7](#) [00-054007-70226-9](#) [00-054007-70228-3](#) [00-054007-70248-1](#) [00-054007-70256-6](#) [00-054007-70301-3](#) [00-054007-70316-7](#) [0-0320562-0](#) [00-054007-49560-4](#) [00-054007-70209-2](#) [00-054007-70225-2](#) [00-054007-70227-6](#) [00-054007-70231-3](#) [00-054007-70241-2](#) [00-054007-70242-9](#) [00-054007-70244-3](#) [00-054007-70246-7](#) [00-054007-70263-4](#) [00-054007-70288-7](#) [00-054007-70290-0](#) [00-054007-70300-6](#) [00-054007-70304-4](#) [01-2065-1-0216](#) [01-2900-1-04412](#) [00581P0075](#) [600TS-10](#) [60205-1](#) [604200-1](#) [605601-1](#) [60598-1-CUT-TAPE](#) [61314-6-C](#) [61810-3](#) [61-S](#) [61-SN](#) [626-0194](#) [62-NBM-A](#) [62-SN](#) [62-SP](#) [63-S](#) [640179-1](#) [M55155/059I03](#) [M55155/079C01](#) [M55155/099H02](#) [M55155/109H01](#) [M55155/109H02](#) [M55155/12XH05](#) [M55155/16XH02](#)