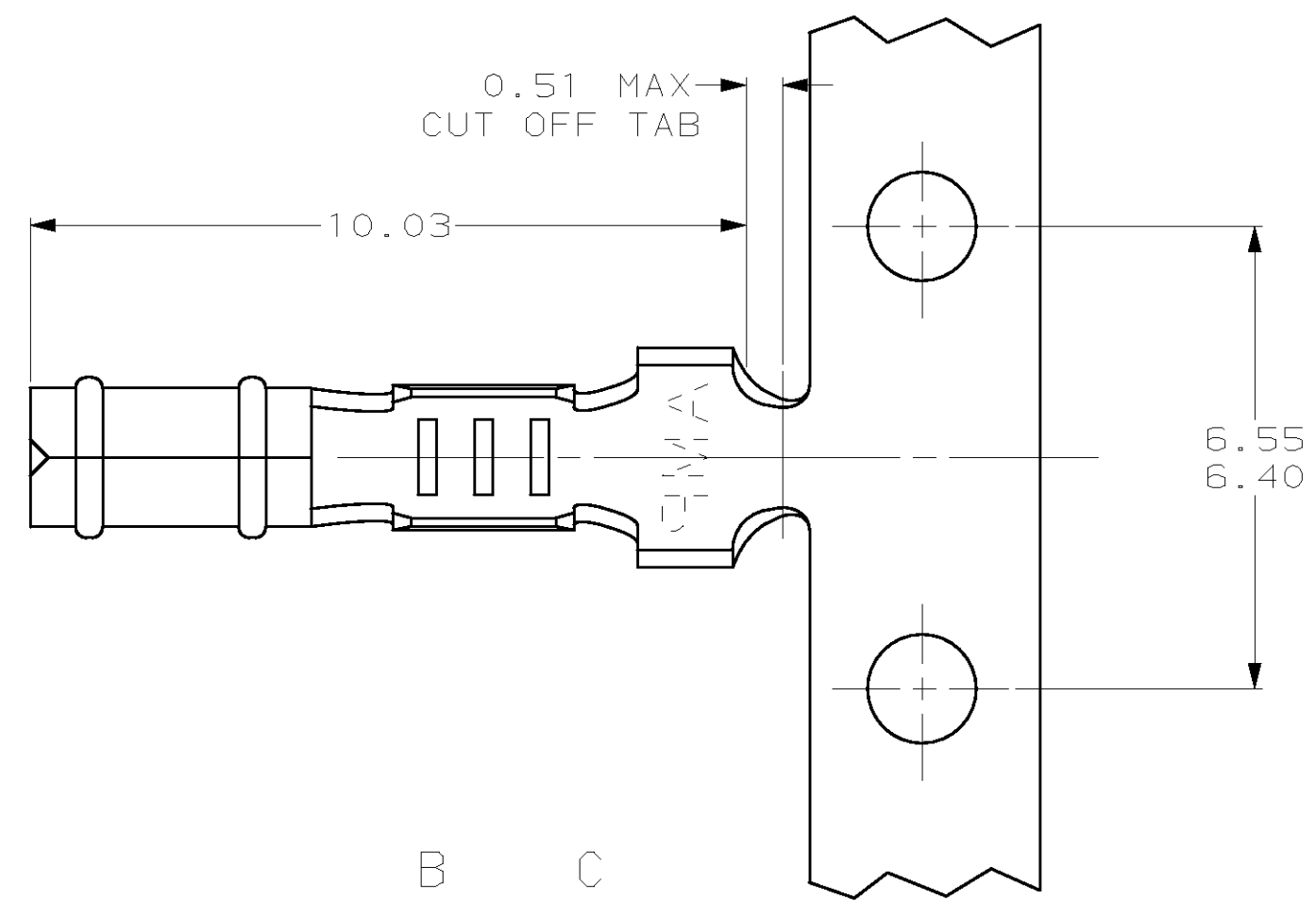


THIS DRAWING IS UNPUBLISHED. RELEASED FOR PUBLICATION  
 (C) COPYRIGHT 19 BY AMP INCORPORATED. ALL RIGHTS RESERVED.

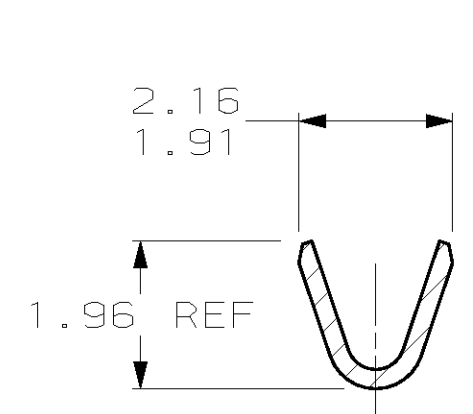
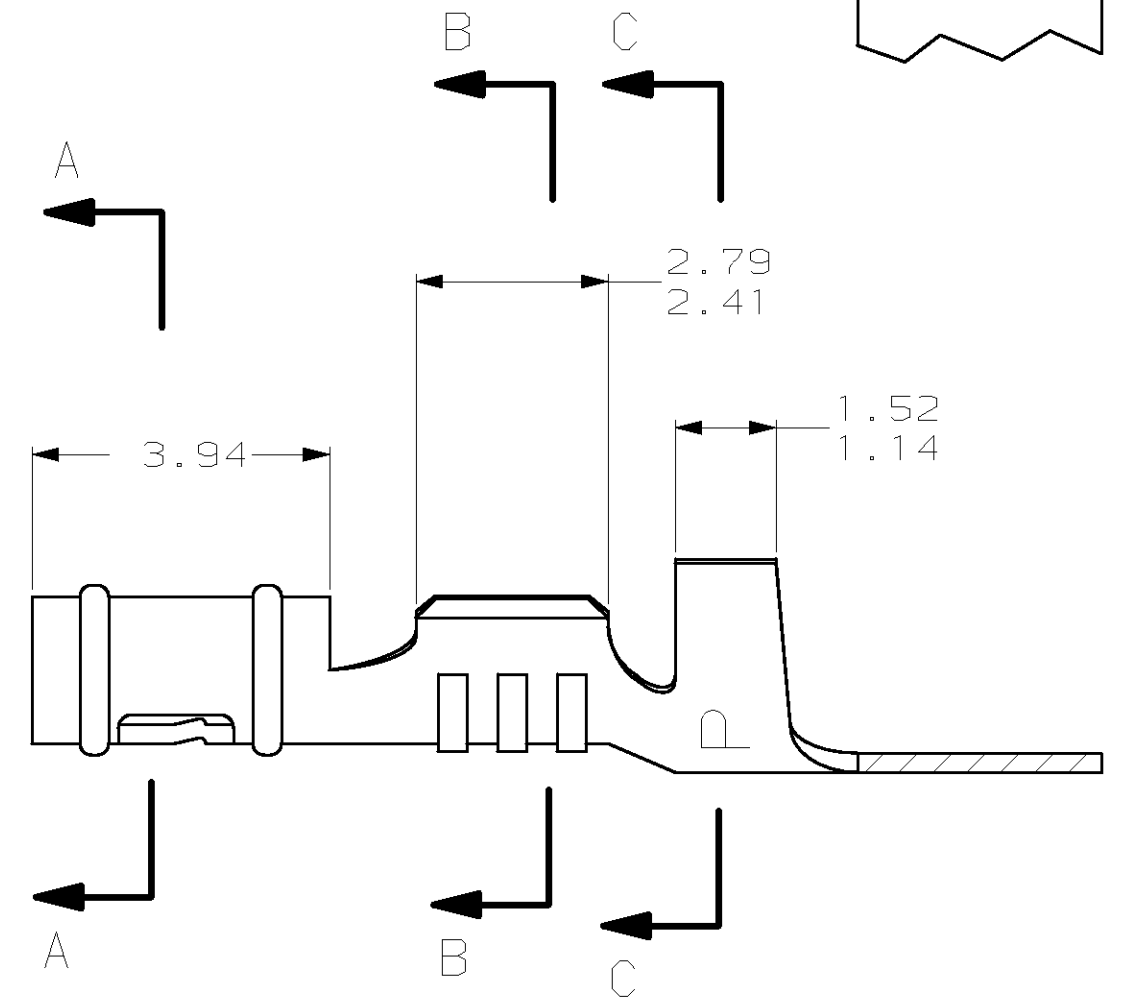
LOC	DIST	REVISIONS			
P	LTR	DESCRIPTION	DATE	DWN	APVD
CM	52	U	OBS -4 PER EC OL30-0251-97	8-31-98	JH RS



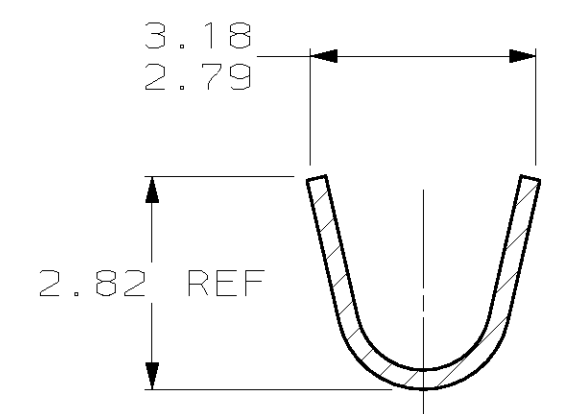
- 2. WIRE RANGE: 0.2 - 0.6 MM<sup>2</sup> (24 - 20 AWG)
- 3. INSULATION RANGE: 1.52 - 2.29
- △ 0.00203 MIN MATTE TIN PLATING OVER ALL.



SECTION A-A



SECTION B-B



SECTION C-C

△	0.25 BE CU	60939-2
PRE-TIN	0.25 PH BRZ	60939-1
FINISH	MATERIAL	PART NUMBER

MM	IN	MM	IN	MM	IN	MM	IN
1.359	.0535	2.16	.085	3.94	.155	-	-
1.14	.045	1.96	.077	3.18	.125	-	-
0.51	.020	1.91	.075	2.82	.111	-	-
0.25	.010	1.52	.060	2.79	.110	10.03	.395
0.13	.005	1.486	.0585	2.41	.095	6.55	.258
0.00203	.000080	1.47	.058	2.29	.090	6.40	.252
MM	IN	MM	IN	MM	IN	MM	IN

CONVERSION TABLE

**METRIC**

THIS DRAWING IS A CONTROLLED DOCUMENT.

DWN	T. BECK	5-19-97
CHK	R. SWING	5-19-97
APVD	A. BEDDICK	8-08-97

AMP Incorporated  
 Harrisburg, PA 17105-3608

NAME: RECEPTACLE, .058 DIAMETER, 24-20 AWG, .060-.090 INSULATION, P.C. CONTACT

SIZE: A2 CAGE CODE: 00779 DRAWING NO: 60939

RESTRICTED TO: -

CUSTOMER DRAWING SCALE: 10:1 SHEET: 1 OF 1 REV: U

## X-ON Electronics

Largest Supplier of Electrical and Electronic Components

*Click to view similar products for [Headers & Wire Housings](#) category:*

*Click to view products by [TE Connectivity](#) manufacturer:*

Other Similar products are found below :

[95000-104TRLF](#) [10135584-644402LF](#) [DF62W-EP2022PCA](#) [95000-106TRLF](#) [DF62W-2022SCA](#) [DF62W-EP2022PC](#) [2203348](#) [DF62W-2022SC](#) [1084018](#) [1029039](#) [1084017](#) [802-10-012-10-002000](#) [1112640](#) [1112639](#) [000-34000](#) [0008550134](#) [0009482033](#) [0009507031](#) [57102-F02-18ULF](#) [57102-S06-03LF](#) [57202-S52-04LF](#) [PCN6-15S-2.5E](#) [0039019024](#) [58102-G61-06LF](#) [582553-1](#) [0009485154](#) [0009508121](#) [009176003701906](#) [0022285053](#) [0050291907](#) [018731A](#) [LY20-4P-DT1-P1E-BR](#) [02.125.8002.8](#) [60101931](#) [60598-1 \(Cut Strip\)](#) [M1625-3R/100](#) [61062-3](#) [61082-181009](#) [CSU011177004](#) [636-1427](#) [638009-1](#) [641938-9](#) [641991-4](#) [644168-1](#) [644827-2](#) [647662-1](#) [65039-019ELF](#) [65692-001LF](#) [65781-018](#) [65781-047](#)