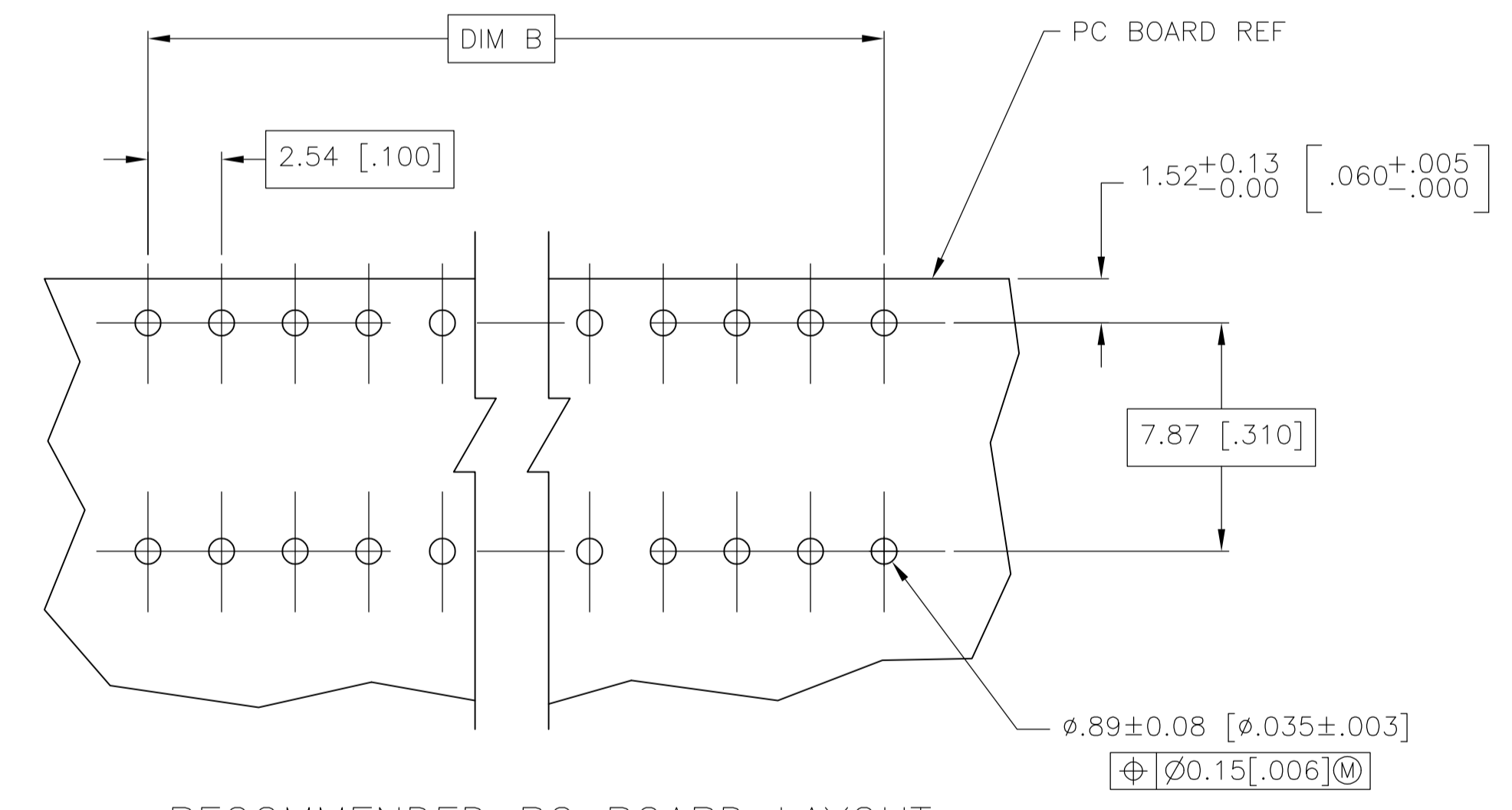
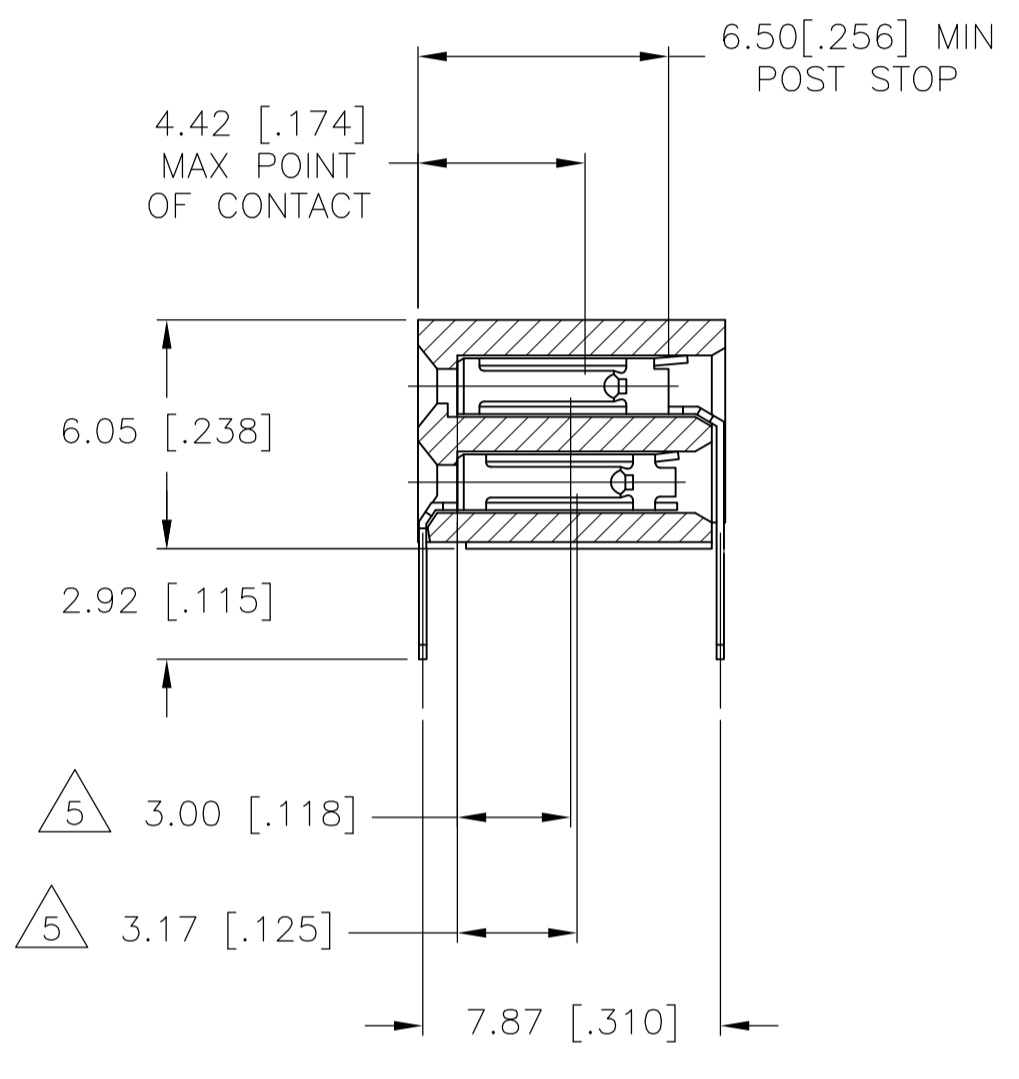
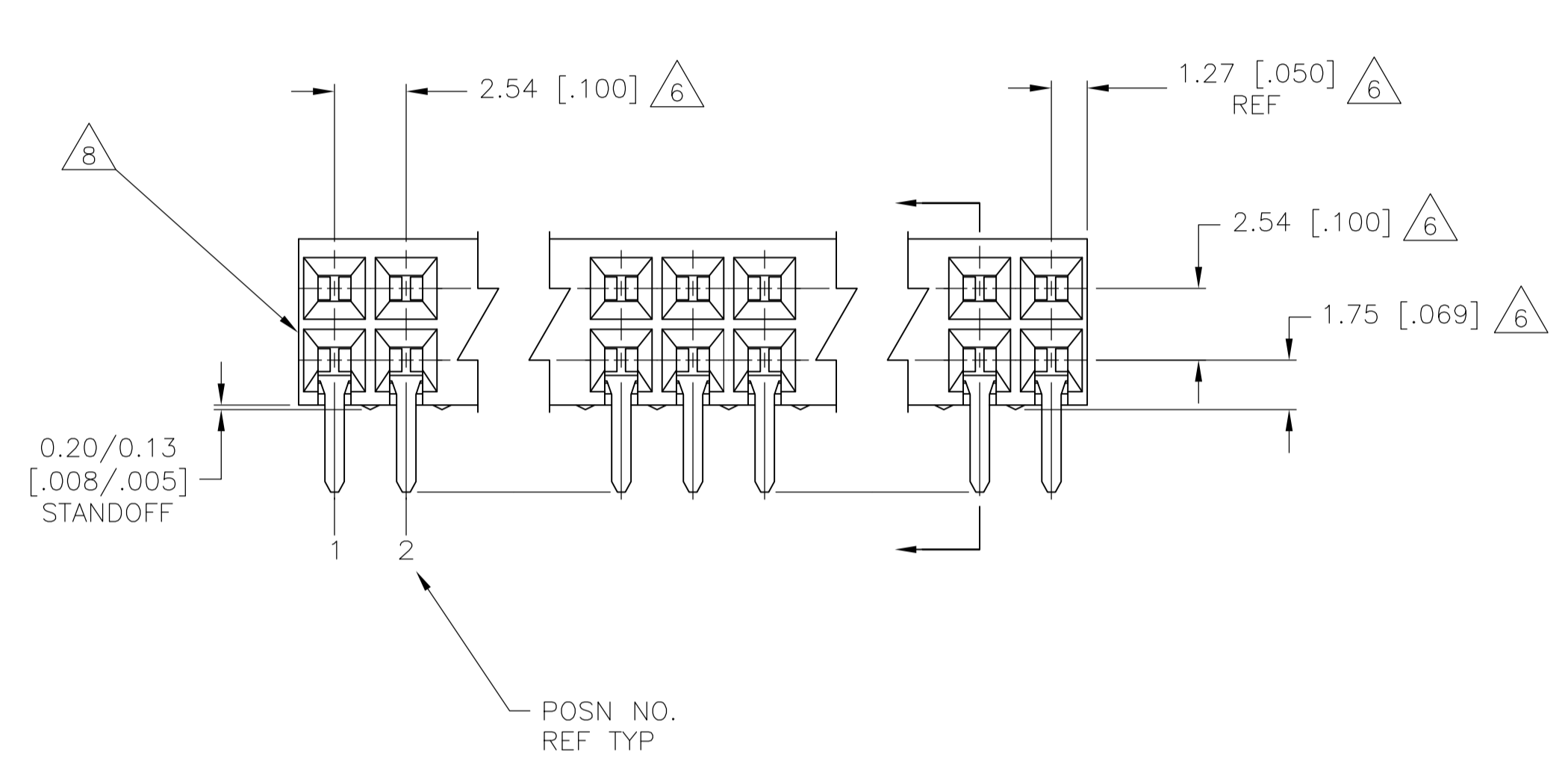
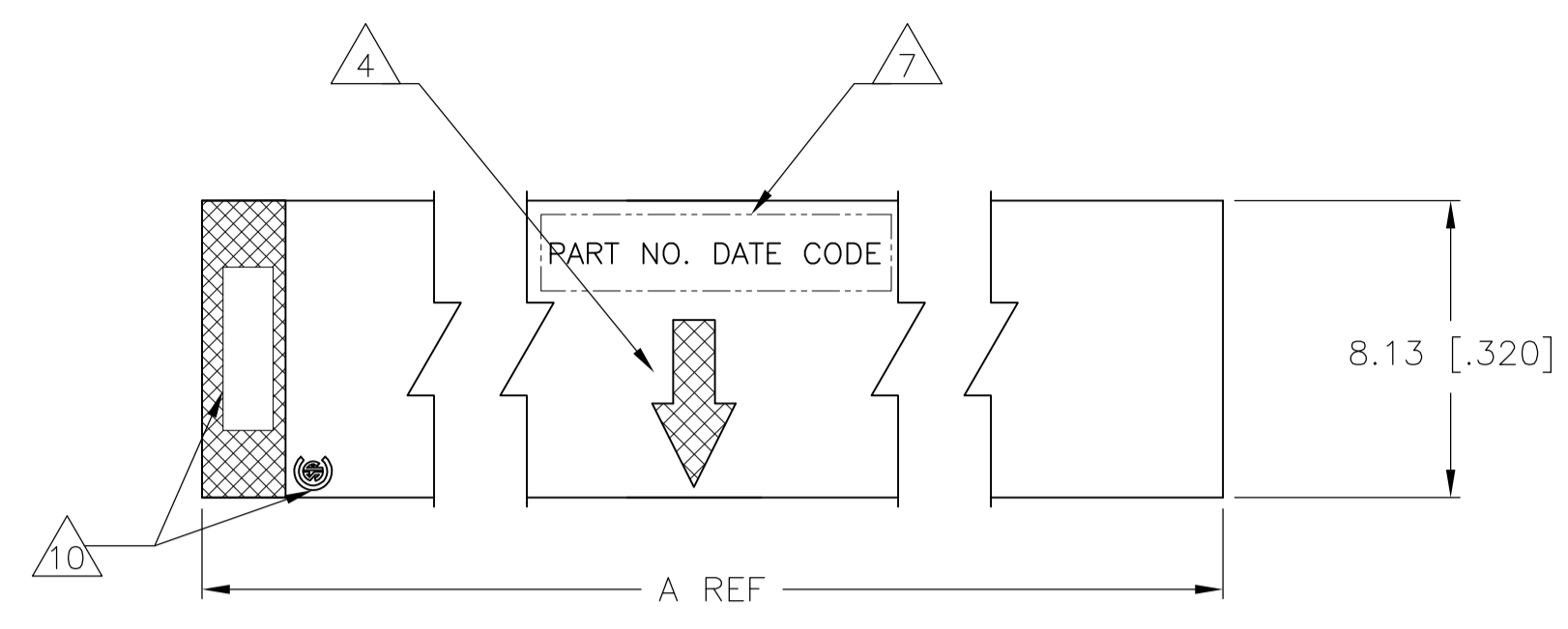


LOC		DIST		REVISIONS			
AD	00	F	LTR	DESCRIPTION	DATE	DMN	APVO
		Y4	REVISED	PER ECO-13-005565	29MAR13	KH	JO



RECOMMENDED PC BOARD LAYOUT

- 1 HOUSING MATERIAL: GLASS FILLED POLYESTER, COLOR- BLACK
- 2 CONTACT MATERIAL: PHOSPHOR BRONZE
- 3 CONTACT FINISH: 0.00254-0.00508[.000100-.000200] THK BRIGHT TIN-LEAD, ALL OVER 0.00127[.000050] NICKEL, ENTIRE CONTACT
- 4 MOLDED IN ARROW DESIGNATES THE MATING FACE OF THE CONNECTOR
- 5 POINT OF MEASUREMENT FOR PLATING THICKNESS OF CONTACT AREA
- 6 DIMENSIONS PERTAIN TO HOUSING CAVITY CENTERLINES
- 7 MARK PART NUMBER AND DATE CODE IN APPROXIMATE LOCATION SHOWN, EITHER END.
- 8 ALTERNATE LOCATION FOR DATE CODE FOR 4 AND 6 POSITION.
- 9 NO PART NUMBER MARKING REQUIRED FOR THIS PART.
- 10 TE LOGO AND CSA LOGO ARE MOLDED INTO HOUSING, THIS LOCATION.

NO. OF POSN	ASSEMBLY PART NUMBER
4	6-102084-4
6	6-102084-3
8	6-102084-2
10	6-102084-1
12	6-102084-0
14	5-102084-9
16	5-102084-8
18	5-102084-7
20	5-102084-6
22	5-102084-5
24	5-102084-4
26	5-102084-3
28	5-102084-2
30	5-102084-1
32	5-102084-0
34	4-102084-9
36	4-102084-8
38	4-102084-7
40	4-102084-6
42	4-102084-5
44	4-102084-4
46	4-102084-3
48	4-102084-2
50	4-102084-1
52	4-102084-0
54	3-102084-9
56	3-102084-8
58	3-102084-7
60	3-102084-6
62	3-102084-5
64	3-102084-4
66	3-102084-3
68	3-102084-2
70	3-102084-1
72	3-102084-0
74	2-102084-9
76	2-102084-8
78	2-102084-7
80	2-102084-6
82	2-102084-5
84	2-102084-4
86	2-102084-3
88	2-102084-2
90	2-102084-1
92	2-102084-0
94	1-102084-9
96	1-102084-8
98	1-102084-7
100	1-102084-6
102	1-102084-5
104	1-102084-4
106	1-102084-3
108	1-102084-2
110	1-102084-1
112	1-102084-0
114	102084-9
116	102084-8
118	102084-7
120	102084-6
122	102084-5
124	102084-4
126	102084-3
128	102084-2
130	102084-1

THIS DRAWING IS A CONTROLLED DOCUMENT.

DR: R BROWN 03JUN02
 CRK: J OLSON 03JUN02
 APVO: J OLSON 03JUN02

DIMENSIONS: mm TOLERANCES UNLESS OTHERWISE SPECIFIED:
 0. PLC ± -
 1. PLC ± -
 2. PLC ± -
 3. PLC ± 0.1[.005]
 4. PLC ± -
 ANGLES ± -

MATERIAL: 1 2 FINISH: 3

WEIGHT: - SIZE: A1 00779 C=102084
 CUSTOMER DRAWING SCALE: 5:1 SHEET: 1 OF 1 REV: Y4

STE TE Connectivity
 AMPMODU MOD II RECEPTACLE ASSEMBLY, HORIZONTAL, .100 CL, 2 ROW, CLOSED-ENTRY, SHORT POINT OF CONTACT, END-TO-END STACKABLE

X-ON Electronics

Largest Supplier of Electrical and Electronic Components

Click to view similar products for [Headers & Wire Housings](#) category:

Click to view products by [TE Connectivity](#) manufacturer:

Other Similar products are found below :

[95000-104TRLF](#) [10135584-644402LF](#) [DF62W-EP2022PCA](#) [95000-106TRLF](#) [DF62W-2022SCA](#) [DF62W-EP2022PC](#) [2203348](#) [DF62W-2022SC](#) [1084018](#) [1029039](#) [1084017](#) [802-10-012-10-002000](#) [1112640](#) [1112639](#) [000-34000](#) [0009482033](#) [0009507031](#) [57102-S06-03LF](#) [57202-S52-04LF](#) [PCN6-15S-2.5E](#) [0039019024](#) [58102-G61-06LF](#) [582553-1](#) [0009508121](#) [0050291907](#) [018731A](#) [LY20-4P-DT1-P1E-BR](#) [02.125.8002.8](#) [60101931](#) [60598-1 \(Cut Strip\)](#) [M1625-3R/100](#) [61062-3](#) [61082-181009](#) [636-1427](#) [638009-1](#) [641938-9](#) [641991-4](#) [644168-1](#) [647662-1](#) [65039-019ELF](#) [65817-002LF](#) [65817-015LF](#) [65863-015LF](#) [66207-023LF](#) [67016-026LF](#) [67046-001LF](#) [67095-007LF](#) [68002-116](#) [68016-236H](#) [68648-049](#)