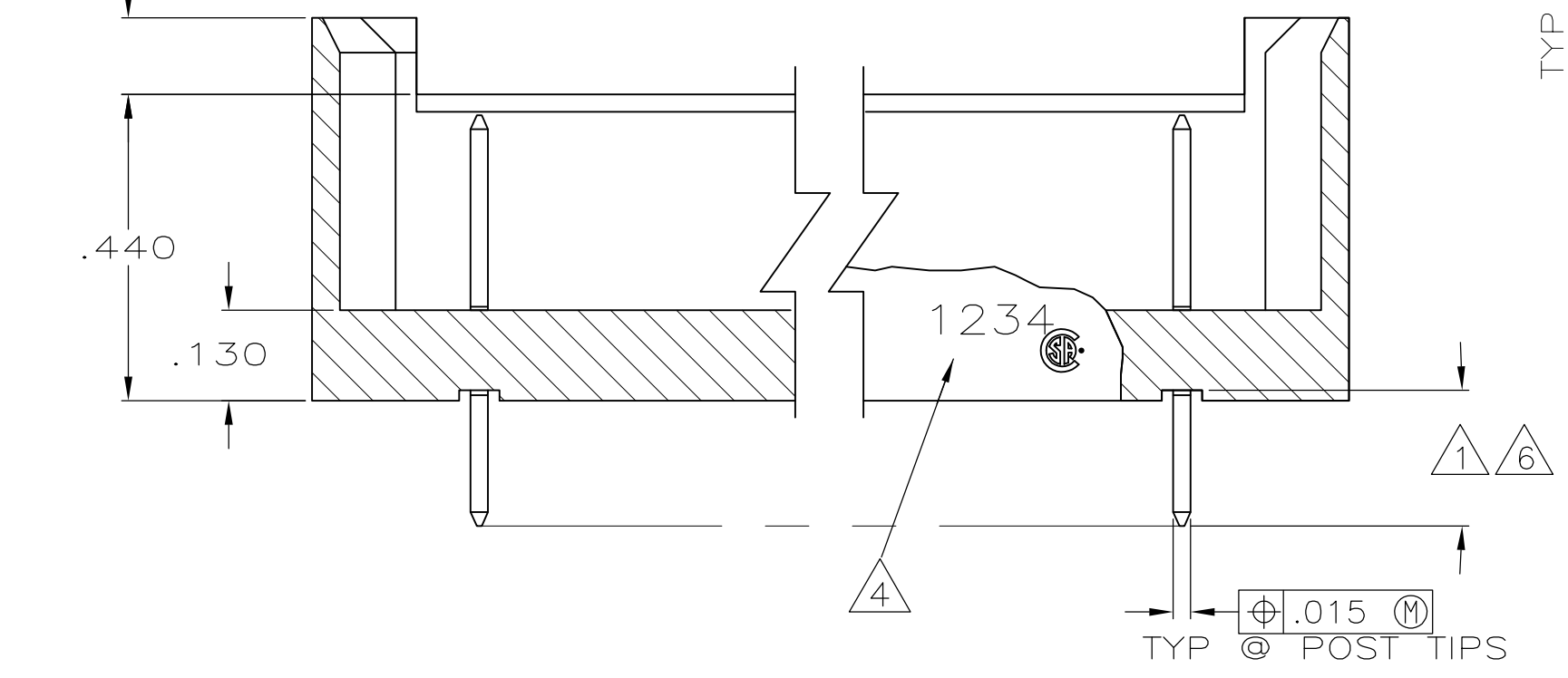
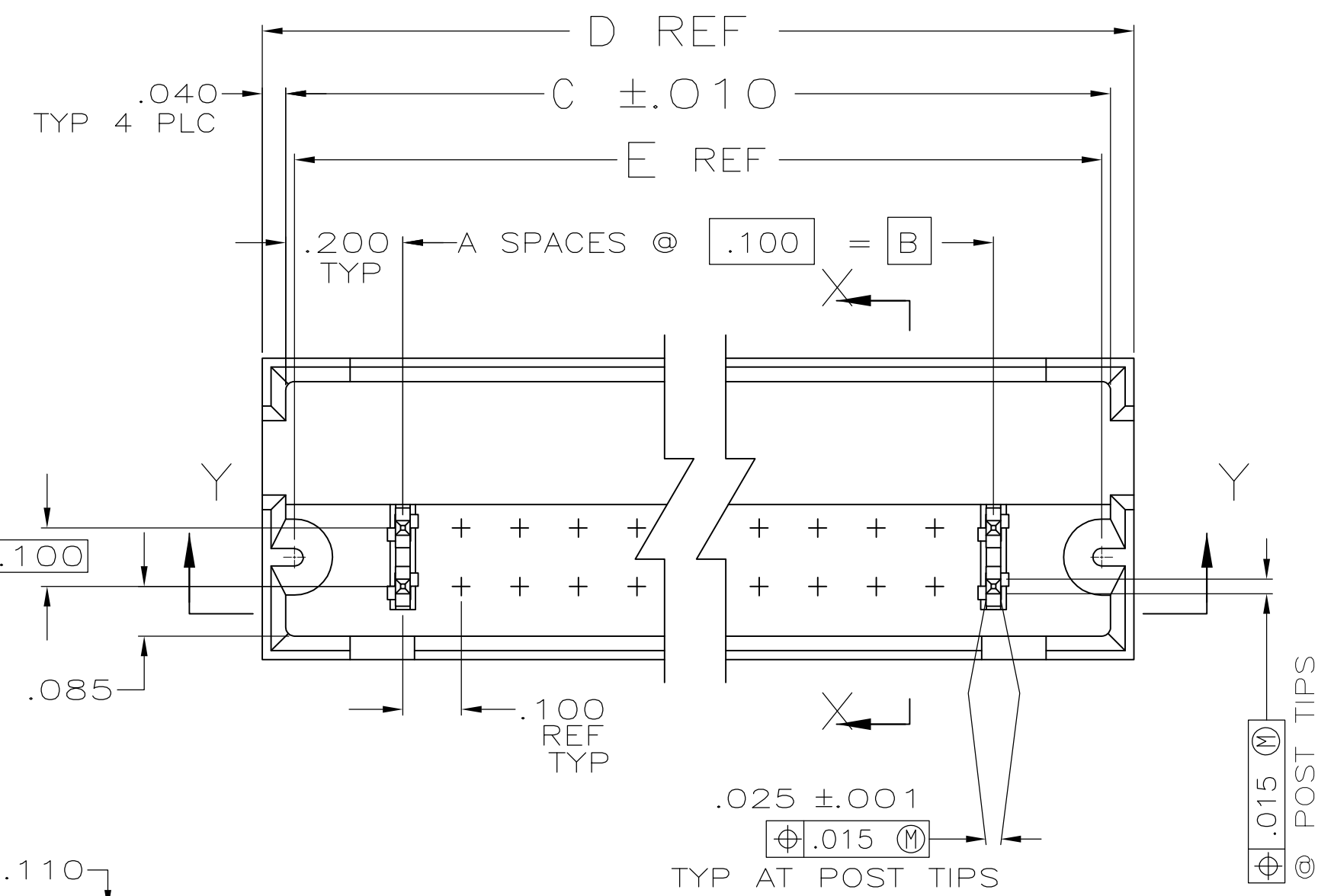
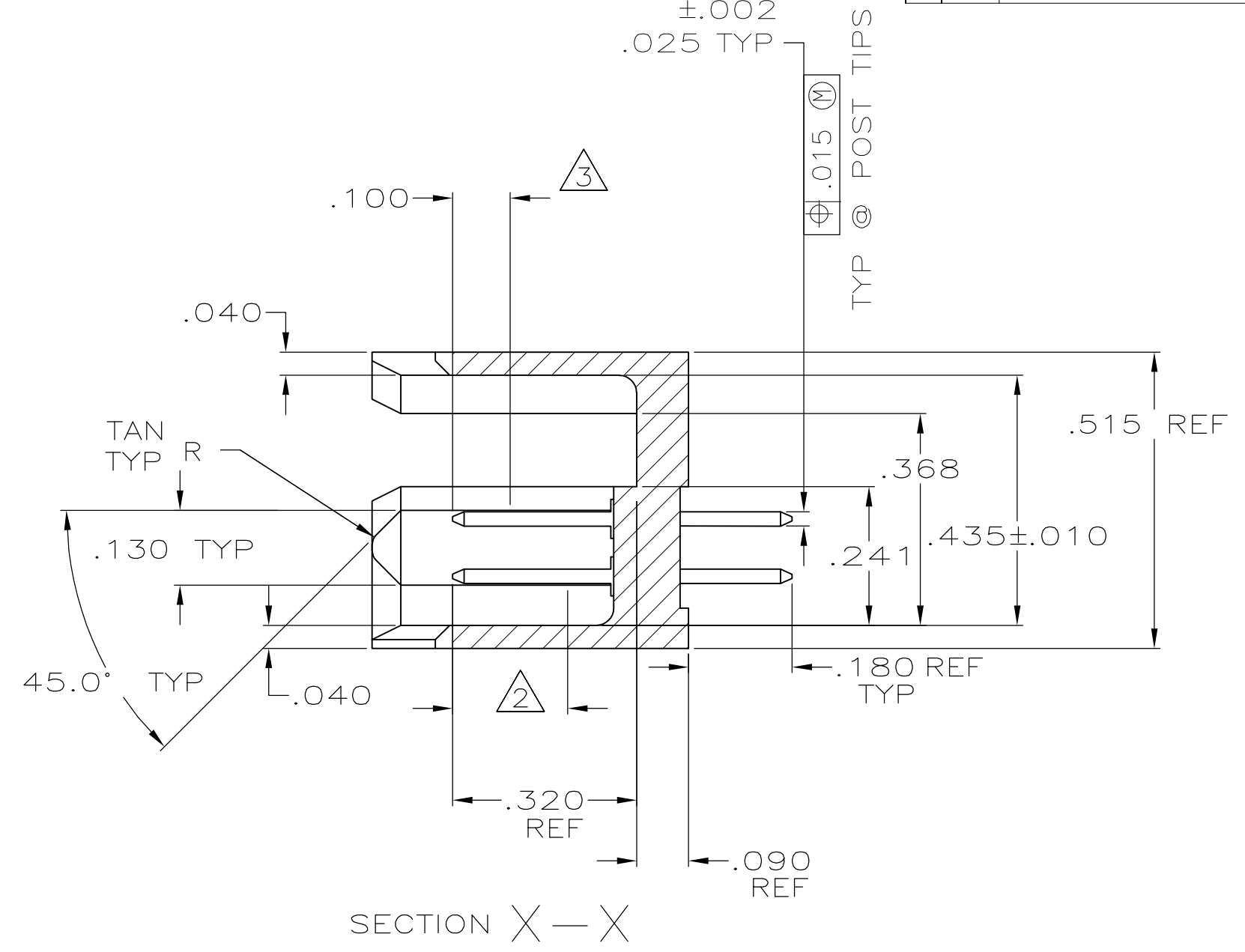
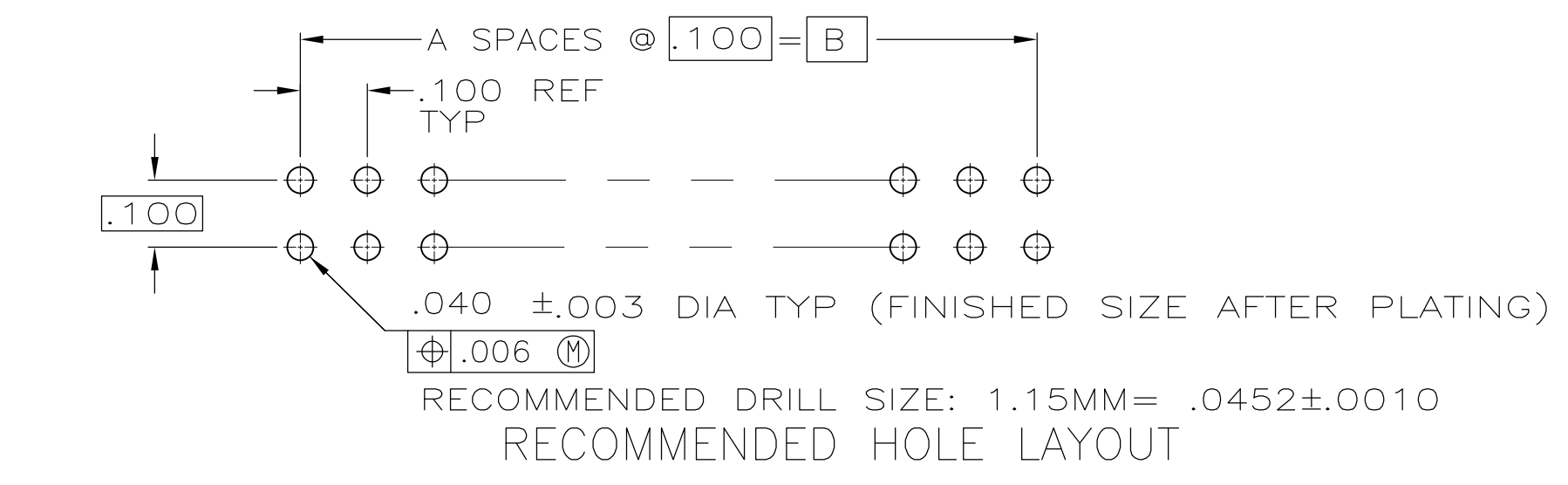


THIS DRAWING IS UNPUBLISHED. RELEASED FOR PUBLICATION
 © COPYRIGHT - By - ALL RIGHTS RESERVED.

| Loc | | DIST | | REVISIONS | | | |
|-----|-----|---------------------------|---------|-----------|------|--|--|
| P | LTR | DESCRIPTION | DATE | DWN | APVD | | |
| AD | 00 | | | | | | |
| | N5 | REVISED PER ECO-11-004587 | 11MAR11 | RK | HMR | | |



SECT Y-Y



SECTION X-X

- ① FINISH OVER INDICATED AREA: .000100-.000200 BRIGHT TIN LEAD OVER .000050 NICKEL.
- ② FINISH OVER INDICATED AREA: .000015 GOLD OVER .000050 NICKEL.
- ③ POINT OF MEASUREMENT FOR PLATING THICKNESS.
- ④ RECESSED DATE CODE AND CSA LOGO.
- ⑤ OBSOLETE PART NUMBER.
- ⑥ FINISH OVER INDICATED AREA: .000100-.000200 MATTE TIN OVER .000050 NICKEL.
- ⑦ PRELIMINARY PART.
- ⑧ ROHS 2002/95/EC COMPLIANT
- ⑨ HEADER: GLASS-FILLED, FLAME RETARDANT THERMOPLASTIC COLOR: BLACK POST: COPPER ALLOY
- ⑩ OBSOLETE PARTS: OBSOLETE CIS STREAMLINING PER D.RENAUD/D.SINISI

| | | | | | | | |
|--|--|------------------|-------------|------------------|--------------|-----------------|------------|
| THIS DRAWING IS A CONTROLLED DOCUMENT. | | DWN | B. HAYMAKER | 30MAR00 | | TE Connectivity | |
| DIMENSIONS: mm | | CHK | J. GESFORD | 30MAR00 | | NAME | |
| TOLERANCES UNLESS OTHERWISE SPECIFIED: | | APVD | J. GESFORD | 30MAR00 | PRODUCT SPEC | | |
| 0 PLC ± - | | APPLICATION SPEC | | SIZE | | CAGE CODE | DRAWING NO |
| 1 PLC ± - | | WEIGHT | | A2 | | 00779 | C=102567 |
| 2 PLC ± - | | MATERIAL | | CUSTOMER DRAWING | | SCALE | SHEET |
| 3 PLC ± .005 | | FINISH | | SEE NOTES | | 4:1 | 1 of 2 |
| 4 PLC ± - | | MATERIAL | | SEE NOTES | | RESTRICTED TO | REV |
| ANGLES ± - | | FINISH | | SEE NOTES | | N5 | |

THIS DRAWING IS UNPUBLISHED. RELEASED FOR PUBLICATION
 © COPYRIGHT - By - ALL RIGHTS RESERVED.

| LOC | DIST | REVISIONS | | | | | |
|-----|------|-----------|-----|-------------|------|-----|------|
| AD | 00 | P | LTR | DESCRIPTION | DATE | DWN | APVD |
| | | - | | SEE SHEET 1 | - | - | - |

| | | | | | | | | | |
|--------|----------|--------|--------|--------|-------|----|-------------|--|-------------|
| | | 1.870 | 1.980 | 1.900 | 1.500 | 15 | 32 | | 7-102567-9 |
| | OBSOLETE | 9.270 | 9.380 | 9.300 | 8.900 | 89 | 180 | | 7-102567-8 |
| | | 7.670 | 7.780 | 7.700 | 7.300 | 73 | 148 | | 7-102567-7 |
| | | 6.670 | 6.780 | 6.700 | 6.300 | 63 | 128 | | 7-102567-6 |
| | | 4.970 | 5.080 | 5.000 | 4.600 | 46 | 94 | | 7-102567-5 |
| | | 2.470 | 2.580 | 2.500 | 2.100 | 21 | 44 | | 7-102567-4 |
| | OBSOLETE | .970 | 1.080 | 1.000 | .600 | 6 | 14 | | 7-102567-3 |
| | | 8.270 | 8.380 | 8.300 | 7.900 | 79 | 160 | | 7-102567-2 |
| | OBSOLETE | 10.270 | 10.380 | 10.300 | 9.900 | 99 | 200 | | 7-102567-1 |
| | | 7.270 | 7.380 | 7.300 | 6.900 | 69 | 140 | | 7-102567-0 |
| | OBSOLETE | 6.770 | 6.880 | 6.800 | 6.400 | 64 | 130 | | 6-102567-9 |
| | | 1.070 | 1.180 | 1.100 | .700 | 7 | 16 | | 6-102567-8 |
| | OBSOLETE | 4.570 | 4.680 | 4.600 | 4.200 | 42 | 86 | | 6-102567-7 |
| | OBSOLETE | 3.870 | 3.980 | 3.900 | 3.500 | 35 | 72 | | 6-102567-6 |
| | OBSOLETE | 5.770 | 5.880 | 5.800 | 5.400 | 54 | 110 | | 6-102567-5 |
| | OBSOLETE | 4.770 | 4.880 | 4.800 | 4.400 | 44 | 90 | | 6-102567-4 |
| | | 1.770 | 1.880 | 1.800 | 1.400 | 14 | 30 | | 6-102567-3 |
| | | 2.270 | 2.380 | 2.300 | 1.900 | 19 | 40 | | 6-102567-2 |
| | | 1.270 | 1.380 | 1.300 | .900 | 9 | 20 | | 6-102567-1 |
| | OBSOLETE | 3.770 | 3.880 | 3.800 | 3.400 | 34 | 70 | | 6-102567-0 |
| | OBSOLETE | 5.270 | 5.380 | 5.300 | 4.900 | 49 | 100 | | 5-102567-9 |
| | OBSOLETE | 4.270 | 4.380 | 4.300 | 3.900 | 39 | 80 | | 5-102567-8 |
| | OBSOLETE | 6.270 | 6.380 | 6.300 | 5.900 | 59 | 120 | | 5-102567-7 |
| | OBSOLETE | 2.770 | 2.880 | 2.800 | 2.400 | 24 | 50 | | 5-102567-6 |
| | OBSOLETE | 5.070 | 5.180 | 5.100 | 4.700 | 47 | 96 | | 5-102567-5 |
| | OBSOLETE | 3.270 | 3.380 | 3.300 | 2.900 | 29 | 60 | | 5-102567-4 |
| | OBSOLETE | 2.070 | 2.180 | 2.100 | 1.700 | 17 | 36 | | 5-102567-3 |
| | OBSOLETE | 1.470 | 1.580 | 1.500 | 1.100 | 11 | 24 | | 5-102567-2 |
| | OBSOLETE | .870 | .980 | .900 | .500 | 5 | 12 | | 5-102567-1 |
| FINISH | | E | D | C | B | A | NO. OF POSN | | PART NUMBER |

| SUPERSEDED BY 5-102567-1 | | | | | | | | | | | | .870 | .980 | .900 | .500 | 5 | 12 | 3-102567-0 |
|--------------------------|----------|----------|--------|--------|--------|-------|-------------|-----|-------------|------------|------------|------|------|------|------|---|----|------------|
| | | OBSOLETE | | 1.870 | 1.980 | 1.900 | 1.500 | 15 | 32 | | 7-102567-9 | | | | | | | |
| | OBSOLETE | | 9.270 | 9.380 | 9.300 | 8.900 | 89 | 180 | | 7-102567-8 | | | | | | | | |
| | OBSOLETE | | 7.670 | 7.780 | 7.700 | 7.300 | 73 | 148 | | 7-102567-7 | | | | | | | | |
| | OBSOLETE | | 6.670 | 6.780 | 6.700 | 6.300 | 63 | 128 | | 7-102567-6 | | | | | | | | |
| | OBSOLETE | | 4.970 | 5.080 | 5.000 | 4.600 | 46 | 94 | | 7-102567-5 | | | | | | | | |
| | OBSOLETE | | 2.470 | 2.580 | 2.500 | 2.100 | 21 | 44 | | 7-102567-4 | | | | | | | | |
| | OBSOLETE | | .970 | 1.080 | 1.000 | .600 | 6 | 14 | | 7-102567-3 | | | | | | | | |
| | OBSOLETE | | 8.270 | 8.380 | 8.300 | 7.900 | 79 | 160 | | 7-102567-2 | | | | | | | | |
| | OBSOLETE | | 10.270 | 10.380 | 10.300 | 9.900 | 99 | 200 | | 7-102567-1 | | | | | | | | |
| | OBSOLETE | | 7.270 | 7.380 | 7.300 | 6.900 | 69 | 140 | | 7-102567-0 | | | | | | | | |
| | OBSOLETE | | 6.770 | 6.880 | 6.800 | 6.400 | 64 | 130 | | 6-102567-9 | | | | | | | | |
| | OBSOLETE | | 1.070 | 1.180 | 1.100 | .700 | 7 | 16 | | 6-102567-8 | | | | | | | | |
| | OBSOLETE | | 4.570 | 4.680 | 4.600 | 4.200 | 42 | 86 | | 6-102567-7 | | | | | | | | |
| | OBSOLETE | | 3.870 | 3.980 | 3.900 | 3.500 | 35 | 72 | | 6-102567-6 | | | | | | | | |
| | OBSOLETE | | 5.770 | 5.880 | 5.800 | 5.400 | 54 | 110 | | 6-102567-5 | | | | | | | | |
| | OBSOLETE | | 4.770 | 4.880 | 4.800 | 4.400 | 44 | 90 | | 6-102567-4 | | | | | | | | |
| | OBSOLETE | | 1.770 | 1.880 | 1.800 | 1.400 | 14 | 30 | | 6-102567-3 | | | | | | | | |
| | OBSOLETE | | 2.270 | 2.380 | 2.300 | 1.900 | 19 | 40 | | 6-102567-2 | | | | | | | | |
| | OBSOLETE | | 1.270 | 1.380 | 1.300 | .900 | 9 | 20 | | 6-102567-1 | | | | | | | | |
| | OBSOLETE | | 3.770 | 3.880 | 3.800 | 3.400 | 34 | 70 | | 6-102567-0 | | | | | | | | |
| | OBSOLETE | | 5.270 | 5.380 | 5.300 | 4.900 | 49 | 100 | | 5-102567-9 | | | | | | | | |
| | OBSOLETE | | 4.270 | 4.380 | 4.300 | 3.900 | 39 | 80 | | 5-102567-8 | | | | | | | | |
| | OBSOLETE | | 6.270 | 6.380 | 6.300 | 5.900 | 59 | 120 | | 5-102567-7 | | | | | | | | |
| | OBSOLETE | | 2.770 | 2.880 | 2.800 | 2.400 | 24 | 50 | | 5-102567-6 | | | | | | | | |
| | OBSOLETE | | 5.070 | 5.180 | 5.100 | 4.700 | 47 | 96 | | 5-102567-5 | | | | | | | | |
| | OBSOLETE | | 3.270 | 3.380 | 3.300 | 2.900 | 29 | 60 | | 5-102567-4 | | | | | | | | |
| | OBSOLETE | | 2.070 | 2.180 | 2.100 | 1.700 | 17 | 36 | | 5-102567-3 | | | | | | | | |
| | OBSOLETE | | 1.470 | 1.580 | 1.500 | 1.100 | 11 | 24 | | 5-102567-2 | | | | | | | | |
| | OBSOLETE | | .870 | .980 | .900 | .500 | 5 | 12 | | 5-102567-1 | | | | | | | | |
| FINISH | | E | D | C | B | A | NO. OF POSN | | PART NUMBER | | | | | | | | | |

| | | | | |
|--|--|-------------------------------|---|------------------------|
| THIS DRAWING IS A CONTROLLED DOCUMENT. | | DWN B. HAYMAKER 30MAR00 | TE Connectivity | |
| DIMENSIONS: mm | | CHK J. GESFORD 30MAR00 | | |
| TOLERANCES UNLESS OTHERWISE SPECIFIED: | | APVD J. GESFORD 30MAR00 | NAME HEADER ASSEMBLY, MOD II, .100 X .100CL | |
| 0 PLC ± - 1 PLC ± - 2 PLC ± - 3 PLC ± .005 4 PLC ± - ANGLES ± - | | PRODUCT SPEC - | RESTRICTED TO - | |
| MATERIAL - | | FINISH SEE NOTES | APPLICATION SPEC - | SIZE A2 |
| | | WEIGHT - | CAGE CODE 00779 | DRAWING NO C=102567 |
| | | CUSTOMER DRAWING | SCALE 4:1 | SHEET 2 of 2 |
| | | | REV N5 | |

X-ON Electronics

Largest Supplier of Electrical and Electronic Components

Click to view similar products for [Headers & Wire Housings](#) category:

Click to view products by [TE Connectivity](#) manufacturer:

Other Similar products are found below :

[892-18-020-10-001101](#) [58102-G61-06LF](#) [582553-1](#) [0009485154](#) [009176003701906](#) [0050291907](#) [LY20-4P-DT1-P1E-BR](#) [02.125.8002.8](#)
[609-3404](#) [61062-3](#) [61082-181009](#) [622-3653LF](#) [63453-116](#) [636-1030](#) [636-1427](#) [636-3427](#) [636-4007](#) [641938-9](#) [641991-4](#) [644827-2](#) [65817-](#)
[010LF](#) [65817-015LF](#) [65863-015LF](#) [66207-023LF](#) [67095-007LF](#) [67601157](#) [68645-018](#) [68648-049](#) [70.362.1628.0](#) [70-4210](#) [70-4226B](#) [70-](#)
[4853B](#) [707-5020](#) [707-5028](#) [71.350.2428.0](#) [71918-208LF](#) [71961-016LF](#) [733-134](#) [733-162](#) [754199-000](#) [760-3052](#) [787-8014-00](#) [79531-3000](#)
[FCN-360C032-B](#) [FCN-367T-T012/H](#) [FCN-723D010/2](#) [80.063.4001.1](#) [800-90-001-10-001000](#) [800-90-010-10-002000](#) [801-43-002-10-013000](#)