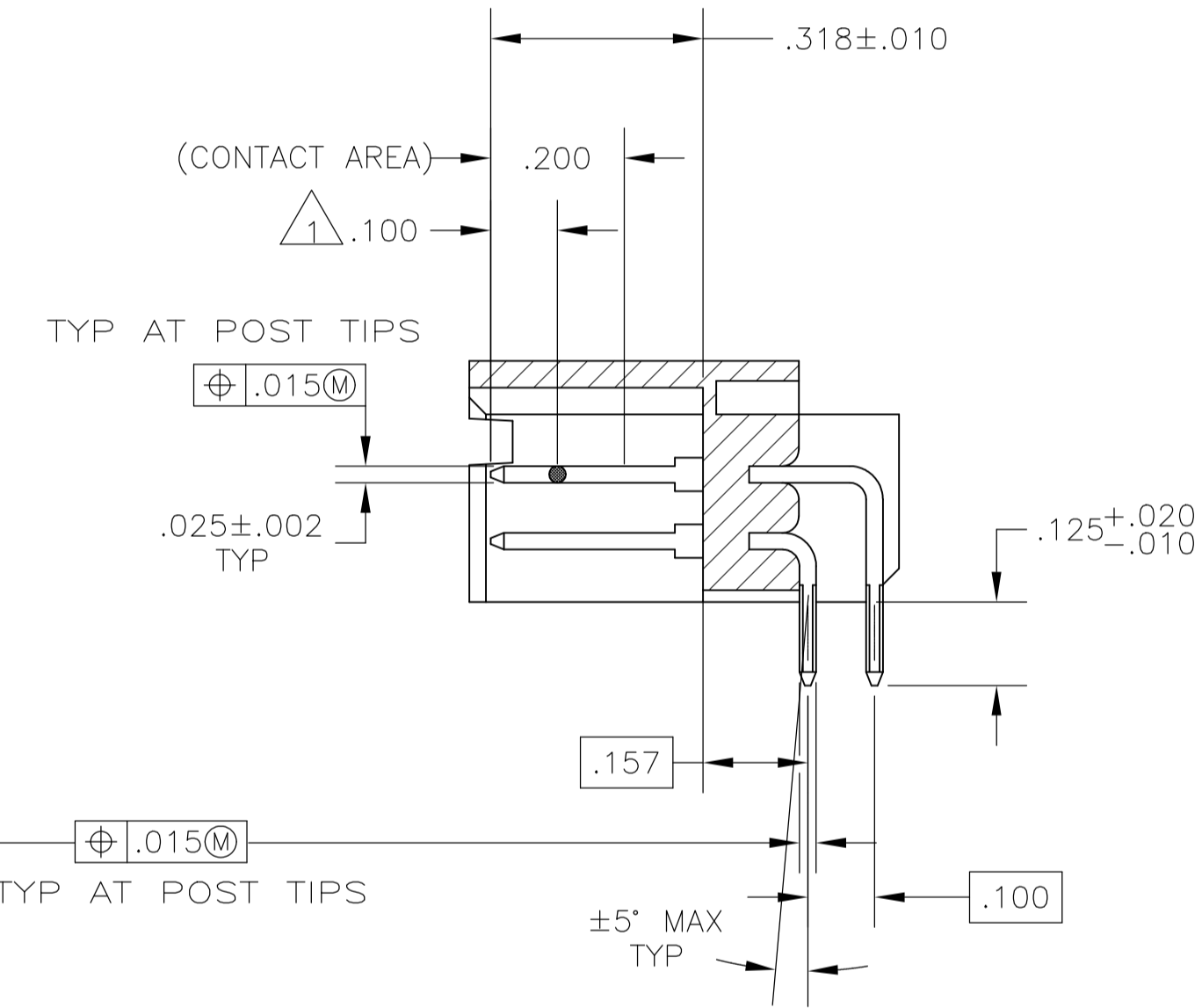
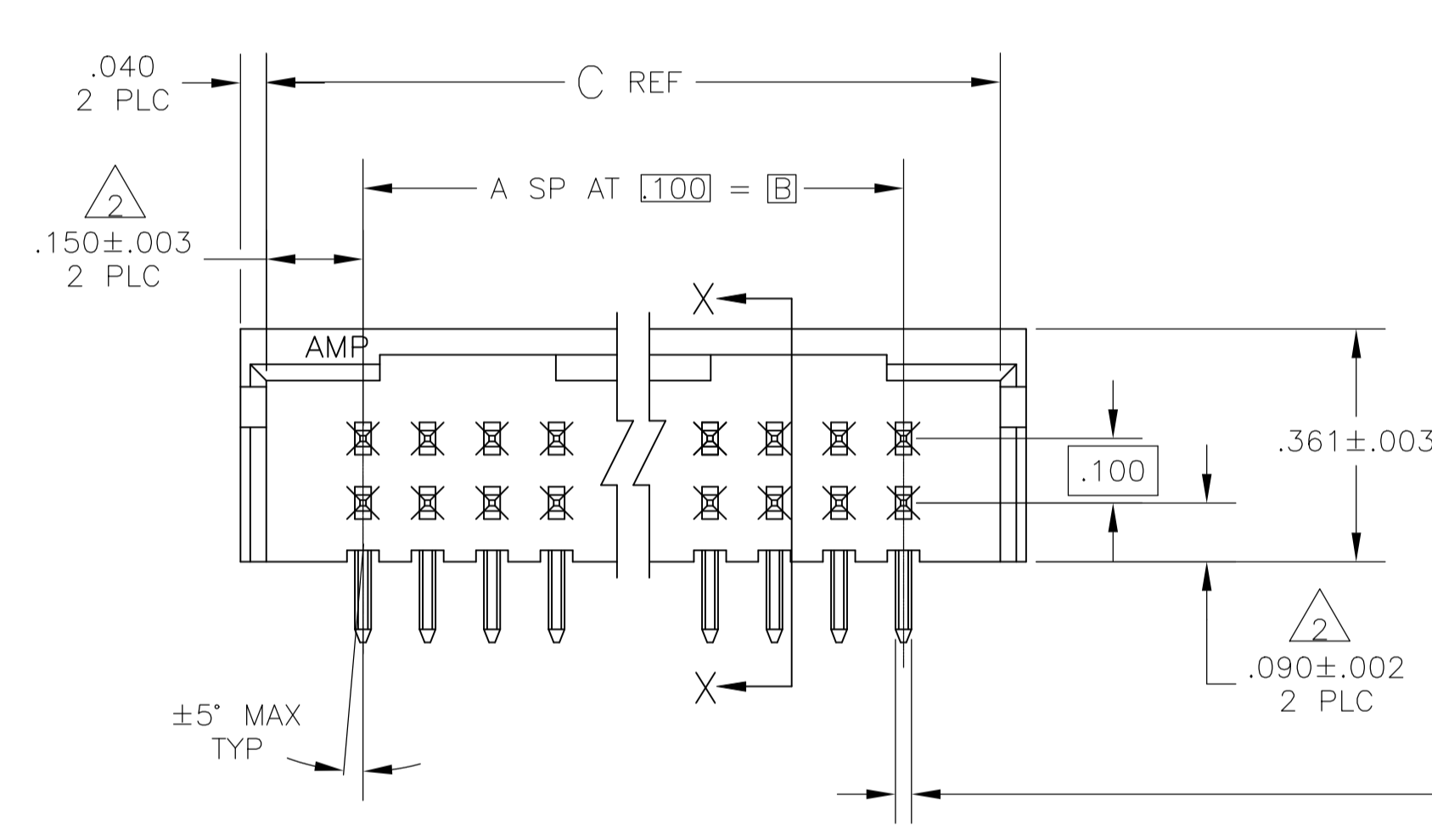
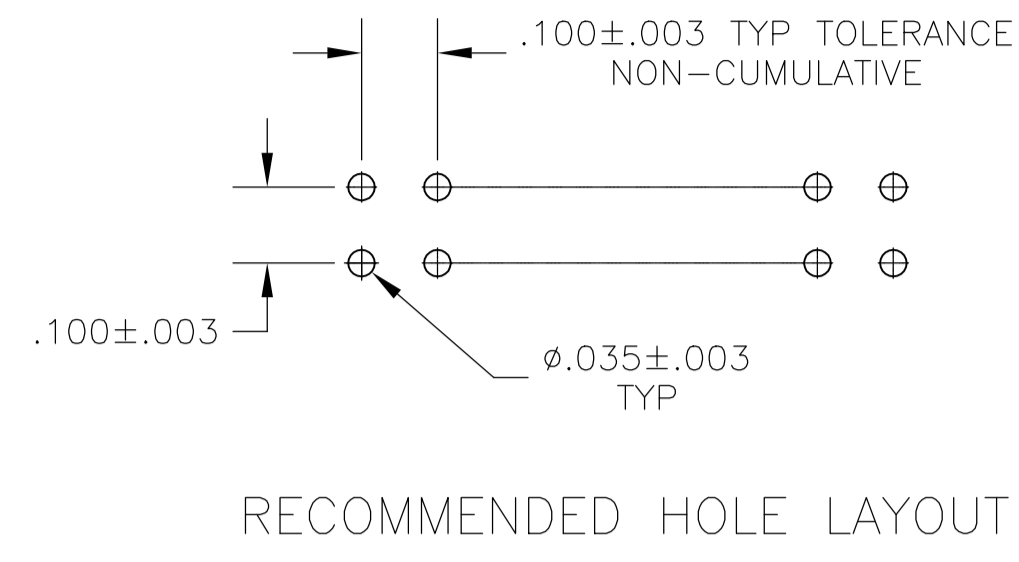
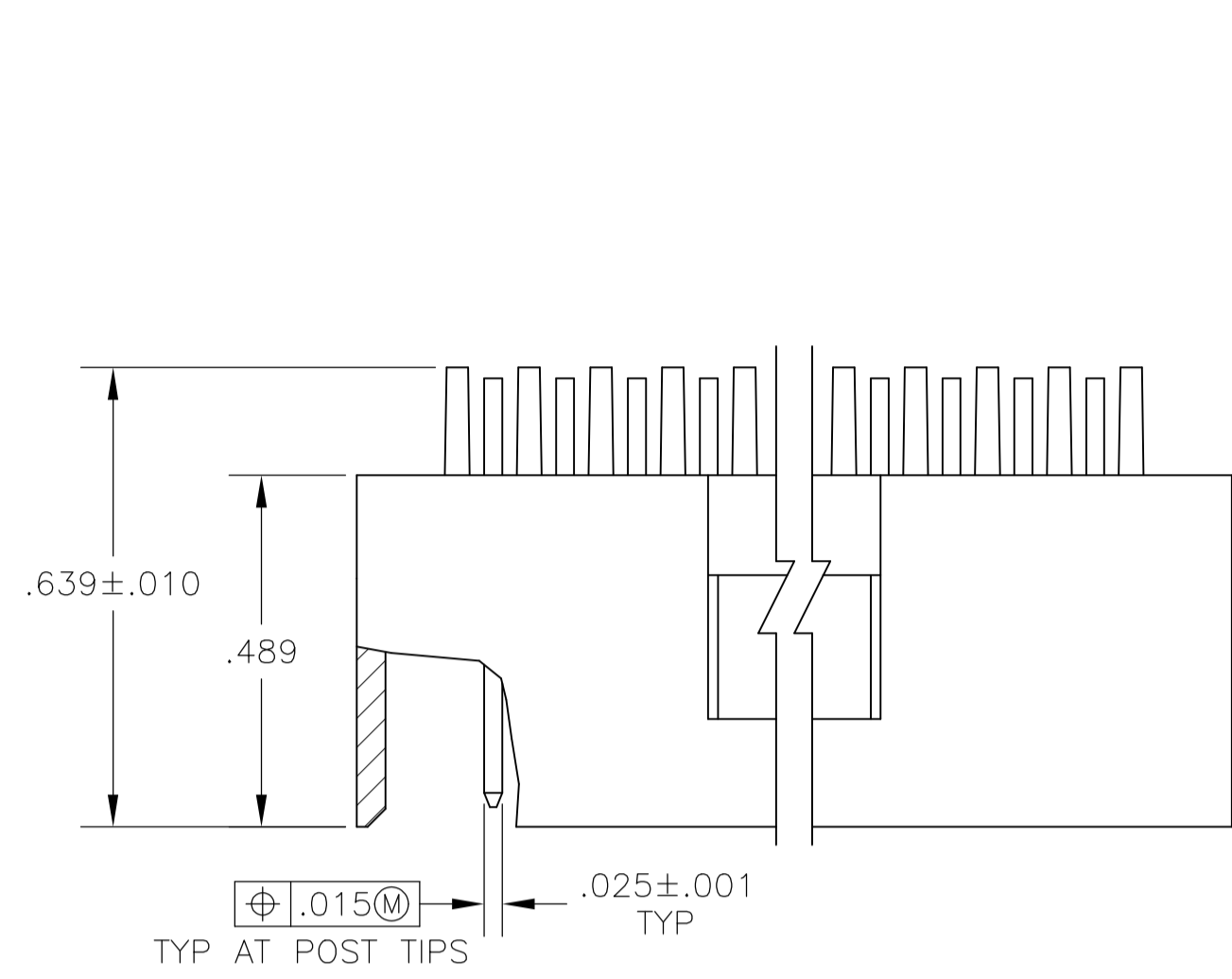


REVISIONS				
REV	BY	DESCRIPTION	DATE	APP'D
K2		PART STATUS UPDATED IN PART LIST TABLE	08FEB2018	SD PS



- 1 POINT OF MEASUREMENT FOR PLATING THICKNESS.
- 2 THE NOTED DIMENSION APPLIES AT THE INTERSECTION OF THE POST AND HOUSING
- 3 OBSOLETE PART NUMBER
- 4 POSTS: .000015 GOLD IN CONTACT AREA, .000100-.000200 MATTE TIN-LEAD ON SOLDER TAIL, ALL OVER .000050 NICKEL.
- 5 POSTS: .000015 GOLD IN CONTACT AREA, .000100-.000200 MATTE TIN ON SOLDER TAIL, ALL OVER .000050 NICKEL.
- 6 OBSOLETE PARTS: OBSOLETE CIS STREAMLINING PER D.RENAUD/D.SINISI

6	OBSOLETE	3.200	2.900	29	60	7-102620-6
5		2.700	2.400	24	50	7-102620-1
5		2.200	1.900	19	40	6-102620-6
5		1.900	1.600	16	34	6-102620-3
5		1.700	1.400	14	30	6-102620-1
5		1.500	1.200	12	26	5-102620-9
5		1.400	1.100	11	24	5-102620-8
5		1.200	.900	9	20	5-102620-6
5		1.100	.800	8	18	5-102620-5
5		1.000	.700	7	16	5-102620-4
5		.900	.600	6	14	5-102620-3
5		.800	.500	5	12	5-102620-2
5		.700	.400	4	10	5-102620-1
4		3.800	3.500	35	72	3-102620-2
4		3.700	3.400	34	70	3-102620-1
4		3.600	3.300	33	68	3-102620-0
4		3.500	3.200	32	66	2-102620-9
4		3.400	3.100	31	64	2-102620-8
4		3.300	3.000	30	62	2-102620-7
6	OBSOLETE	3.200	2.900	29	60	2-102620-6
4		3.100	2.800	28	58	2-102620-5
4		3.000	2.700	27	56	2-102620-4
4		2.900	2.600	26	54	2-102620-3
4		2.800	2.500	25	52	2-102620-2
6	OBSOLETE	2.700	2.400	24	50	2-102620-1
4		2.600	2.300	23	48	2-102620-0
4		2.500	2.200	22	46	1-102620-9
4		2.400	2.100	21	44	1-102620-8
4		2.300	2.000	20	42	1-102620-7
6	OBSOLETE	2.200	1.900	19	40	1-102620-6
4		2.100	1.800	18	38	1-102620-5
4		2.000	1.700	17	36	1-102620-4
6	OBSOLETE	1.900	1.600	16	34	1-102620-3
4		1.800	1.500	15	32	1-102620-2
6	OBSOLETE	1.700	1.400	14	30	1-102620-1
6	OBSOLETE	1.600	1.300	13	28	1-102620-0
6	OBSOLETE	1.500	1.200	12	26	102620-9
4		1.400	1.100	11	24	102620-8
4		1.300	1.000	10	22	102620-7
4		1.200	.900	9	20	102620-6
4		1.100	.800	8	18	102620-5
4		1.000	.700	7	16	102620-4
4		.900	.600	6	14	102620-3
4		.800	.500	5	12	102620-2
4		.700	.400	4	10	102620-1

THIS DRAWING IS A CONTROLLED DOCUMENT. DIM H MOLL 16NOV87
 DWR R FEJDT 16NOV87
 APVD R FLICKER 17NOV87

STE TE Connectivity

HEADER ASSY, MOD II, DBL ROW,
 .100X.100 C/L, RIGHT ANGLE,
 (3) SIDED SHROUD

SIZE CAGE CODE DRAWING NO. RESTRICTED TO
 A1 00779 102620

CUSTOMER DRAWING SCALE 4:1 SHEET 1 OF 1 REV K2

X-ON Electronics

Largest Supplier of Electrical and Electronic Components

Click to view similar products for [Headers & Wire Housings](#) category:

Click to view products by [TE Connectivity](#) manufacturer:

Other Similar products are found below :

[892-18-020-10-001101](#) [58102-G61-06LF](#) [582553-1](#) [0009485154](#) [009176003701906](#) [0050291907](#) [LY20-4P-DT1-P1E-BR](#) [02.125.8002.8](#)
[609-3404](#) [61062-3](#) [61082-181009](#) [622-3653LF](#) [63453-116](#) [636-1030](#) [636-1427](#) [636-3427](#) [636-4007](#) [641938-9](#) [641991-4](#) [644827-2](#) [65817-010LF](#) [65817-015LF](#) [65863-015LF](#) [66207-023LF](#) [67095-007LF](#) [67601157](#) [68645-018](#) [68648-049](#) [70.362.1628.0](#) [70-4210](#) [70-4226B](#) [70-4853B](#) [707-5020](#) [707-5028](#) [71.350.2428.0](#) [71918-208LF](#) [71961-016LF](#) [733-134](#) [733-162](#) [754199-000](#) [760-3052](#) [787-8014-00](#) [79531-3000](#)
[FCN-360C032-B](#) [FCN-367T-T012/H](#) [FCN-723D010/2](#) [80.063.4001.1](#) [800-90-001-10-001000](#) [800-90-010-10-002000](#) [801-43-002-10-013000](#)