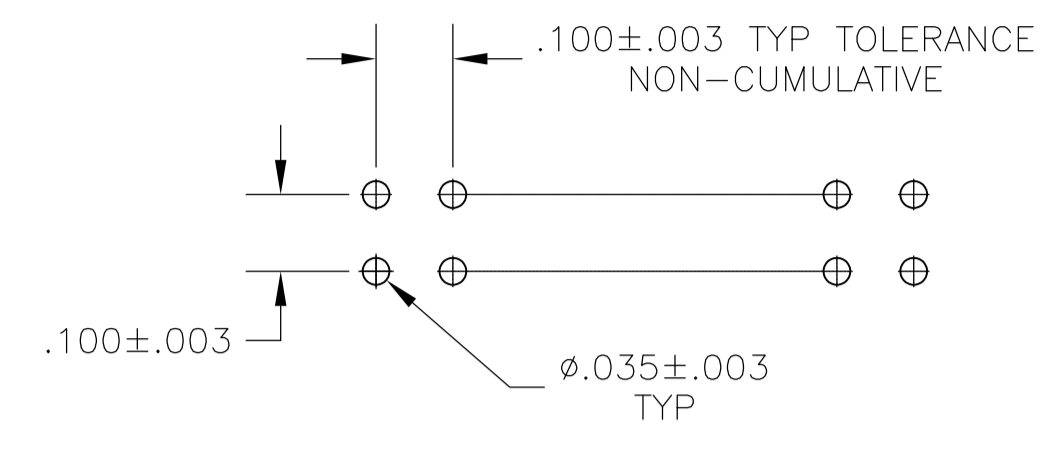
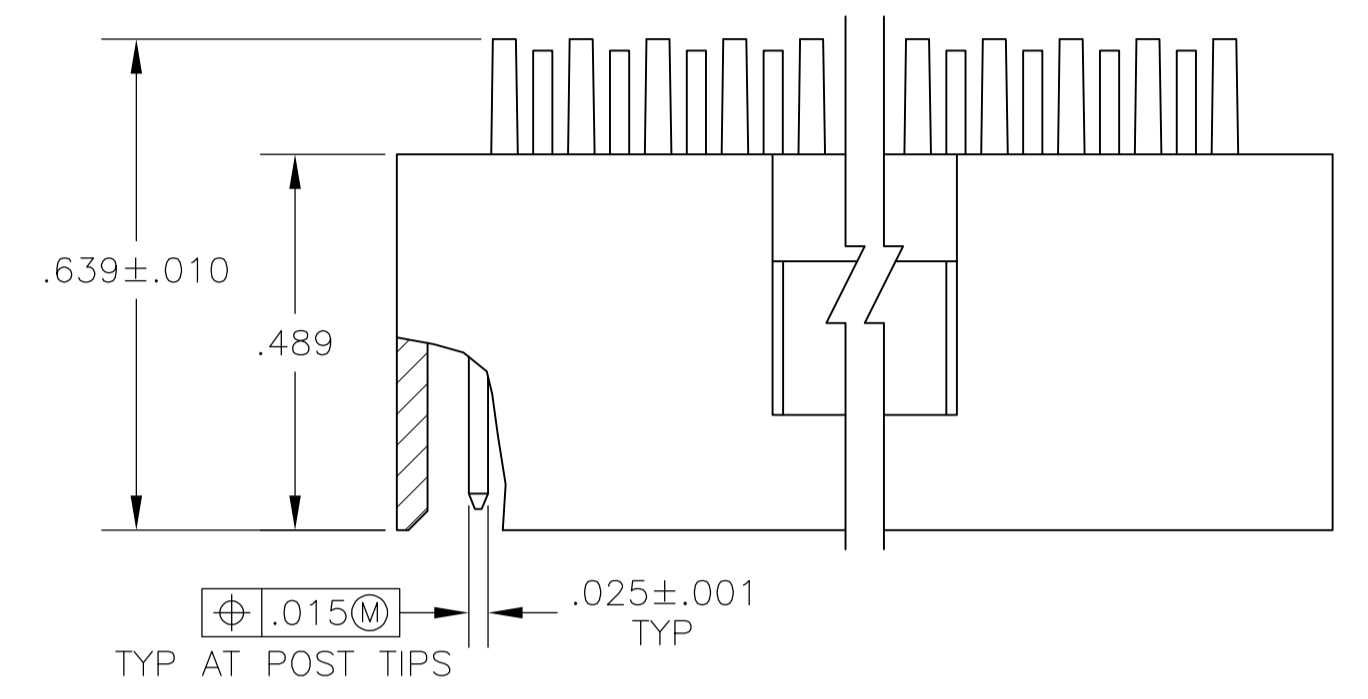
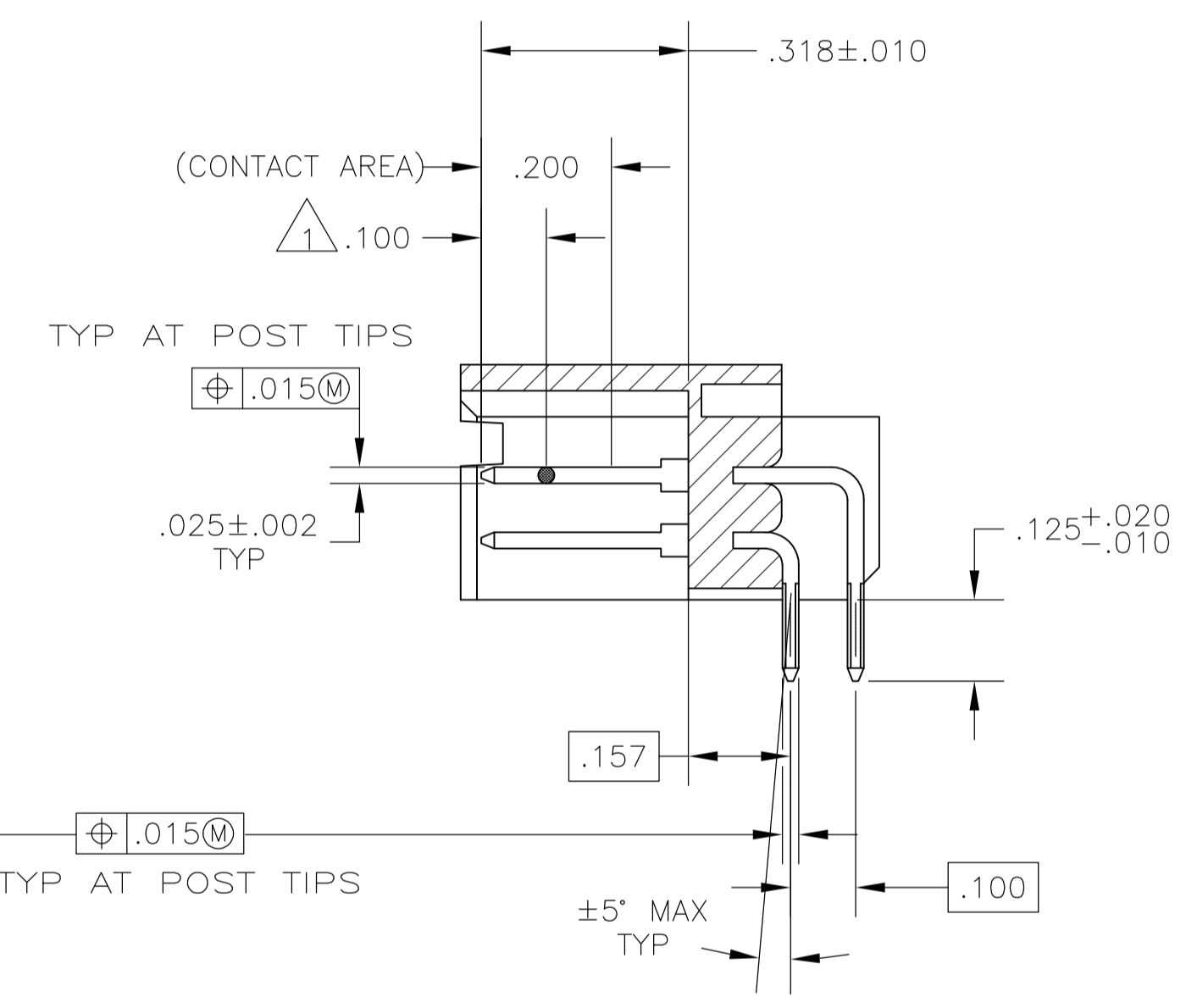
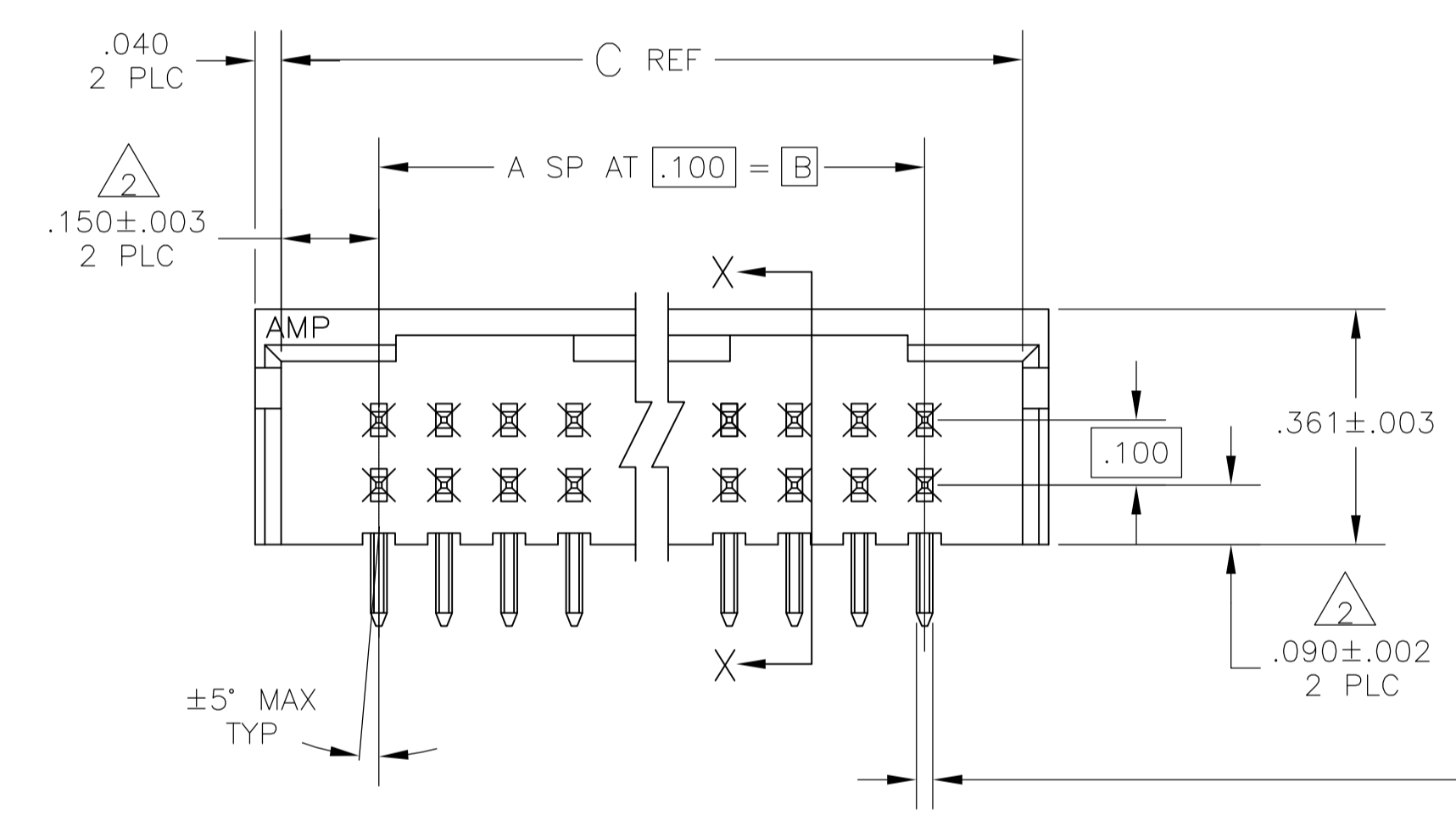


LOC		DIST		REVISIONS			
P	LTR	DESCRIPTION	DATE	DMN	APVD		
H	EC	063C 0209 05	27APR05	BSV	JLG		
H1	REVISED	PER ECO-09-021826	6JAN10	KK	AEG		



RECOMMENDED HOLE LAYOUT



SECTION X-X

- ① POINT OF MEASUREMENT FOR PLATING THICKNESS.
- ② THE NOTED DIMENSION APPLIES AT THE INTERSECTION OF THE POST AND HOUSING
- ③ OBSOLETE PART NUMBERS
- ④ POSTS: .000030 GOLD IN CONTACT AREA, .000100-.000200 MATTE TIN-LEAD ON SOLDER TAIL, ALL OVER .000050 NICKEL
- ⑤ POSTS: .000030 GOLD IN CONTACT AREA, .000100-.000200 MATTE TIN ON SOLDER TAIL, ALL OVER .000050 NICKEL
- ⑥ OBSOLETE PARTS: OBSOLETE CIS STREAMLINING PER D.RENAUD/D.SINISI

PLATING	C	B	A	NO OF POSN	PART NUMBER	
⑥ OBSOLETE	⑤	3.200	2.900	29	60	7-103165-6
⑥ OBSOLETE	⑤	2.700	2.400	24	50	7-103165-1
	⑤	2.200	1.900	19	40	6-103165-6
③ OBSOLETE	④	1.900	1.600	16	34	6-103165-3
⑥ OBSOLETE	⑤	1.700	1.400	14	30	6-103165-1
	⑤	1.500	1.200	12	26	5-103165-9
	⑤	1.400	1.100	11	24	5-103165-8
	⑤	1.200	.900	9	20	5-103165-6
⑥ OBSOLETE	⑤	1.100	.800	8	18	5-103165-5
	⑤	1.000	.700	7	16	5-103165-4
	⑤	.900	.600	6	14	5-103165-3
⑥ OBSOLETE	⑤	.800	.500	5	12	5-103165-2
⑥ OBSOLETE	⑤	.700	.400	4	10	5-103165-1
③ OBSOLETE	④	3.800	3.500	35	72	3-103165-2
③ OBSOLETE	④	3.700	3.400	34	70	3-103165-1
③ OBSOLETE	④	3.600	3.300	33	68	3-103165-0
③ OBSOLETE	④	3.500	3.200	32	66	2-103165-9
③ OBSOLETE	④	3.400	3.100	31	64	2-103165-8
③ OBSOLETE	④	3.300	3.000	30	62	2-103165-7
⑥ OBSOLETE	⑤	3.200	2.900	29	60	2-103165-6
③ OBSOLETE	④	3.100	2.800	28	58	2-103165-5
③ OBSOLETE	④	3.000	2.700	27	56	2-103165-4
③ OBSOLETE	④	2.900	2.600	26	54	2-103165-3
③ OBSOLETE	④	2.800	2.500	25	52	2-103165-2
	④	2.700	2.400	24	50	2-103165-1
③ OBSOLETE	④	2.600	2.300	23	48	2-103165-0
③ OBSOLETE	④	2.500	2.200	22	46	1-103165-9
③ OBSOLETE	④	2.400	2.100	21	44	1-103165-8
③ OBSOLETE	④	2.300	2.000	20	42	1-103165-7
	④	2.200	1.900	19	40	1-103165-6
③ OBSOLETE	④	2.100	1.800	18	38	1-103165-5
③ OBSOLETE	④	2.000	1.700	17	36	1-103165-4
③ OBSOLETE	④	1.900	1.600	16	34	1-103165-3
③ OBSOLETE	④	1.800	1.500	15	32	1-103165-2
	④	1.700	1.400	14	30	1-103165-1
③ OBSOLETE	④	1.600	1.300	13	28	1-103165-0
	④	1.500	1.200	12	26	103165-9
	④	1.400	1.100	11	24	103165-8
③ OBSOLETE	④	1.300	1.000	10	22	103165-7
	④	1.200	.900	9	20	103165-6
⑥ OBSOLETE	⑤	1.100	.800	8	18	103165-5
	⑤	1.000	.700	7	16	103165-4
	⑤	.900	.600	6	14	103165-3
⑥ OBSOLETE	⑤	.800	.500	5	12	103165-2
	⑤	.700	.400	4	10	103165-1

THIS DRAWING IS A CONTROLLED DOCUMENT.

DIMENSIONS: INCHES	TOLERANCES UNLESS OTHERWISE SPECIFIED:	0 PLC ± -	1 PLC ± -	2 PLC ± -	3 PLC ± .005	4 PLC ± -	ANGLES ± -
--------------------	--	-----------	-----------	-----------	--------------	-----------	------------

MATERIAL: HOUSING: FLAME RETARDANT COLOR: BLACK POSTS: PHOS BRONZE FINISH: SEE TABLE

THIS DRAWING IS A CONTROLLED DOCUMENT. BIN: H MOLL 16NOV07. CHK: R FIEDT 16NOV07. APVD: R FIEDT 16NOV07. NAME: Tyco Electronics Corporation, Harrisburg, Pa 17105-3608.

PRODUCT SPEC: HEADER ASSY, MOD II, DBL ROW, .100X.100 C/L, RIGHT ANGLE, (3) SIDED SHROUD

APPLICATION SPEC: SIZE: A1 CAGE CODE: 00779 DRAWING NO: 103165 RESTRICTED TO: CUSTOMER DRAWING SCALE: 4:1 SHEET: 1 OF 1 REV: H1

## X-ON Electronics

Largest Supplier of Electrical and Electronic Components

*Click to view similar products for [Headers & Wire Housings](#) category:*

*Click to view products by [TE Connectivity](#) manufacturer:*

Other Similar products are found below :

[892-18-020-10-001101](#) [58102-G61-06LF](#) [582553-1](#) [0009485154](#) [009176003701906](#) [0050291907](#) [LY20-4P-DT1-P1E-BR](#) [02.125.8002.8](#)  
[609-3404](#) [61062-3](#) [61082-181009](#) [622-3653LF](#) [63453-116](#) [636-1030](#) [636-1427](#) [636-3427](#) [636-4007](#) [641938-9](#) [641991-4](#) [644827-2](#) [65817-](#)  
[010LF](#) [65817-015LF](#) [65863-015LF](#) [66207-023LF](#) [67095-007LF](#) [67601157](#) [68645-018](#) [68648-049](#) [70.362.1628.0](#) [70-4210](#) [70-4226B](#) [70-](#)  
[4853B](#) [707-5020](#) [707-5028](#) [71.350.2428.0](#) [71918-208LF](#) [71961-016LF](#) [733-134](#) [733-162](#) [754199-000](#) [760-3052](#) [787-8014-00](#) [79531-3000](#)  
[FCN-360C032-B](#) [FCN-367T-T012/H](#) [FCN-723D010/2](#) [80.063.4001.1](#) [800-90-001-10-001000](#) [800-90-010-10-002000](#) [801-43-002-10-013000](#)