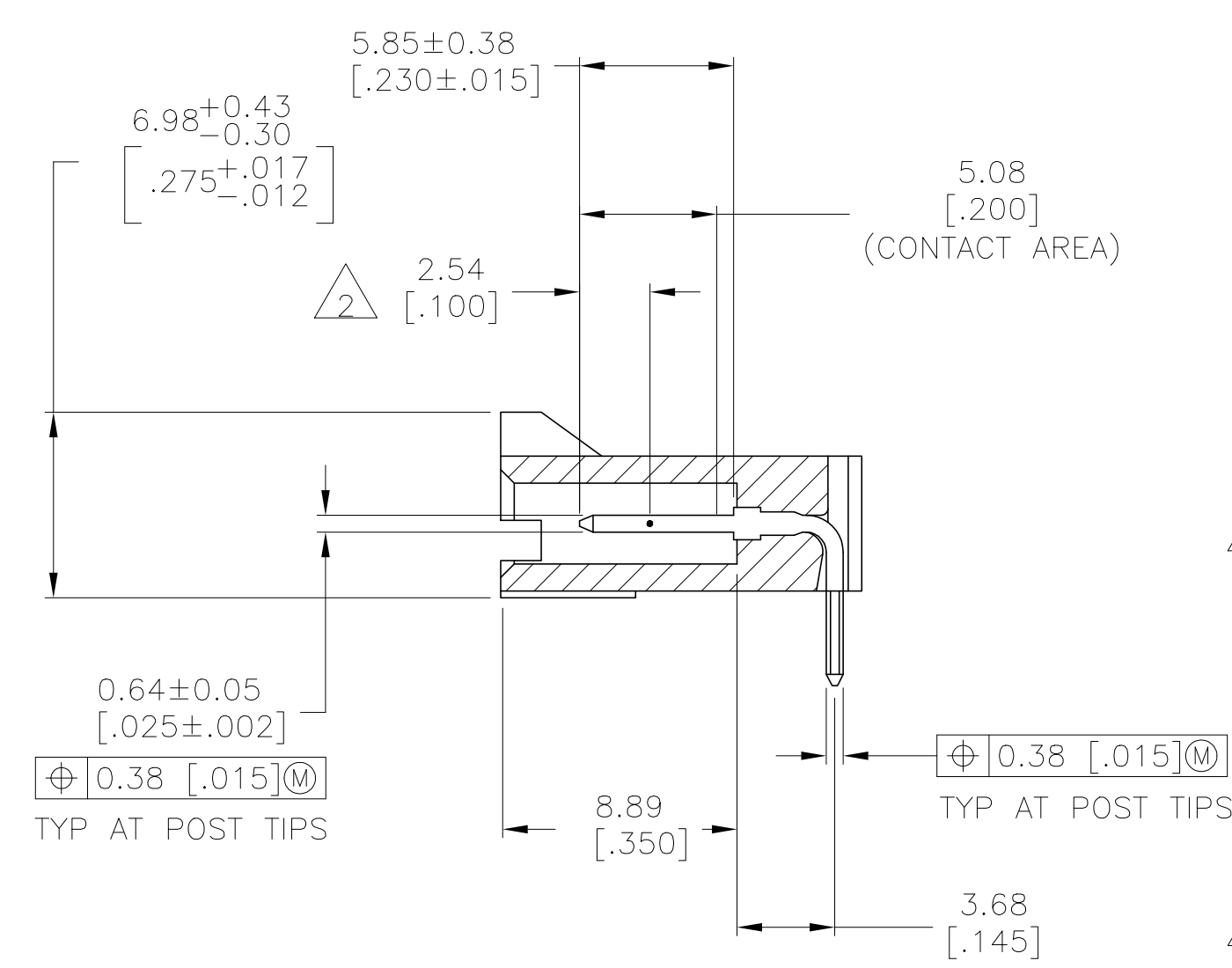
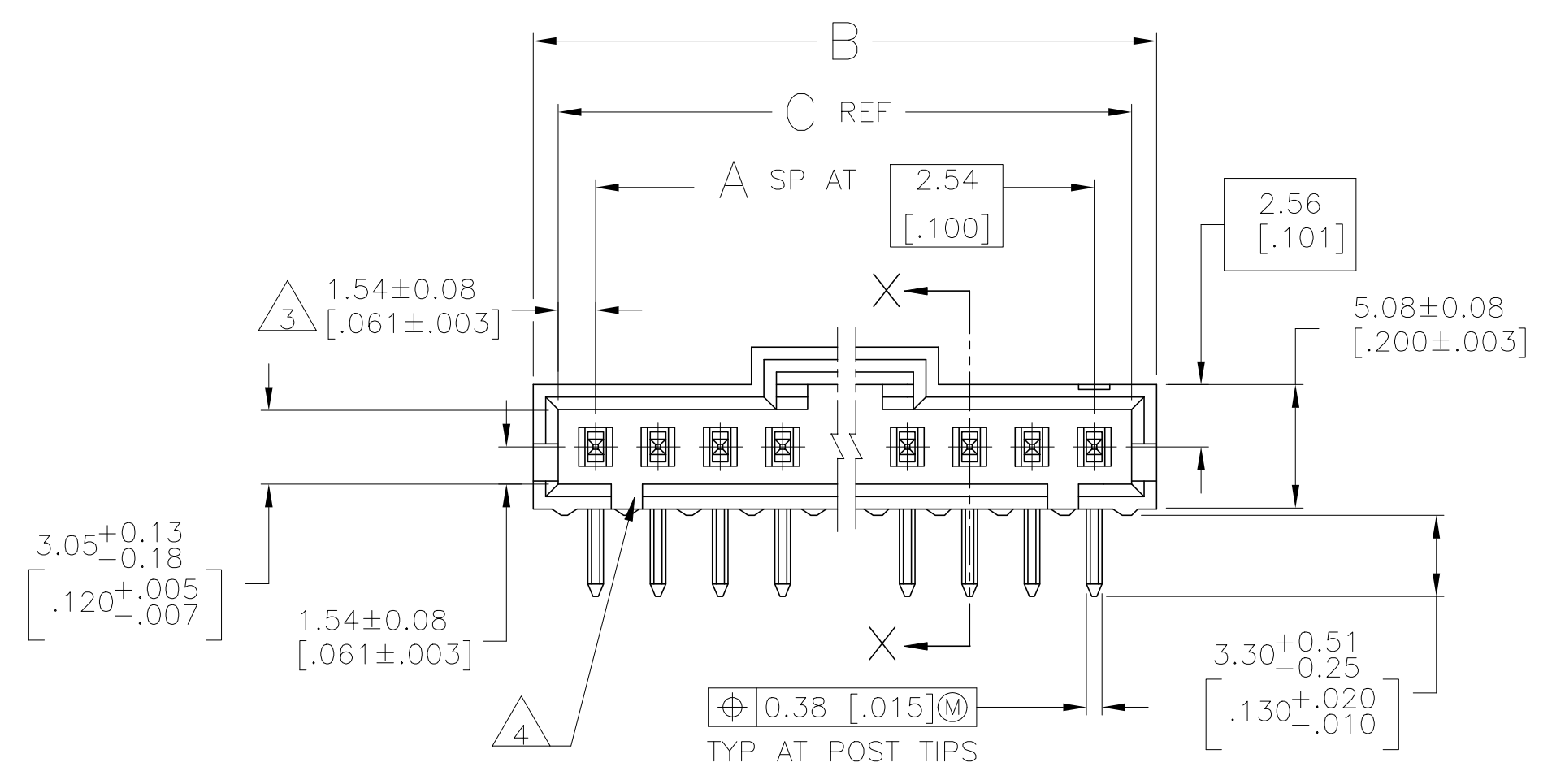
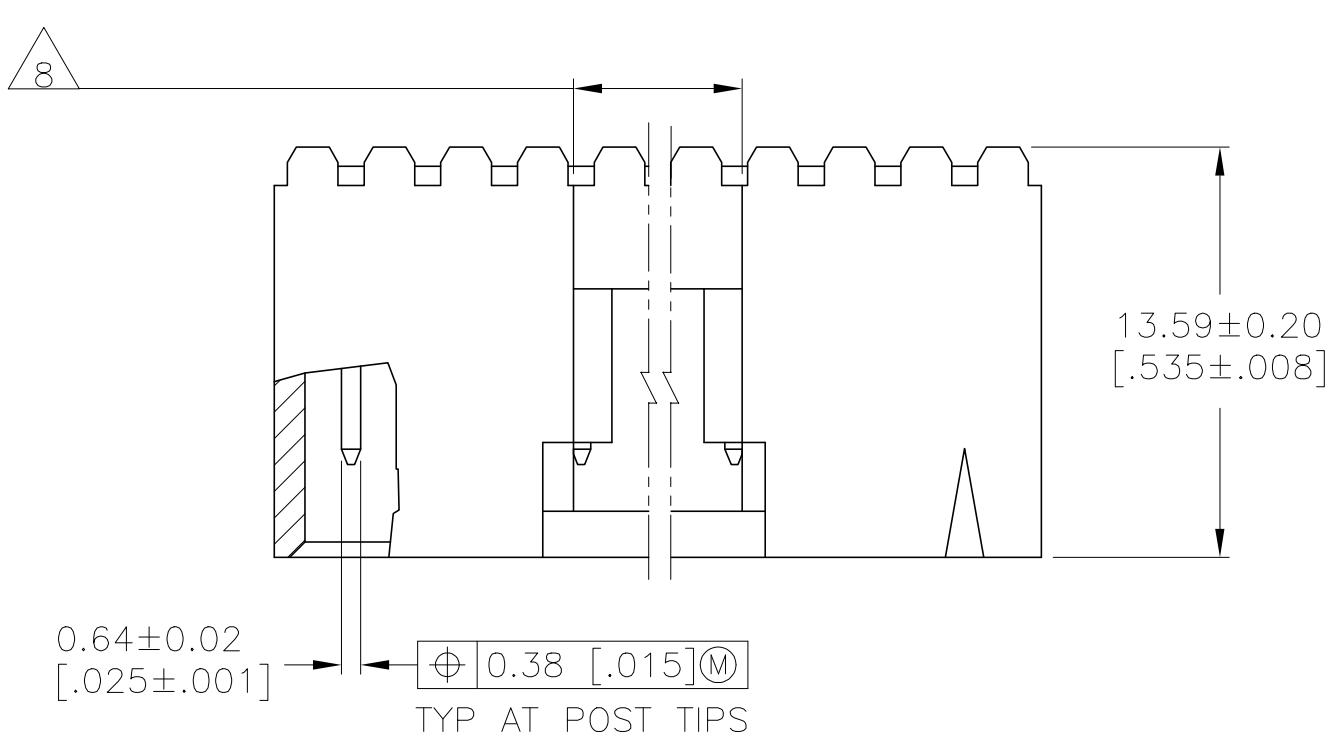
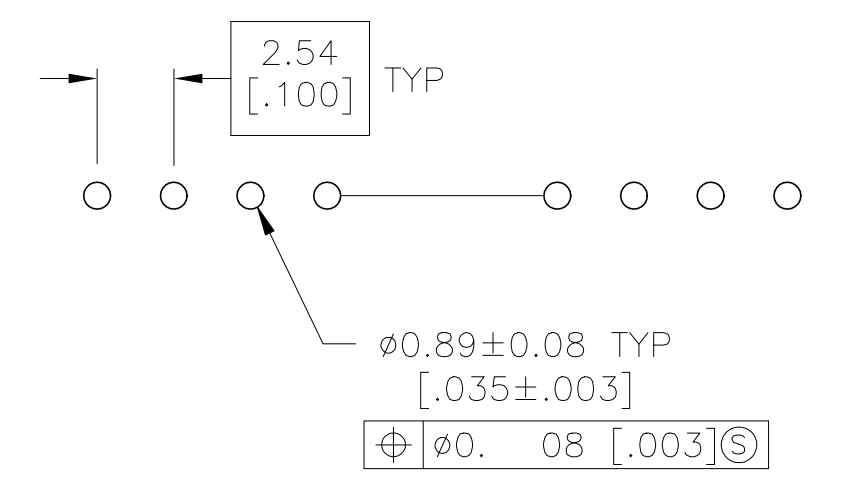


| REVISIONS | | | | | |
|-----------|-----|---------------------------|-----------|-----|------|
| P | LTR | DESCRIPTION | DATE | DRN | APVD |
| T | | REVISED PER ECO-17-002584 | 11APR2017 | BDA | MM |
| U | | REVISED PER ECO-20-001323 | 19JUN2020 | SM | JO |

- 1 .00038 [.000015] GOLD IN THE CONTACT AREA, .00254 [.000100] MATTE TIN-LEAD ON THE REMAINDER OF CONTACT, ALL OVER .00127 [.000050] NICKEL.
- 2 POINT OF MEASUREMENT FOR PLATING THICKNESS.
- 3 THE NOTED DIMENSIONS APPLY AT THE INTERSECTION OF THE POST AND THE HOUSING.
- 4 ON ASSEMBLIES WITH FOUR OR MORE POSITIONS, TWO POLARIZATION SLOTS. ON ASSEMBLIES WITH TWO OR THREE POSITIONS, ONE POLARIZATION SLOT.
- 5 .00038 [.000015] GOLD IN THE CONTACT AREA, .00254 [.000100] MATTE TIN ON THE REMAINDER OF CONTACT, ALL OVER .00127 [.000050] NICKEL.
- 6 HIGH TEMPERATURE CONFIGURATION
- 7 OBSOLETE PARTS: OBSOLETE CIS STREAMLINING PER D.RENAUD/D.SINISI
- 8 0.25 [.010] RECESS PERMISSIBLE IN THIS AREA FOR MOLD SHUT OFF



SECTION X-X



RECOMMENDED HOLE LAYOUT

7 OBSOLETE

7 SUPERSEDED BY 7-103635-1

7 OBSOLETE

7 OBSOLETE

7 SUPERSEDED BY 6-103635-6

| REMARK | PLATING | C | B | A | NO. OF POSN | PART NO. |
|--------|---------|---------------|---------------|----|-------------|------------|
| 1 | | 64.01 [2.520] | 65.91 [2.595] | 24 | 25 | 2-103635-4 |
| 1 | | 61.47 [2.420] | 63.37 [2.495] | 23 | 24 | 2-103635-3 |
| 1 | | 58.93 [2.320] | 60.83 [2.395] | 22 | 23 | 2-103635-2 |
| 1 | | 56.39 [2.220] | 58.29 [2.295] | 21 | 22 | 2-103635-1 |
| 1 | | 53.85 [2.120] | 55.75 [2.195] | 20 | 21 | 2-103635-0 |
| 1 | | 51.31 [2.020] | 53.21 [2.095] | 19 | 20 | 1-103635-9 |
| 1 | | 48.77 [1.920] | 50.67 [1.995] | 18 | 19 | 1-103635-8 |
| 1 | | 46.23 [1.820] | 48.13 [1.895] | 17 | 18 | 1-103635-7 |
| 1 | | 43.69 [1.720] | 45.59 [1.795] | 16 | 17 | 1-103635-6 |
| 1 | | 41.15 [1.620] | 43.05 [1.695] | 15 | 16 | 1-103635-5 |
| 1 | | 38.61 [1.520] | 40.51 [1.595] | 14 | 15 | 1-103635-4 |
| 1 | | 36.07 [1.420] | 37.97 [1.495] | 13 | 14 | 1-103635-3 |
| 1 | | 33.53 [1.320] | 35.43 [1.395] | 12 | 13 | 1-103635-2 |
| 1 | | 30.99 [1.220] | 32.89 [1.295] | 11 | 12 | 1-103635-1 |
| 1 | | 28.45 [1.120] | 30.35 [1.195] | 10 | 11 | 1-103635-0 |
| 1 | | 25.91 [1.020] | 27.81 [1.095] | 9 | 10 | 103635-9 |
| 1 | | 23.37 [.920] | 25.27 [.995] | 8 | 9 | 103635-8 |
| 1 | | 20.83 [.820] | 22.73 [.895] | 7 | 8 | 103635-7 |
| 1 | | 18.29 [.720] | 20.19 [.795] | 6 | 7 | 103635-6 |
| 1 | | 15.75 [.620] | 17.65 [.695] | 5 | 6 | 103635-5 |
| 1 | | 13.21 [.520] | 15.11 [.595] | 4 | 5 | 103635-4 |
| 1 | | 10.67 [.420] | 12.57 [.495] | 3 | 4 | 103635-3 |
| 1 | | 8.13 [.320] | 10.03 [.395] | 2 | 3 | 103635-2 |
| 1 | | 5.59 [.220] | 7.49 [.295] | 1 | 2 | 103635-1 |

THIS DRAWING IS A CONTROLLED DOCUMENT. DWN S. SHUEY 5-3-91

TO DIMENSIONS UNLESS OTHERWISE SPECIFIED: DWG L. CASTAGNA 27-3-91

APVD L. CASTAGNA 27-3-91

PRODUCT SPEC: 108-25034

APPLICATION SPEC: 114-25026

WEIGHT: -

CUSTOMER DRAWING

SCALE: 4:1

SHEET: 1 OF 2

REV: U

STE TE Connectivity

HDRASSY,RTANG,SGLEROW
2.54[.100]C/L,0.64[.025]SOPST,
WITHPLZN&LATCHING,AMPMODULE

SIZE: A1

CAGE CODE: 00779

DRAWING NO: 103635

THIS DRAWING IS UNPUBLISHED. RELEASED FOR PUBLICATION
 © COPYRIGHT - By - ALL RIGHTS RESERVED.

| REVISIONS | | | | | |
|-----------|-----|-------------|------|-----|------|
| P | LTR | DESCRIPTION | DATE | DRN | APVD |
| - | - | SEE SHEET 1 | - | - | - |

| REMARKS | PLATING | C | B | A | NO. OF POSN | PART NO. | |
|------------|---------|---|---|---|-------------|----------|-----------------------|
| | | | | | 24 | 25 | 7-103635-4 |
| | | | | | 23 | 24 | 7-103635-3 |
| 7 OBSOLETE | | | | | 22 | 23 | 7-103635-2 |
| | | | | | 21 | 22 | 7-103635-1 |
| 7 OBSOLETE | | | | | 20 | 21 | 7-103635-0 |
| | | | | | 19 | 20 | 6-103635-9 |
| 7 OBSOLETE | | | | | 18 | 19 | 6-103635-8 |
| | | | | | 17 | 18 | 6-103635-7 |
| | | | | | 16 | 17 | 6-103635-6 |
| | | | | | 15 | 16 | 6-103635-5 |
| | | | | | 14 | 15 | 6-103635-4 |
| | | | | | 13 | 14 | 6-103635-3 |
| | | | | | 12 | 13 | 6-103635-2 |
| | | | | | 11 | 12 | 6-103635-1 |
| | | | | | 10 | 11 | 6-103635-0 |
| | | | | | 9 | 10 | 5-103635-9 |
| | | | | | 8 | 9 | 5-103635-8 |
| | | | | | 7 | 8 | 5-103635-7 |
| | | | | | 6 | 7 | 5-103635-6 |
| | | | | | 5 | 6 | 5-103635-5 |
| | | | | | 4 | 5 | 5-103635-4 |
| | | | | | 3 | 4 | 5-103635-3 |
| | | | | | 2 | 3 | 5-103635-2 |
| | | | | | 1 | 2 | 5-103635-1 |

| | | | | | | | | | | | |
|--|--|---|--|-------------------------|--|--------------------------|--|------------|--|--------------------|--|
| THIS DRAWING IS A CONTROLLED DOCUMENT. | | DRN S. SHUEY 5-3-91 | | DWN L. CASTAGNA 27-3-91 | | APVD L. CASTAGNA 27-3-91 | | NAME | | TE Connectivity | |
| DIMENSIONS: mm [INCHES] | | TOLERANCES UNLESS OTHERWISE SPECIFIED: | | PRODUCT SPEC | | APPLICATION SPEC | | SIZE | | RESTRICTED TO | |
| | | 0 PLC ± 1 PLC ± 2 PLC ± 3 PLC ± 4 PLC ± ANGLES ± | | 108-25034 | | 114-25026 | | A1 00779 | | C=103635 | |
| MATERIAL: HOUSING: PLATE RESISTANT TO CORROSION; COLOR: BLACK; CONTACTS: BRASS | | FINISH: SEE TABLE | | WEIGHT: - | | CUSTOMER DRAWING | | SCALE: 1:1 | | SHEET 2 OF 2 REV U | |

X-ON Electronics

Largest Supplier of Electrical and Electronic Components

Click to view similar products for [Headers & Wire Housings](#) category:

Click to view products by [TE Connectivity](#) manufacturer:

Other Similar products are found below :

[892-18-020-10-001101](#) [58102-G61-06LF](#) [582553-1](#) [0009485154](#) [009176003701906](#) [0050291907](#) [LY20-4P-DT1-P1E-BR](#) [02.125.8002.8](#)
[609-3404](#) [61062-3](#) [61082-181009](#) [622-3653LF](#) [63453-116](#) [636-1030](#) [636-1427](#) [636-3427](#) [636-4007](#) [641938-9](#) [641991-4](#) [644827-2](#) [65817-](#)
[010LF](#) [65817-015LF](#) [65863-015LF](#) [66207-023LF](#) [67095-007LF](#) [67601157](#) [68645-018](#) [68648-049](#) [70.362.1628.0](#) [70-4210](#) [70-4226B](#) [70-](#)
[4853B](#) [707-5020](#) [707-5028](#) [71.350.2428.0](#) [71918-208LF](#) [71961-016LF](#) [733-134](#) [733-162](#) [754199-000](#) [760-3052](#) [787-8014-00](#) [79531-3000](#)
[FCN-360C032-B](#) [FCN-367T-T012/H](#) [FCN-723D010/2](#) [80.063.4001.1](#) [800-90-001-10-001000](#) [800-90-010-10-002000](#) [801-43-002-10-013000](#)