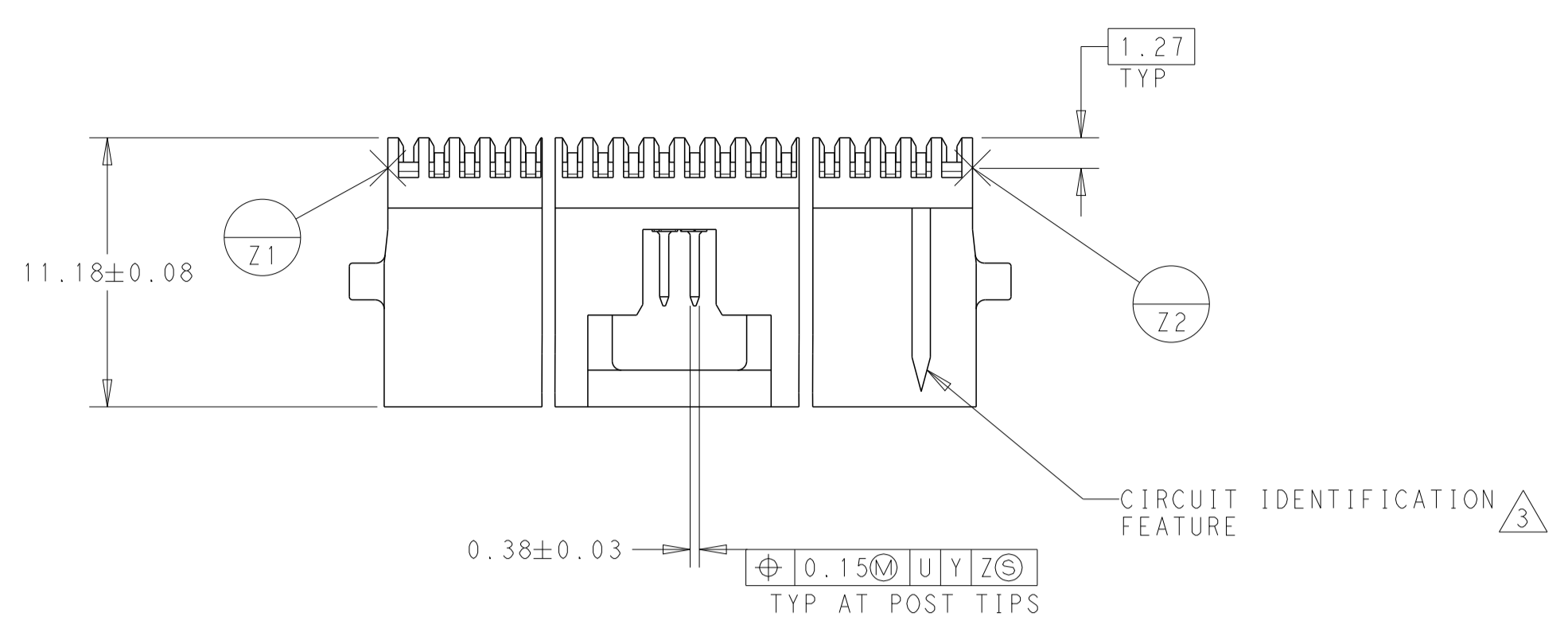
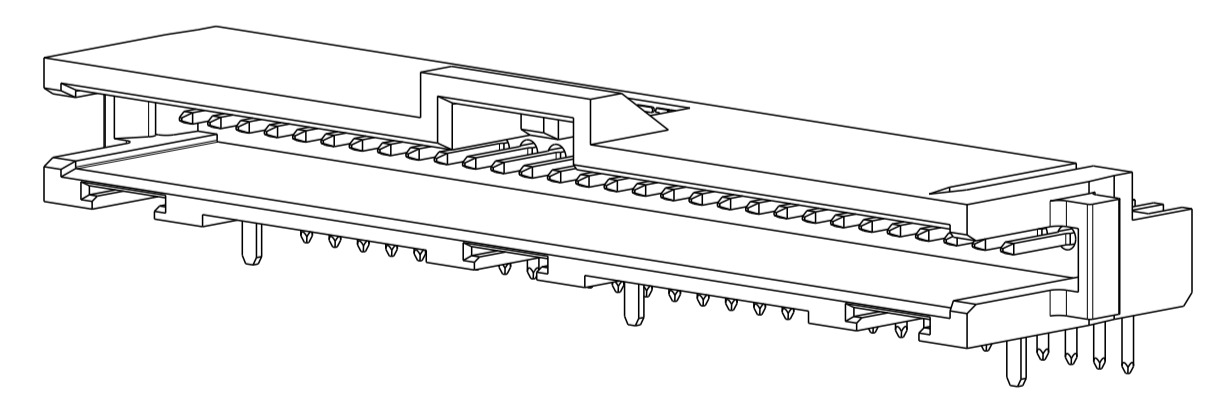
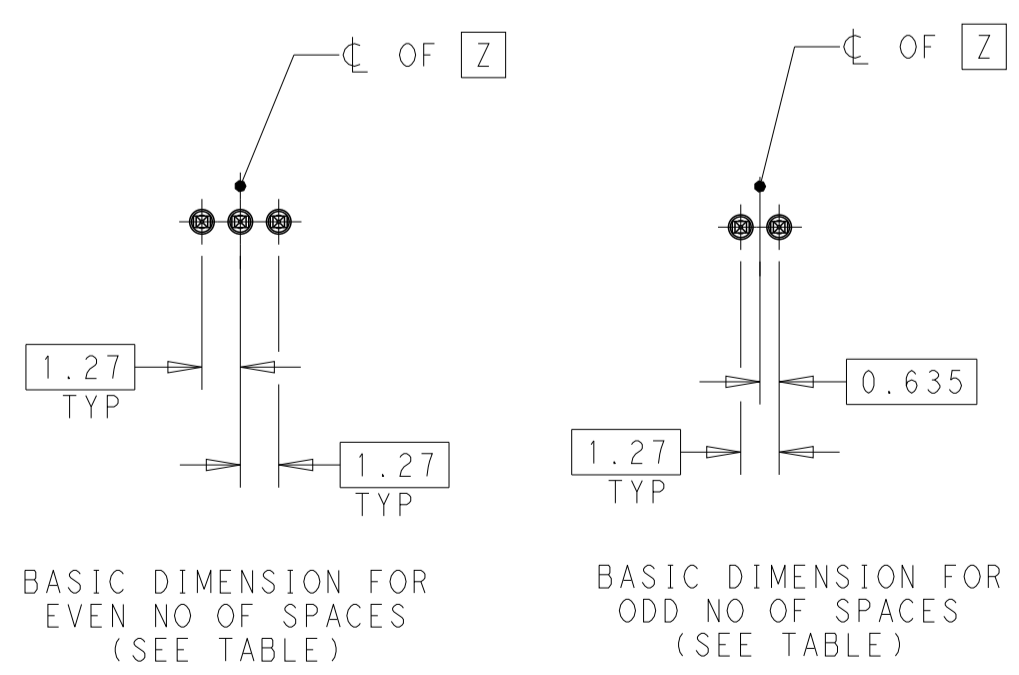
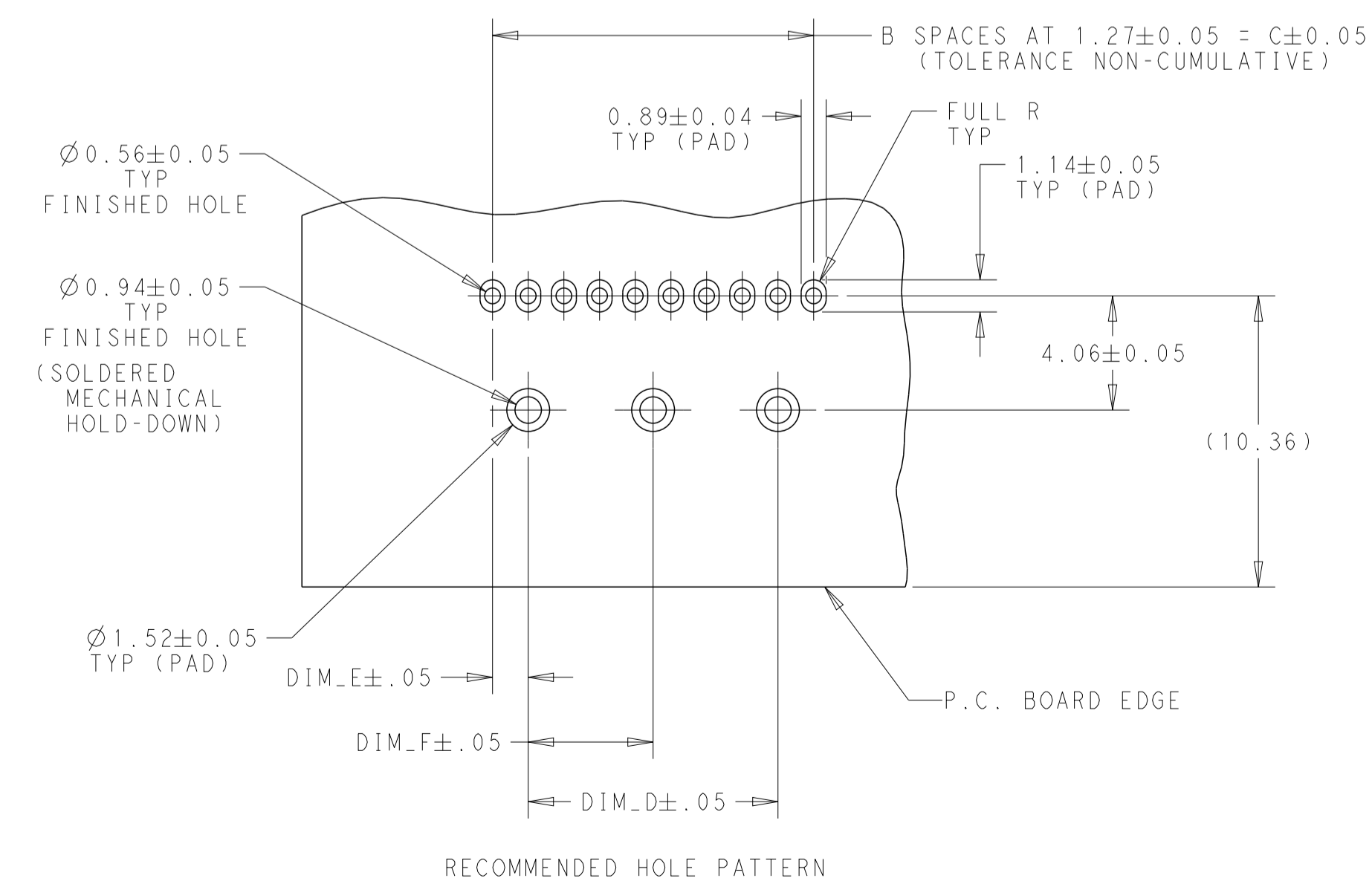
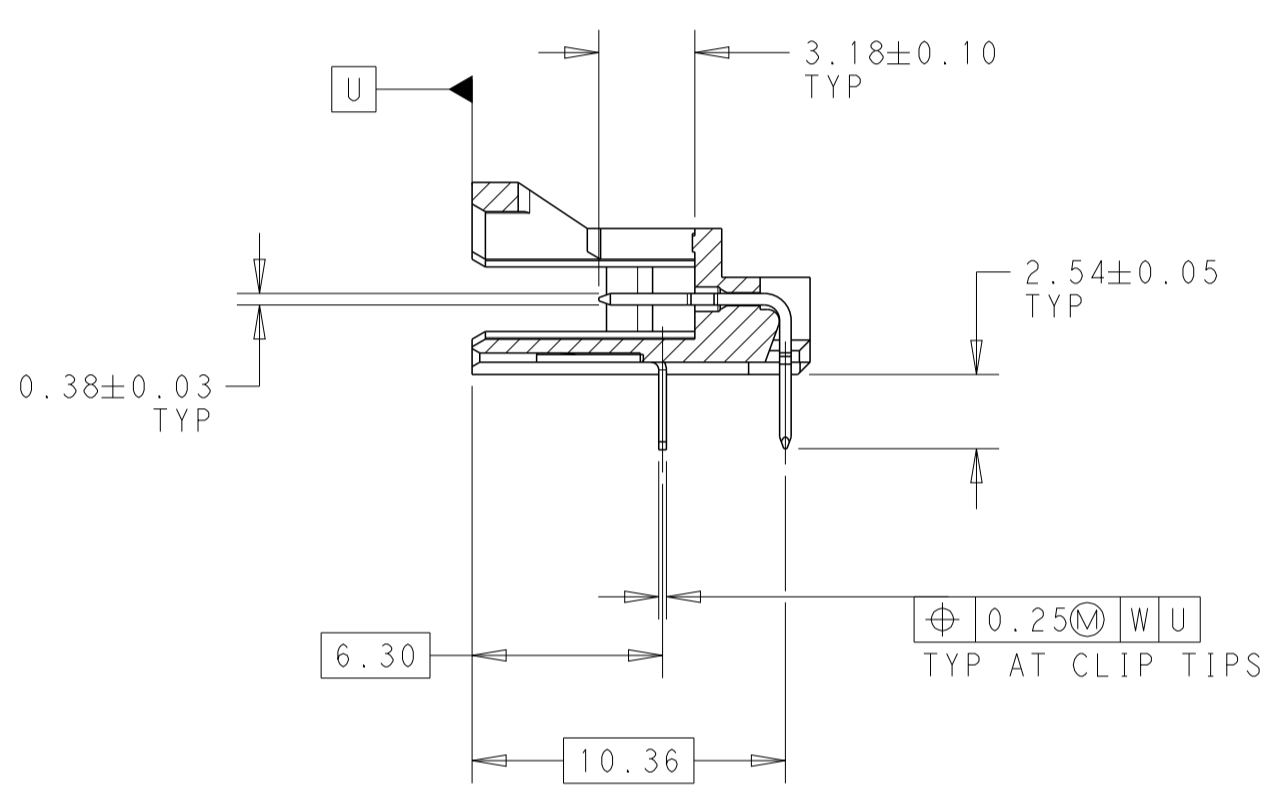
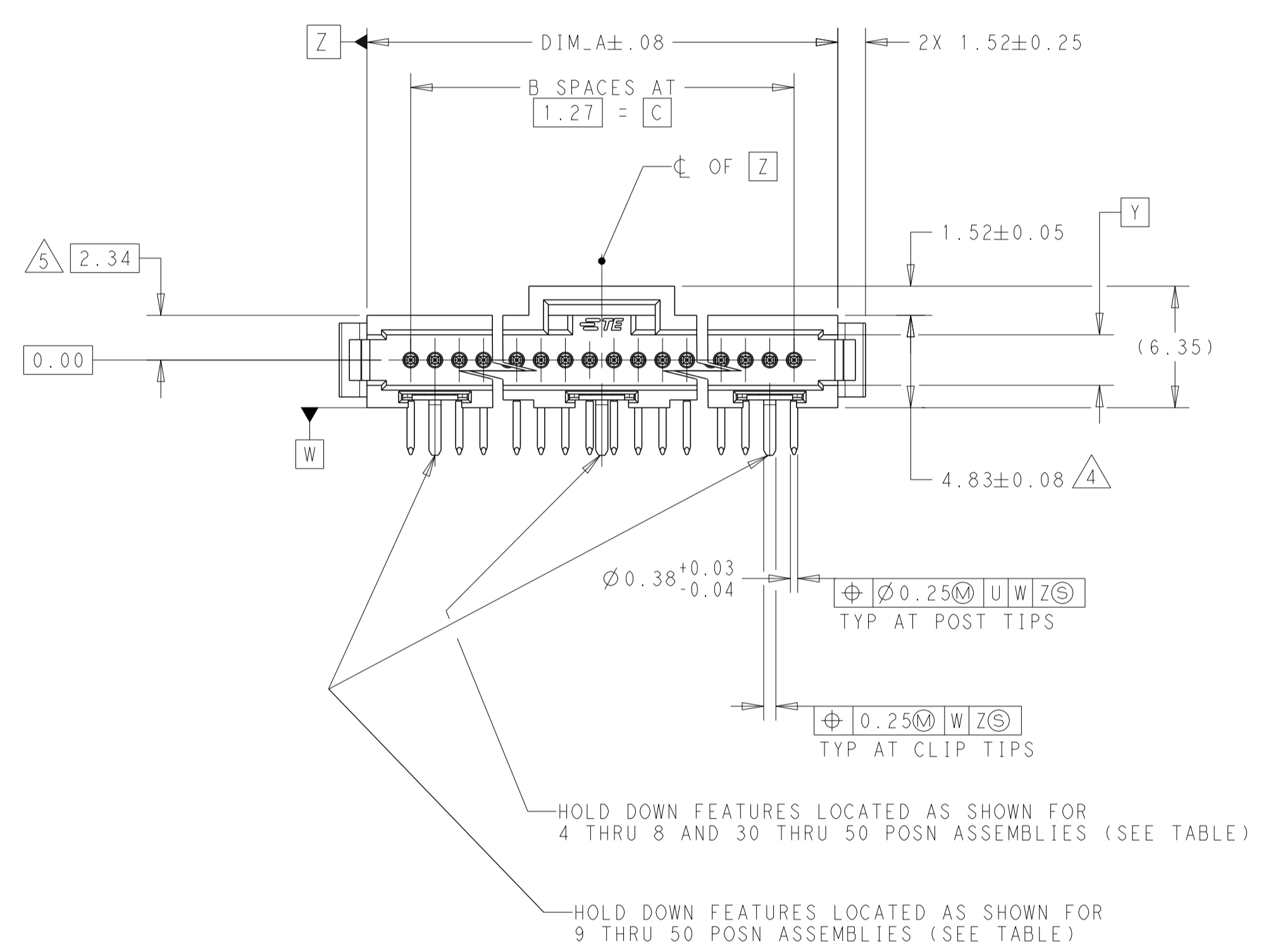


REVISIONS				
P	LTN	DESCRIPTION	DATE	APVD
V		REDRAWN /REVISED PER ECO-17-001745	22NOV2017	KS JO



- △ CONTACT AREAS PLATED WITH 0.76µm GOLD, SOLDER TAILS PLATED WITH 3.81µm TIN-LEAD, ALL OVER 1.27µm NICKEL
- 2. NOTE DELETED.
- △3 CIRCUIT IDENTIFICATION FEATURE OMITTED ON 4, 5, 6, & 7 POSITION HEADER ASSEMBLIES
- △4 DIMENSION APPLIES AT BASE OF SHROUD
- △5 THE NOTED DIMENSIONS APPLY AT THE INTERSECTION OF THE POST AND HOUSING
- △6 CONTACT AREAS PLATED WITH 0.76µm GOLD, SOLDER TAILS PLATED WITH 3.81µm TIN, ALL OVER 1.27µm NICKEL.
- △7 MATERIAL: HOUSING-LCP, COLOR-BLACK
CONTACT-COPPER ALLOY
- △8 FINISH: 0.03µm MIN GOLD ON GOLD PLATED AREA, 3.81µm MATTE TIN-LEAD ON TIN PLATED AREA. UNDER PLATING TO BE 1.27µm NICKEL ON ENTIRE CONTACT
- △9 FINISH: 0.03µm MIN GOLD ON GOLD PLATED AREA, 3.81µm MATTE TIN ON TIN PLATED AREA. UNDER PLATING TO BE 1.27µm NICKEL ON ENTIRE CONTACT.
- 10. NOTE DELETED.
- 11. NOTE DELETED.
- 12. NOTE DELETED.
- 13. NOTE DELETED.



THIS DRAWING IS A CONTROLLED DOCUMENT.		DWN R. SHRISHAIL 22NOV2017 CHK J. OLSON 22NOV2017 APVD J. OLSON 22NOV2017	STE TE Connectivity	
DIMENSIONS: mm 0 PLC ±.3 1 PLC ±0.3 2 PLC ±0.13 3 PLC ±.3 4 PLC ±.3 ANGLES ±0.5°		TOLERANCES UNLESS OTHERWISE SPECIFIED: PRODUCT SPEC 108-1093 APPLICATION SPEC 114-25031		NAME: HEADER ASSEMBLY, RIGHT ANGLE, SINGLE ROW, W/SIDE & END LATCHES AMPMODU SYSTEM 50
MATERIAL: SEE TABLE		SIZE: A1 CAGE CODE: - DRAWING NO: C=104074	RESTRICTED TO: - SCALE: 4:1 SHEET: 1 OF 2 REV: V	

REVISIONS				
P	LTN	DESCRIPTION	DATE	APPV
-		SEE SHEET 1	-	-

	15.87	1.27	31.75	34.29	27	38.86	28	9-104074-0
	29.84	1.27	59.69	62.23	49	66.80	50	8-104074-9
	26.67	1.27	53.34	55.88	44	60.45	45	8-104074-8
	23.49	1.27	46.99	49.53	39	54.10	40	8-104074-7
	20.95	1.27	41.91	44.45	35	49.02	36	8-104074-6
	15.24	1.27	30.48	33.02	26	37.59	27	8-104074-5
	-	1.27	24.13	26.67	21	31.24	22	8-104074-4
	-	1.27	17.78	20.32	16	24.89	17	8-104074-3
	-	1.27	12.70	15.24	12	19.81	13	8-104074-2
	-	1.27	11.43	13.97	11	18.54	12	8-104074-1
	-	4.44	-	8.89	7	13.46	8	8-104074-0
	-	3.81	-	7.62	6	12.19	7	7-104074-9
	-	3.17	-	6.35	5	10.92	6	7-104074-8
	-	1.90	-	3.81	3	8.38	4	7-104074-7
	17.14	1.27	34.29	36.83	29	41.40	30	7-104074-6
	-	1.27	27.94	30.48	24	35.05	25	7-104074-5
	-	1.27	21.59	24.13	19	28.70	20	7-104074-4
	-	1.27	15.24	17.78	14	22.35	15	7-104074-3
	-	2.54	-	5.08	4	9.65	5	7-104074-2
	-	1.27	8.89	11.43	9	16.00	10	7-104074-1
	15.87	1.27	31.75	34.29	27	38.86	28	7-104074-0
	29.84	1.27	59.69	62.23	49	66.80	50	6-104074-9
	26.67	1.27	53.34	55.88	44	60.45	45	6-104074-8
	23.49	1.27	46.99	49.53	39	54.10	40	6-104074-7
	20.95	1.27	41.91	44.45	35	49.02	36	6-104074-6
	15.24	1.27	30.48	33.02	26	37.59	27	6-104074-5
	-	1.27	24.13	26.67	21	31.24	22	6-104074-4
	-	1.27	17.78	20.32	16	24.89	17	6-104074-3
	-	1.27	12.70	15.24	12	19.81	13	6-104074-2
	-	1.27	11.43	13.97	11	18.54	12	6-104074-1
	-	4.44	-	8.89	7	13.46	8	6-104074-0
	-	3.81	-	7.62	6	12.19	7	5-104074-9
	-	3.17	-	6.35	5	10.92	6	5-104074-8
	-	1.90	-	3.81	3	8.38	4	5-104074-7
	17.14	1.27	34.29	36.83	29	41.40	30	5-104074-6
	-	1.27	27.94	30.48	24	35.05	25	5-104074-5
	-	1.27	21.59	24.13	19	28.70	20	5-104074-4
	-	1.27	15.24	17.78	14	22.35	15	5-104074-3
	-	2.54	-	5.08	4	9.65	5	5-104074-2
	-	1.27	8.89	11.43	9	16.00	10	5-104074-1
FINSH	DIM_F	DIM_E	DIM_D	DIM_C	^B SPACES	DIM_A	NO OF POSN	PART NUMBER

	15.87	1.27	31.75	34.29	27	38.86	28	4-104074-0
	29.84	1.27	59.69	62.23	49	66.80	50	3-104074-9
	26.67	1.27	53.34	55.88	44	60.45	45	3-104074-8
	23.49	1.27	46.99	49.53	39	54.10	40	3-104074-7
	20.95	1.27	41.91	44.45	35	49.02	36	3-104074-6
	15.24	1.27	30.48	33.02	26	37.59	27	3-104074-5
	-	1.27	24.13	26.67	21	31.24	22	3-104074-4
	-	1.27	17.78	20.32	16	24.89	17	3-104074-3
	-	1.27	12.70	15.24	12	19.81	13	3-104074-2
	-	1.27	11.43	13.97	11	18.54	12	3-104074-1
	-	4.44	-	8.89	7	13.46	8	3-104074-0
	-	3.81	-	7.62	6	12.19	7	2-104074-9
	-	3.17	-	6.35	5	10.92	6	2-104074-8
	-	1.90	-	3.81	3	8.38	4	2-104074-7
	17.14	1.27	34.29	36.83	29	41.40	30	2-104074-6
	-	1.27	27.94	30.48	24	35.05	25	2-104074-5
	-	1.27	21.59	24.13	19	28.70	20	2-104074-4
	-	1.27	15.24	17.78	14	22.35	15	2-104074-3
	-	2.54	-	5.08	4	9.65	5	2-104074-2
	-	1.27	8.89	11.43	9	16.00	10	2-104074-1
	15.87	1.27	31.75	34.29	27	38.86	28	2-104074-0
	29.84	1.27	59.69	62.23	49	66.8	50	1-104074-9
	26.67	1.27	53.34	55.88	44	60.45	45	1-104074-8
	23.49	1.27	46.99	49.53	39	54.10	40	1-104074-7
	20.95	1.27	41.91	44.45	35	49.02	36	1-104074-6
	15.24	1.27	30.48	33.02	26	37.59	27	1-104074-5
	-	1.27	24.13	26.67	21	31.24	22	1-104074-4
	-	1.27	17.78	20.32	16	24.89	17	1-104074-3
	-	1.27	12.70	15.24	12	19.81	13	1-104074-2
	-	1.27	11.43	13.97	11	18.54	12	1-104074-1
	-	4.44	-	8.89	7	13.46	8	1-104074-0
	-	3.81	-	7.62	6	12.19	7	104074-9
	-	3.17	-	6.35	5	10.92	6	104074-8
	-	1.90	-	3.81	3	8.38	4	104074-7
	17.14	1.27	34.29	36.83	29	41.40	30	104074-6
	-	1.27	27.94	30.48	24	35.05	25	104074-5
	-	1.27	21.59	24.13	19	28.70	20	104074-4
	-	1.27	15.24	17.78	14	22.35	15	104074-3
	-	2.54	-	5.08	4	9.65	5	104074-2
	-	1.27	8.89	11.43	9	16.00	10	104074-1
FINSH	DIM_F	DIM_E	DIM_D	DIM_C	^B SPACES	DIM_A	NO OF POSN	PART NUMBER

THIS DRAWING IS A CONTROLLED DOCUMENT. DWN R. SHRISHAI 22NOV2017
 CHK J. OLSON 22NOV2017

DIMENSIONS: mm TOLERANCES UNLESS OTHERWISE SPECIFIED:
 0 PLC ±
 1 PLC ±0.3
 2 PLC ±0.13
 3 PLC ±
 4 PLC ±
 ANGLES ±0.5°
 FINISH SEE TABLE

MATERIAL WEIGHT 114-25031

APVD J. OLSON 22NOV2017

PRODUCT SPEC 108-1093

APPLICATION SPEC

NAME HEADER ASSEMBLY, RIGHT ANGLE, SINGLE ROW, W/SIDE & END LATCHES, AMPMODU SYSTEM 50

SIZE A1 CAGE CODE - DRAWING NO. C=104074 RESTRICTED TO

CUSTOMER DRAWING SCALE 4:1 SHEET 2 OF 2 REV V

X-ON Electronics

Largest Supplier of Electrical and Electronic Components

Click to view similar products for [Board to Board & Mezzanine Connectors](#) category:

Click to view products by [TE Connectivity](#) manufacturer:

Other Similar products are found below :

[589158040000018](#) [MDF7C-18P-2.54DSA\(55\)](#) [FCN-230C068-11](#) [FCN-268F012-G/BD](#) [FCN-268F036-G/BD](#) [FCN-268M012-G/0D](#) [FCN-268M024-G/1D](#) [FCN-723J004/1](#) [MIS-048-01-F-D-DP-K](#) [832-10-034-10-001000](#) [FX4C-80S-1.27DSA](#) [FCN-214Q030-G/0](#) [FCN-234P048-G/0](#) [FCN-235D050-G/C](#) [210-93-314-41-105000](#) [2-22603-0](#) [MDF7-40DP-2.54DSA\(55\)](#) [AXG720047](#) [5031084030](#) [MIT-114-03-F-D-K](#) [55323-1519](#) [DF33-2P-3.3DSA\(24\)](#) [YFT-20-05-H-03-SB-K](#) [503308-3040](#) [026-6203-PDB](#) [027-6203-PDB](#) [069159702701000](#) [10123981-102LF](#) [101A10019X](#) [55650-0588-C](#) [68682-310LF](#) [68684-306](#) [75140-7012](#) [87471-650](#) [194261-1](#) [FCN-268F024-G0D](#) [10124054-515LF](#) [68685-603](#) [8-1616154-3](#) [MIS-019-01-F-D](#) [FCN-268M024-G/3D](#) [20021832-06016C1LF](#) [KX15-20KLDL-E1000E](#) [MDF7-16DP-2.54DSA\(55\)](#) [AXE810124](#) [FCN-214J100-G/0](#) [FCN-230C068-E/S](#) [AXE812124](#) [AXE816124](#) [AXE720127](#)