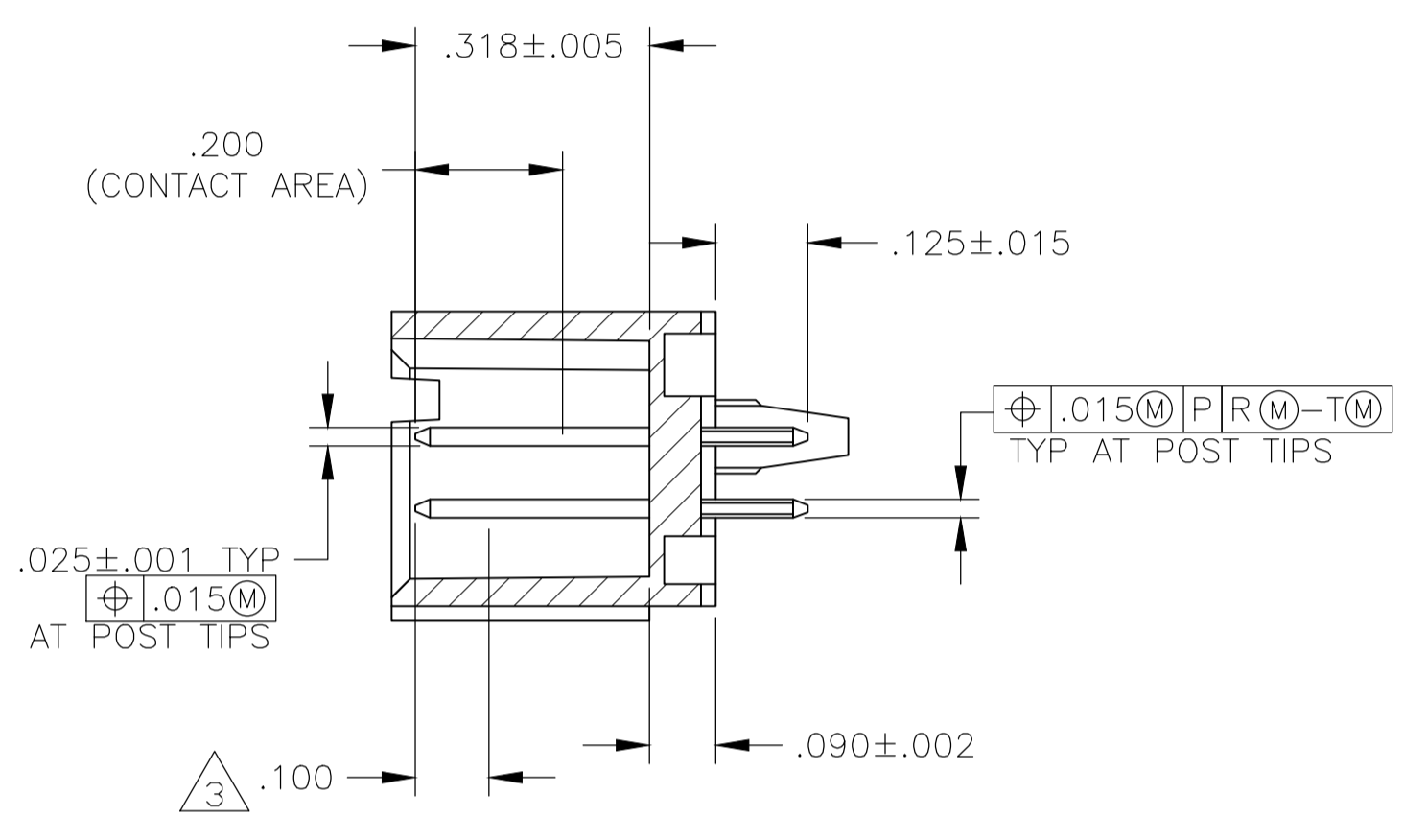
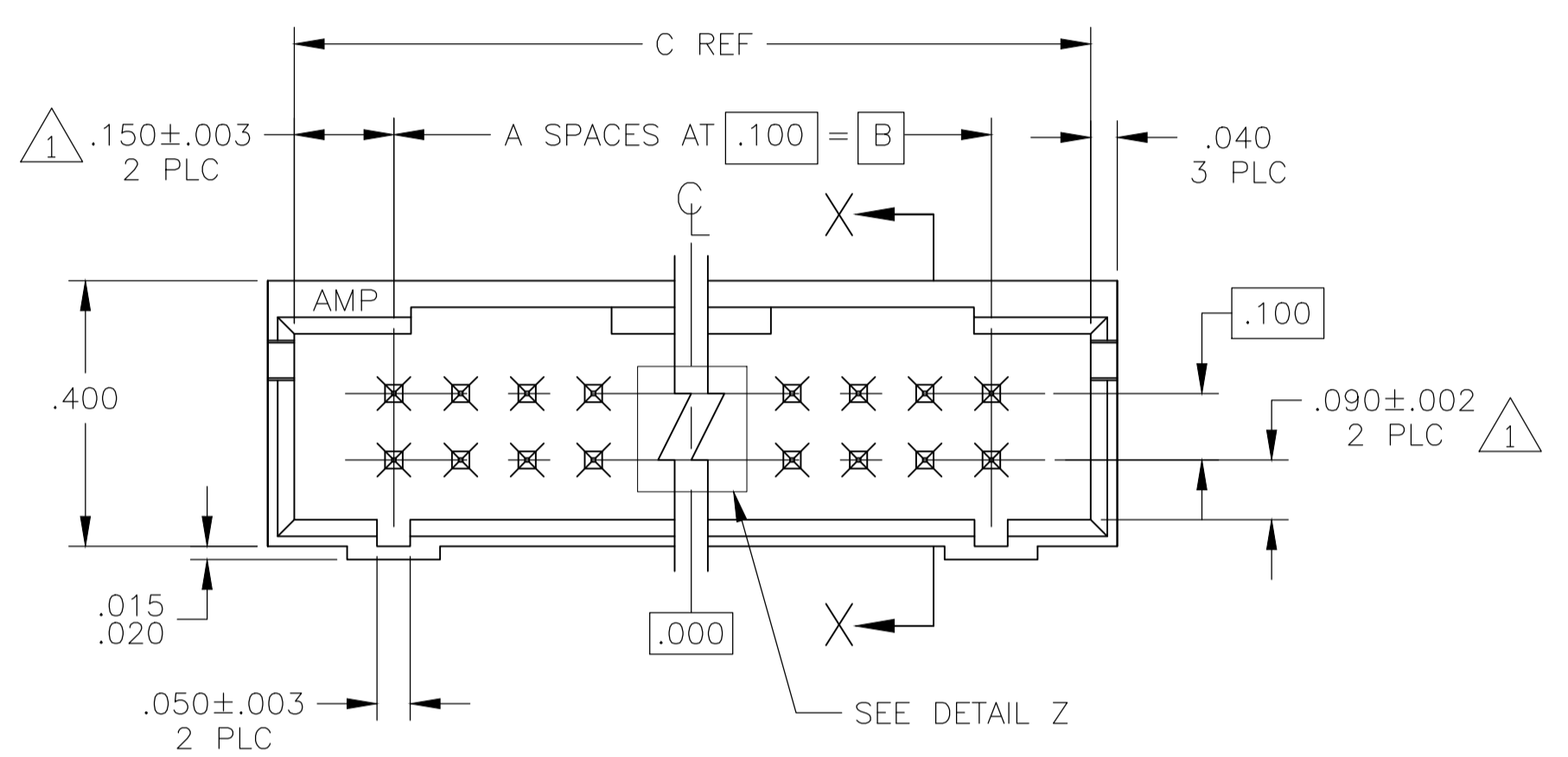
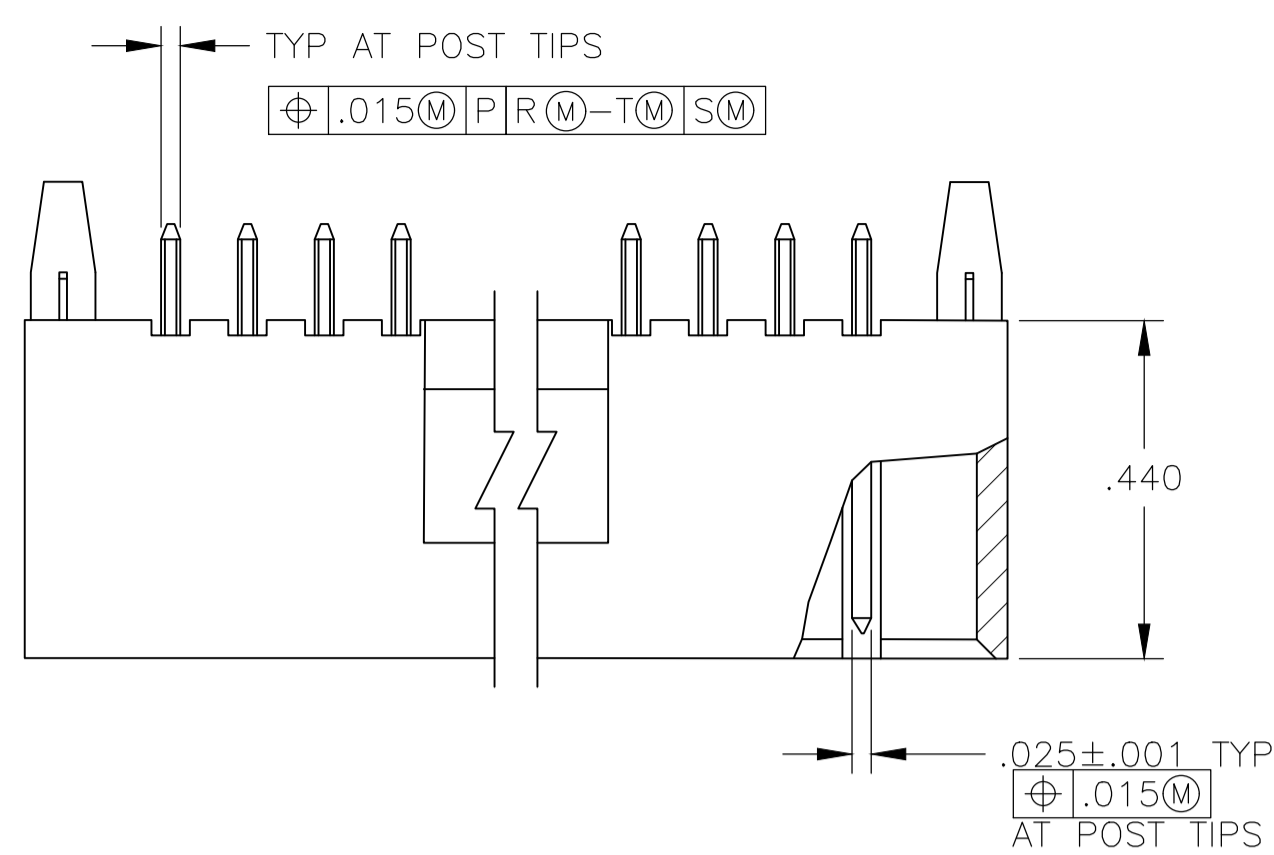
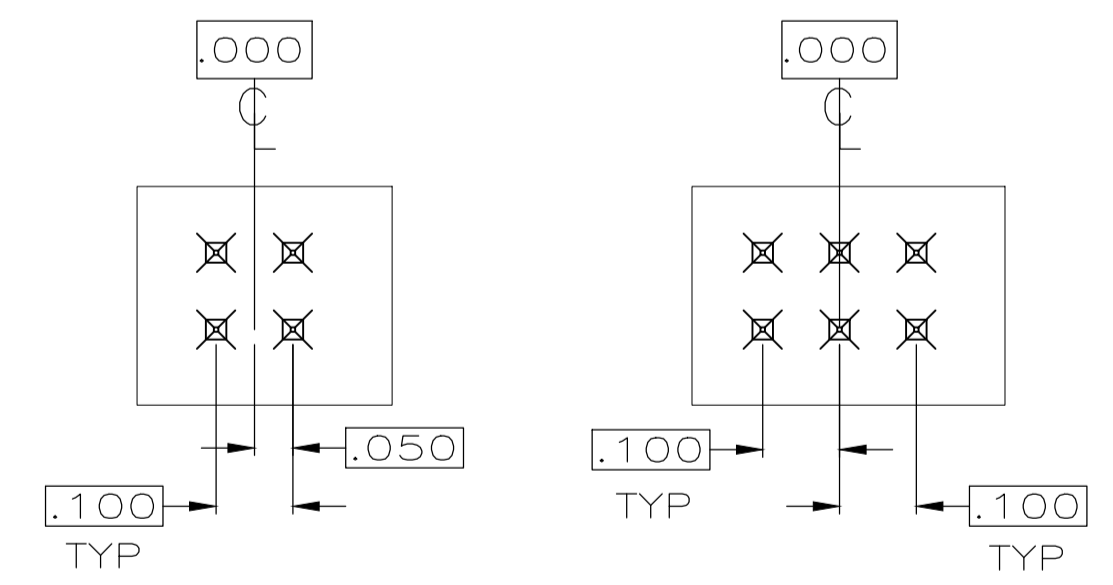
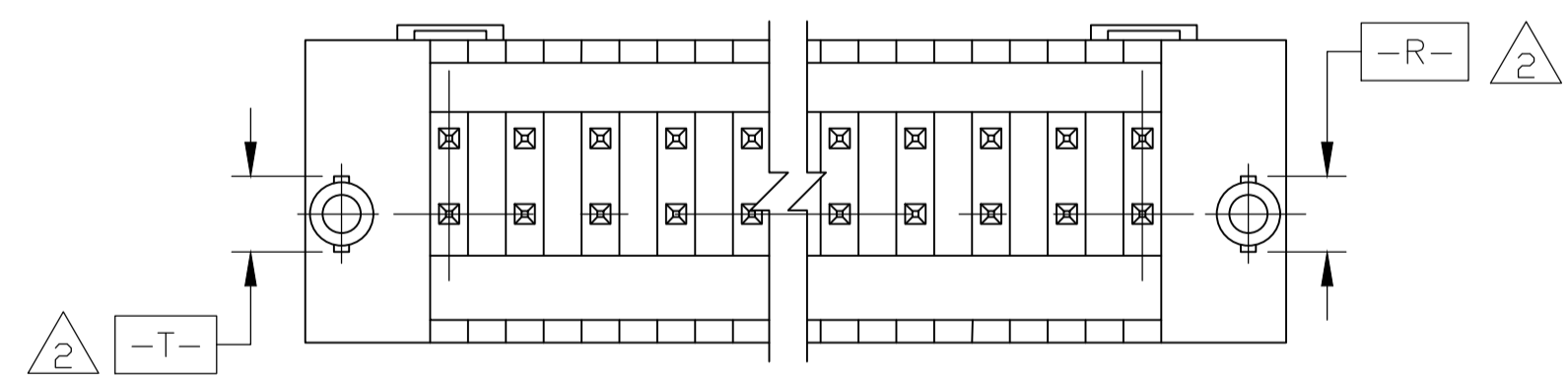
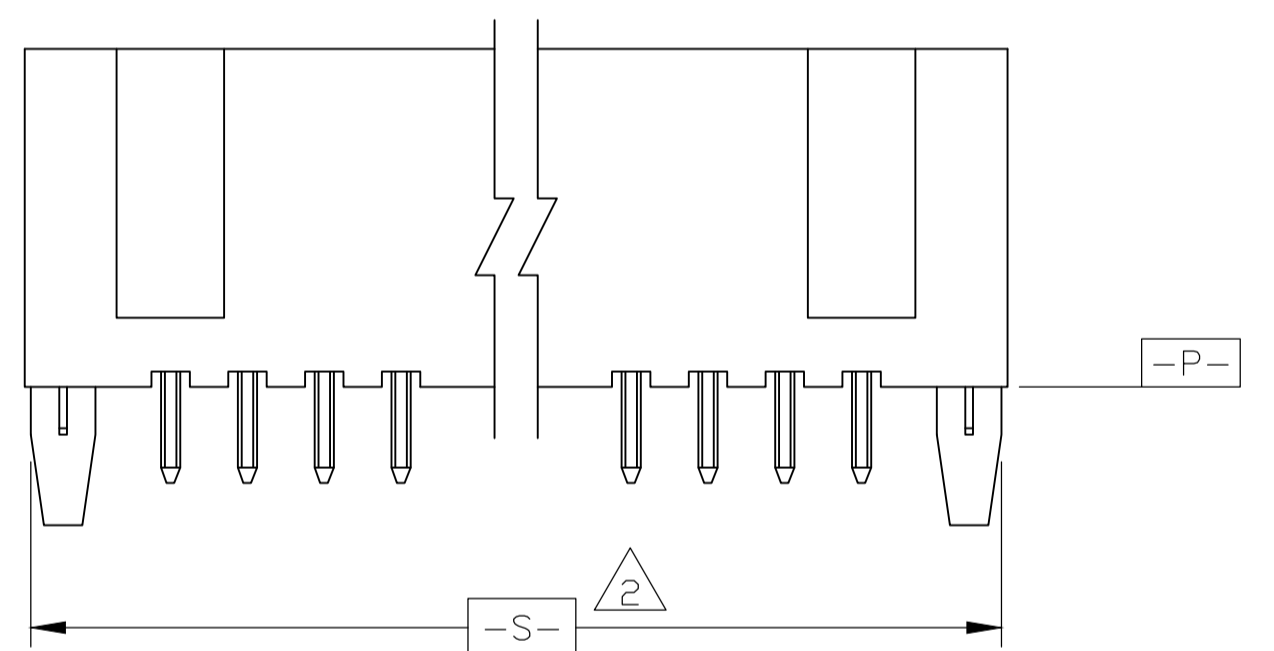


REVISIONS				
P	LTR	DESCRIPTION	DATE	BY / APPV
K3		PART STATUS UPDATED IN PART LIST TABLE	16FEB2018	SD / PS

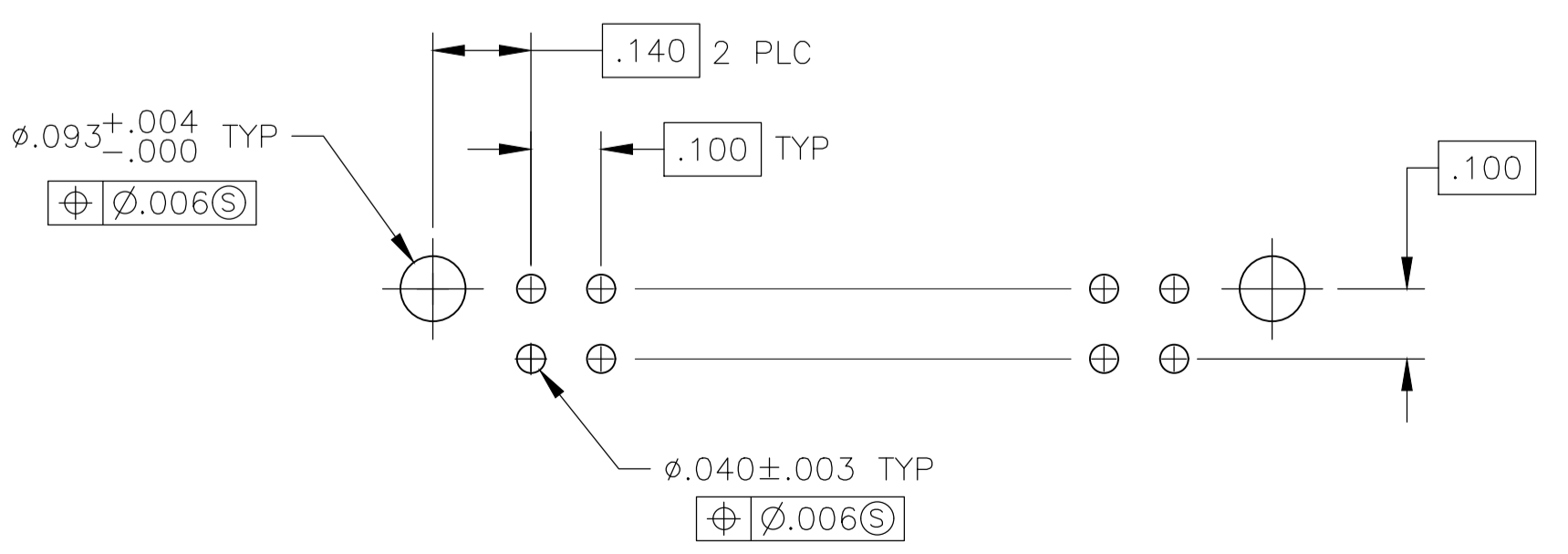


SECTION X-X



BASIC DIMENSION FOR ODD NO. OF SPACES (SEE TABLE) BASIC DIMENSION FOR EVEN NO. OF SPACES (SEE TABLE)

DETAIL Z



RECOMMENDED HOLE LAYOUT

- 1 THE NOTED DIMENSIONS APPLY AT THE INTERSECTION OF THE POST AND HOUSING
- 2 THE NOTED DIMENSIONS APPLY AT THE INTERSECTION WITH DATUM -P-
- 3 POINT OF MEASUREMENT FOR PLATING THICKNESS
- 4 PRELIMINARY PART - NOT RELEASED FOR PRODUCTION.
- 5 MATERIAL: HOUSING- FLAME RETARDANT THERMOPLASTIC, COLOR- BLACK
POST- PHOS BRONZE
- 6 FINISH: POST- .000015 GOLD IN CONTACT AREA, .000100-.000200 MATTE TIN-LEAD ON SOLDERTAIL, ALL OVER .000050 NICKEL
- 7 FINISH: POST- .000015 GOLD IN CONTACT AREA, .000100-.000200 MATTE TIN ON SOLDERTAIL, ALL OVER .000050 NICKEL
- 8 OBSOLETE PARTS: OBSOLETE CIS STREAMLINING PER D.RENAUD/D.SINISI

PLATING	C	B	A	NO OF POSN	ASSEMBLY PART NUMBER
OB				16	6-104317-8
OB				17	6-104317-7
				7	6-104317-6
				20	6-104317-5
OB				24	6-104317-4
OB				23	6-104317-3
OB				19	6-104317-2
				15	6-104317-1
				14	6-104317-0
				12	5-104317-9
OB				11	5-104317-8
				10	5-104317-7
				9	5-104317-6
				8	5-104317-5
OB				6	5-104317-4
				5	5-104317-3
				4	5-104317-2
				2	5-104317-1
				3	4-104317-9
OB				16	1-104317-8
OB				17	1-104317-7
OB				7	1-104317-6
				20	1-104317-5
				24	1-104317-4
				23	1-104317-3
				19	1-104317-2
				15	1-104317-1
				14	1-104317-0
				12	104317-9
				11	104317-8
				10	104317-7
				9	104317-6
				8	104317-5
				6	104317-4
				5	104317-3
				4	104317-2
				2	104317-1

SUPERSEDED BY 6-104317-0

SUPERSEDED BY 5-104317-7

SUPERSEDED BY 5-104317-5

SUPERSEDED BY 5-104317-3

SUPERSEDED BY 5-104317-1

THIS DRAWING IS A CONTROLLED DOCUMENT. DIMENSIONS: INCHES. TOLERANCES UNLESS OTHERWISE SPECIFIED: 0 PLC ± -, 1 PLC ± -, 2 PLC ± -, 3 PLC ± .005, 4 PLC ± -, ANGLES ± -.

DATE: 10-19-87. DRAWING NO: 10-19-87. NAME: HDR ASSY, MOD II, SHROUDED 4 SIDES, DBL ROW, VERT .100X.100 CL, W/ .025 SQ POSTS.

SCALE: 4:1. SHEET 1 OF 1. REV K3.

X-ON Electronics

Largest Supplier of Electrical and Electronic Components

Click to view similar products for [Headers & Wire Housings](#) category:

Click to view products by [TE Connectivity](#) manufacturer:

Other Similar products are found below :

[892-18-020-10-001101](#) [58102-G61-06LF](#) [582553-1](#) [0009485154](#) [009176003701906](#) [0050291907](#) [LY20-4P-DT1-P1E-BR](#) [02.125.8002.8](#)
[609-3404](#) [61062-3](#) [61082-181009](#) [622-3653LF](#) [63453-116](#) [636-1030](#) [636-1427](#) [636-3427](#) [636-4007](#) [641938-9](#) [641991-4](#) [644827-2](#) [65817-](#)
[010LF](#) [65817-015LF](#) [65863-015LF](#) [66207-023LF](#) [67095-007LF](#) [67601157](#) [68645-018](#) [68648-049](#) [70.362.1628.0](#) [70-4210](#) [70-4226B](#) [70-](#)
[4853B](#) [707-5020](#) [707-5028](#) [71.350.2428.0](#) [71918-208LF](#) [71961-016LF](#) [733-134](#) [733-162](#) [754199-000](#) [760-3052](#) [787-8014-00](#) [79531-3000](#)
[FCN-360C032-B](#) [FCN-367T-T012/H](#) [FCN-723D010/2](#) [80.063.4001.1](#) [800-90-001-10-001000](#) [800-90-010-10-002000](#) [801-43-002-10-013000](#)