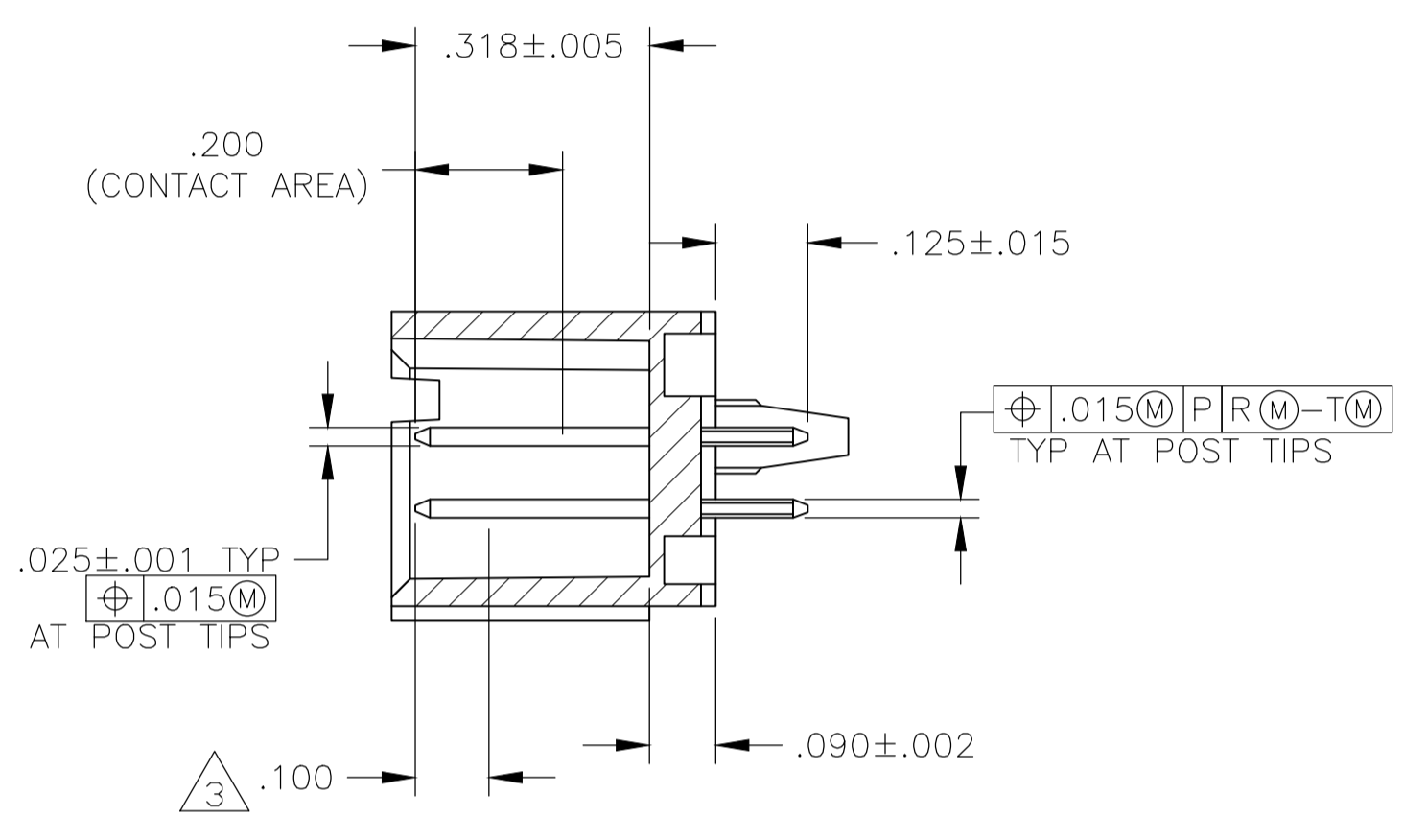
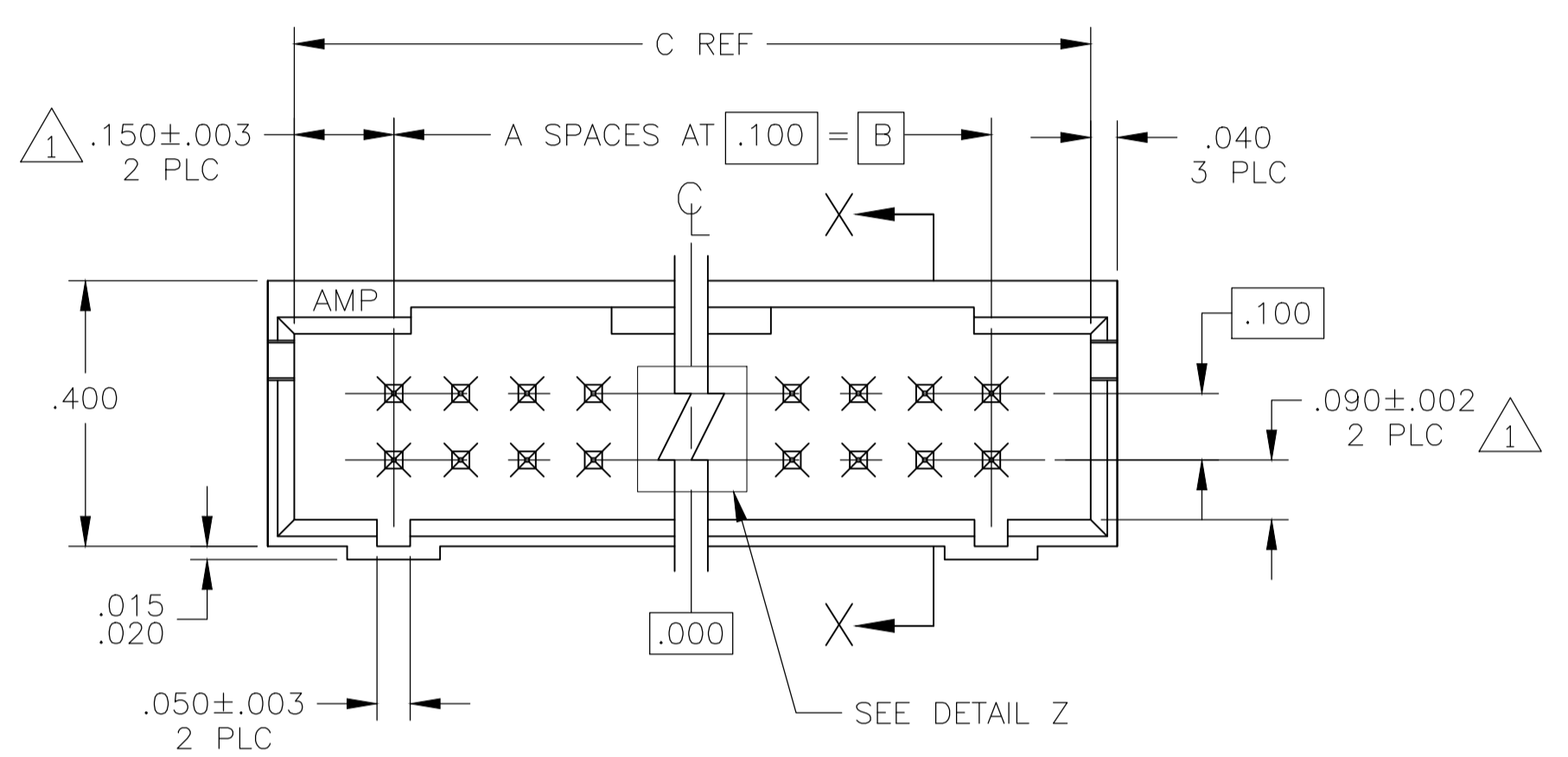
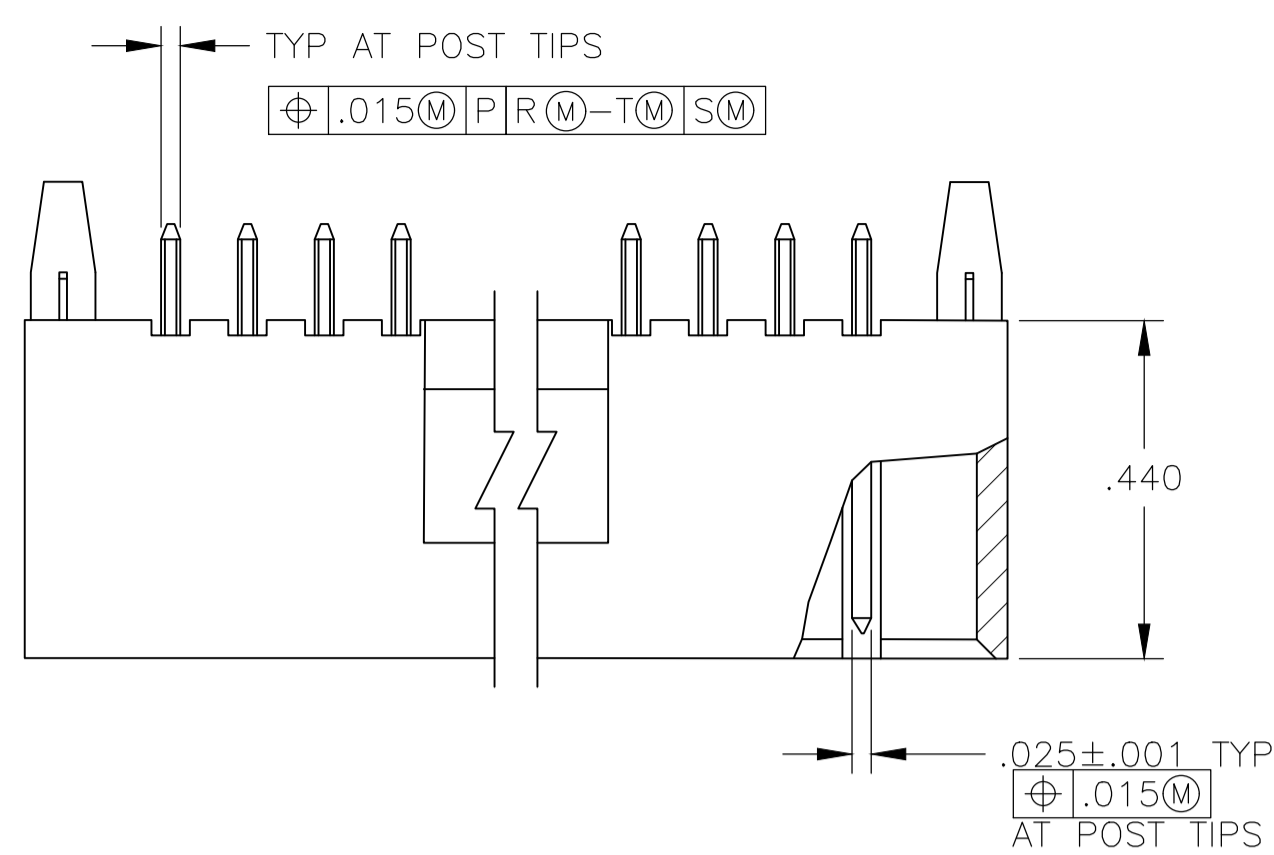
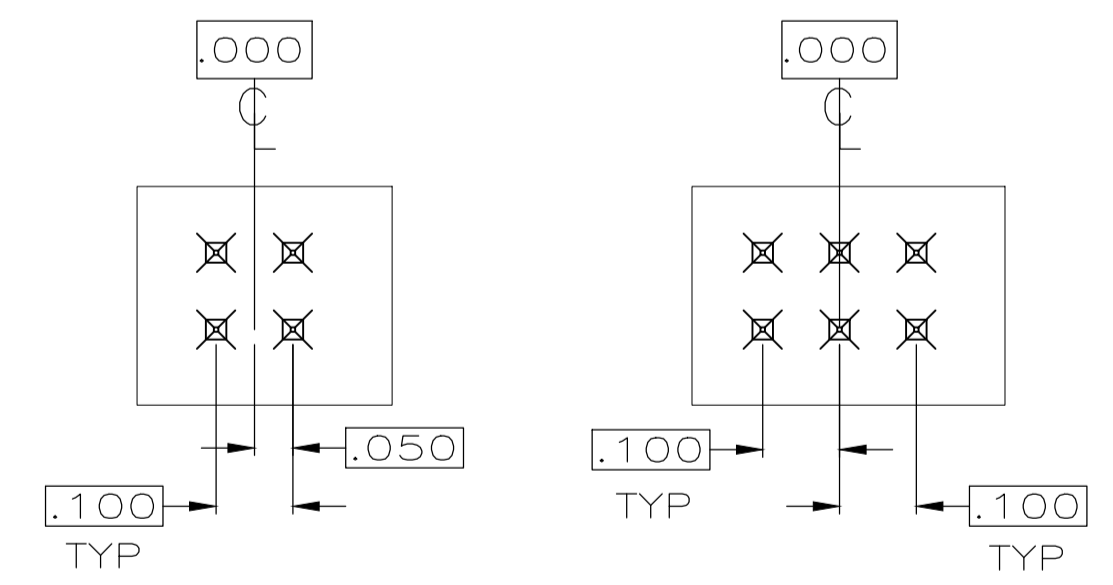
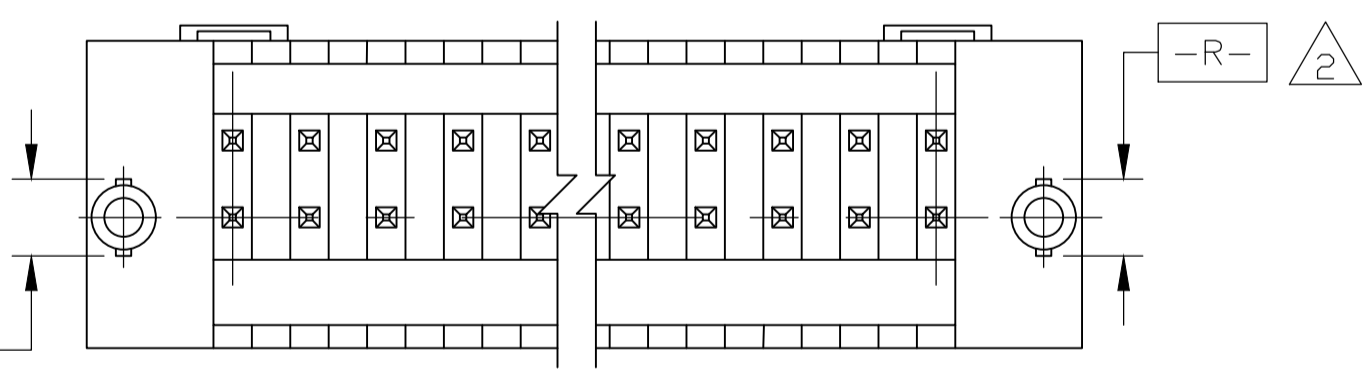
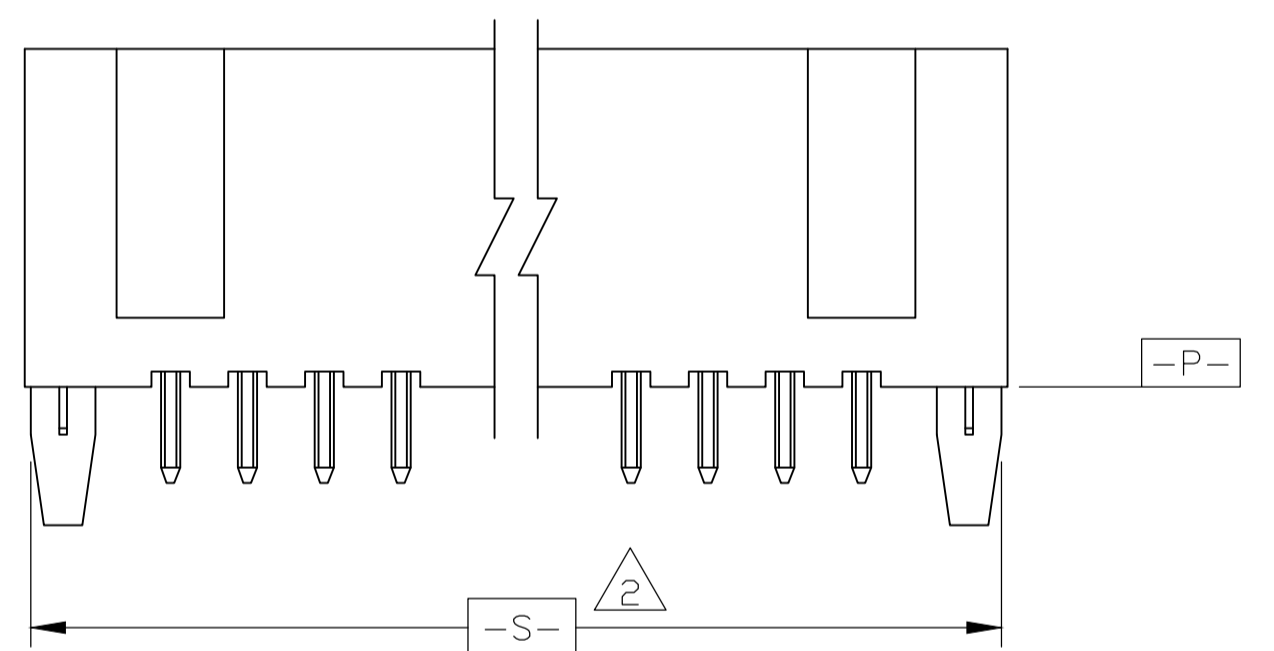


REVISIONS				
P	LTR	DESCRIPTION	DATE	BY / APPV
K3		PART STATUS UPDATED IN PART LIST TABLE	16FEB2018	SD / PS

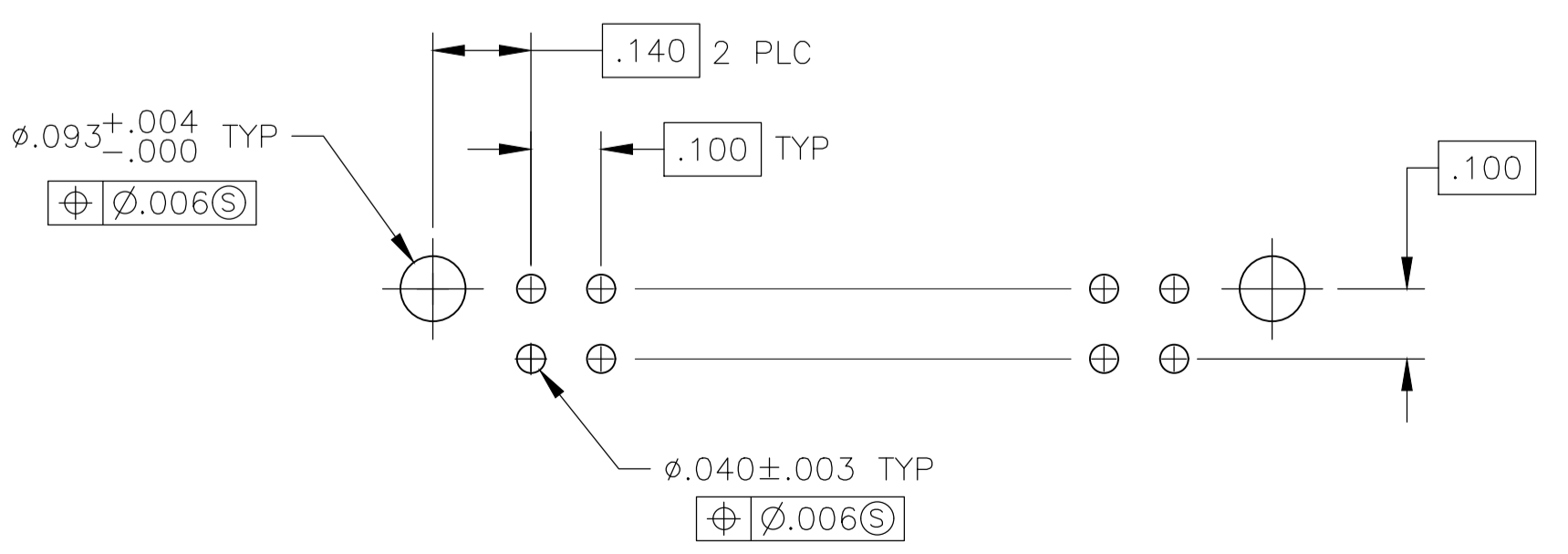


SECTION X-X



BASIC DIMENSION FOR ODD NO. OF SPACES (SEE TABLE) BASIC DIMENSION FOR EVEN NO. OF SPACES (SEE TABLE)

DETAIL Z



RECOMMENDED HOLE LAYOUT

- 1 THE NOTED DIMENSIONS APPLY AT THE INTERSECTION OF THE POST AND HOUSING
- 2 THE NOTED DIMENSIONS APPLY AT THE INTERSECTION WITH DATUM -P-
- 3 POINT OF MEASUREMENT FOR PLATING THICKNESS
- 4 PRELIMINARY PART - NOT RELEASED FOR PRODUCTION.
- 5 MATERIAL: HOUSING- FLAME RETARDANT THERMOPLASTIC, COLOR- BLACK  
POST- PHOS BRONZE
- 6 FINISH: POST- .000015 GOLD IN CONTACT AREA, .000100-.000200 MATTE TIN-LEAD ON SOLDERTAIL, ALL OVER .000050 NICKEL
- 7 FINISH: POST- .000015 GOLD IN CONTACT AREA, .000100-.000200 MATTE TIN ON SOLDERTAIL, ALL OVER .000050 NICKEL
- 8 OBSOLETE PARTS: OBSOLETE CIS STREAMLINING PER D.RENAUD/D.SINISI

8	OBSOLETE	1.900	1.600	16	34	6-104317-8
8	OBSOLETE	2.000	1.700	17	36	6-104317-7
		1.000	.700	7	16	6-104317-6
		2.300	2.000	20	42	6-104317-5
8	OBSOLETE	2.700	2.400	24	50	6-104317-4
8	OBSOLETE	2.600	2.300	23	48	6-104317-3
		2.200	1.900	19	40	6-104317-2
		1.800	1.500	15	32	6-104317-1
		1.700	1.400	14	30	6-104317-0
		1.500	1.200	12	26	5-104317-9
8	OBSOLETE	1.400	1.100	11	24	5-104317-8
		1.300	1.000	10	22	5-104317-7
		1.200	.900	9	20	5-104317-6
		1.100	.800	8	18	5-104317-5
8	OBSOLETE	.900	.600	6	14	5-104317-4
		.800	.500	5	12	5-104317-3
		.700	.400	4	10	5-104317-2
		.500	.200	2	6	5-104317-1
8	OBSOLETE	.600	.300	3	8	4-104317-9
8	OBSOLETE	1.900	1.600	16	34	1-104317-8
8	OBSOLETE	2.000	1.700	17	36	1-104317-7
		1.000	.700	7	16	1-104317-6
		2.300	2.000	20	42	1-104317-5
8	OBSOLETE	2.700	2.400	24	50	1-104317-4
8	OBSOLETE	2.600	2.300	23	48	1-104317-3
		2.200	1.900	19	40	1-104317-2
		1.800	1.500	15	32	1-104317-1
		1.700	1.400	14	30	1-104317-0
		1.500	1.200	12	26	104317-9
		1.400	1.100	11	24	104317-8
		1.300	1.000	10	22	104317-7
		1.200	.900	9	20	104317-6
		1.100	.800	8	18	104317-5
		.900	.600	6	14	104317-4
		.800	.500	5	12	104317-3
		.700	.400	4	10	104317-2
		.500	.200	2	6	104317-1

SUPERSEDED BY 6-104317-0

SUPERSEDED BY 5-104317-7

SUPERSEDED BY 5-104317-5

SUPERSEDED BY 5-104317-3

SUPERSEDED BY 5-104317-1

PLATING	C	B	A	NO OF POSN	ASSEMBLY PART NUMBER

THIS DRAWING IS A CONTROLLED DOCUMENT. DIM H MOLL 10-19-87 DIM R FRJDT 10-19-87

TE Connectivity

HDR ASSY, MOD II, SHROUDED  
4 SIDES, DBL ROW, VERT  
.100X.100 CL, W/ .025 SQ POSTS

SIZE: A1  
CAGE CODE: 00779  
DRAWING NO: 104317

SCALE: 4:1 SHEET: 1 OF 1 REV: K3

## X-ON Electronics

Largest Supplier of Electrical and Electronic Components

*Click to view similar products for [Headers & Wire Housings](#) category:*

*Click to view products by [TE Connectivity](#) manufacturer:*

Other Similar products are found below :

[892-18-020-10-001101](#) [58102-G61-06LF](#) [582553-1](#) [0009485154](#) [009176003701906](#) [0050291907](#) [LY20-4P-DT1-P1E-BR](#) [02.125.8002.8](#)  
[609-3404](#) [61062-3](#) [61082-181009](#) [622-3653LF](#) [63453-116](#) [636-1030](#) [636-1427](#) [636-3427](#) [636-4007](#) [641938-9](#) [641991-4](#) [644827-2](#) [65817-](#)  
[010LF](#) [65817-015LF](#) [65863-015LF](#) [66207-023LF](#) [67095-007LF](#) [67601157](#) [68645-018](#) [68648-049](#) [70.362.1628.0](#) [70-4210](#) [70-4226B](#) [70-](#)  
[4853B](#) [707-5020](#) [707-5028](#) [71.350.2428.0](#) [71918-208LF](#) [71961-016LF](#) [733-134](#) [733-162](#) [754199-000](#) [760-3052](#) [787-8014-00](#) [79531-3000](#)  
[FCN-360C032-B](#) [FCN-367T-T012/H](#) [FCN-723D010/2](#) [80.063.4001.1](#) [800-90-001-10-001000](#) [800-90-010-10-002000](#) [801-43-002-10-013000](#)