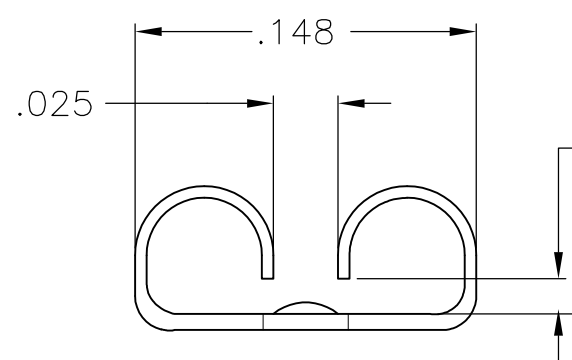
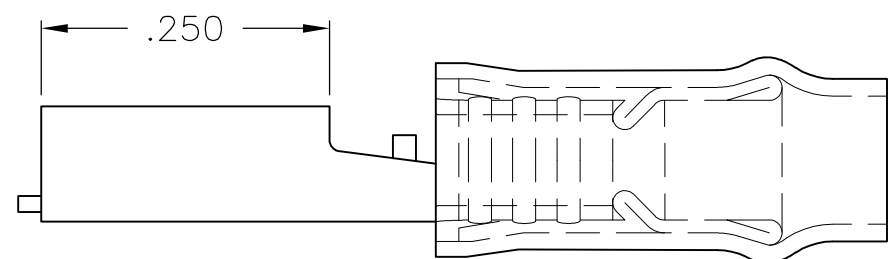
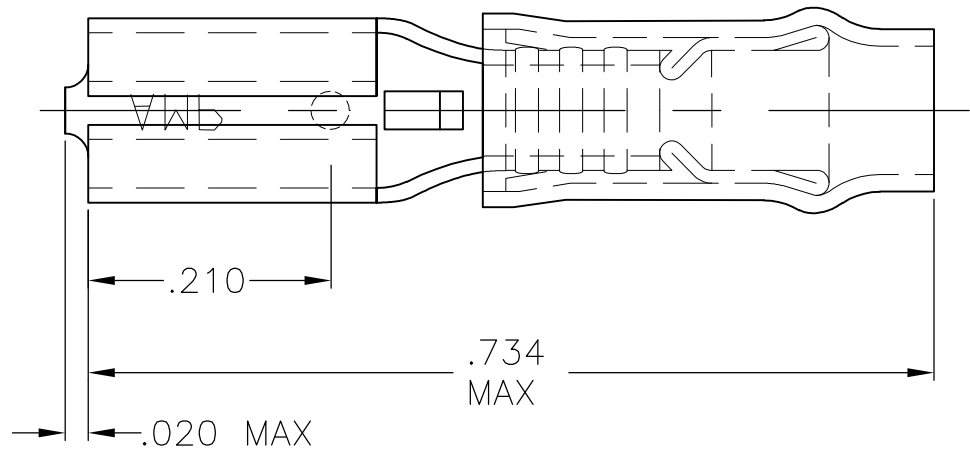


THIS DRAWING IS UNPUBLISHED. RELEASED FOR PUBLICATION  
 © COPYRIGHT - By - ALL RIGHTS RESERVED.

LOC	DIST	REVISIONS					
		P	LTR	DESCRIPTION	DATE	DWN	APVD
G	14		H	REVISED PER ECO-14-015277	21FEB2015	NK	DR



FITS "110" SERIES FASTON TAB  
 (REFER TO CP-16000 FOR TAB DETAILS)

- 1 THIS TERMINAL TO BE SUPPLIED IN INDIVIDUAL FORM, NOT AS CONTINUOUS STRIP.
- 2 INSULATION RANGE .100 MAX.
- 3 TAB THK .016±.001.

QTY	PACKAGE TYPE	PART NO
100	LOOSE PIECE,BOX	8-61048-1
-	TAPE MOUNTED	61048-2
-	LOOSE PIECE	61048-1

AMP INCORPORATED CUSTOMER SERVICE SYSTEM	
FOR ADDITIONAL PRODUCT INFORMATION OR COPIES OF DRAWINGS AND TECHNICAL DOCUMENTS	PRODUCT INFORMATION CENTER 1-800-522-6752
FOR APPLICATION TOOLING INFORMATION	TOOLING ASSISTANCE CENTER 1-800-722-1111
FOR ORDER ENTRY	1-800-526-5142

MAX RECOMMENDED OPERATING TEMPERATURE: -
VOLTAGE RATING: -
CIRCULAR MIL AREA: -

THIS DRAWING IS A CONTROLLED DOCUMENT.	
DIMENSIONS: INCHES	TOLERANCES UNLESS OTHERWISE SPECIFIED:
	0 PLC ± -
	1 PLC ± -
	2 PLC ± .015
	3 PLC ± -
	4 PLC ± -
	ANGLES ± -
MATERIAL BODY,BRASS .012	FINISH BODY,PRE-TIN

DWN L OLMEDA 13NOV95
CHK M ELLIS 13NOV95
APVD B BARE 13NOV95
PRODUCT SPEC -
APPLICATION SPEC -
WEIGHT -

<b>STE</b> TE Connectivity			
RECEPTACLE, 110 SERIES, FASTON™, PIDG™, WIRE SIZE, 22-18			
SIZE A3	CAGE CODE 00779	DRAWING NO C-61048	RESTRICTED TO -
CUSTOMER DRAWING		SCALE NTS	SHEET 1 OF 1
		REV H	

## X-ON Electronics

Largest Supplier of Electrical and Electronic Components

*Click to view similar products for [Terminals](#) category:*

*Click to view products by [TE Connectivity](#) manufacturer:*

Other Similar products are found below :

[00-054007-01074-6](#) [00-054007-70206-1](#) [00-054007-70210-8](#) [00-054007-70217-7](#) [00-054007-70226-9](#) [00-054007-70228-3](#) [00-054007-70248-1](#) [00-054007-70256-6](#) [00-054007-70301-3](#) [00-054007-70316-7](#) [0-0320562-0](#) [00-054007-49560-4](#) [00-054007-70209-2](#) [00-054007-70225-2](#) [00-054007-70227-6](#) [00-054007-70231-3](#) [00-054007-70241-2](#) [00-054007-70242-9](#) [00-054007-70244-3](#) [00-054007-70246-7](#) [00-054007-70263-4](#) [00-054007-70288-7](#) [00-054007-70290-0](#) [00-054007-70300-6](#) [00-054007-70304-4](#) [01-2065-1-0216](#) [01-2900-1-04412](#) [00581P0075](#) [600TS-10](#) [60205-1](#) [604200-1](#) [605601-1](#) [60598-1-CUT-TAPE](#) [61314-6-C](#) [61810-3](#) [61-S](#) [61-SN](#) [626-0194](#) [62-NBM-A](#) [62-SN](#) [62-SP](#) [63-S](#) [640179-1](#) [M55155/059I03](#) [M55155/079C01](#) [M55155/099H02](#) [M55155/109H01](#) [M55155/109H02](#) [M55155/12XH05](#) [M55155/16XH02](#)