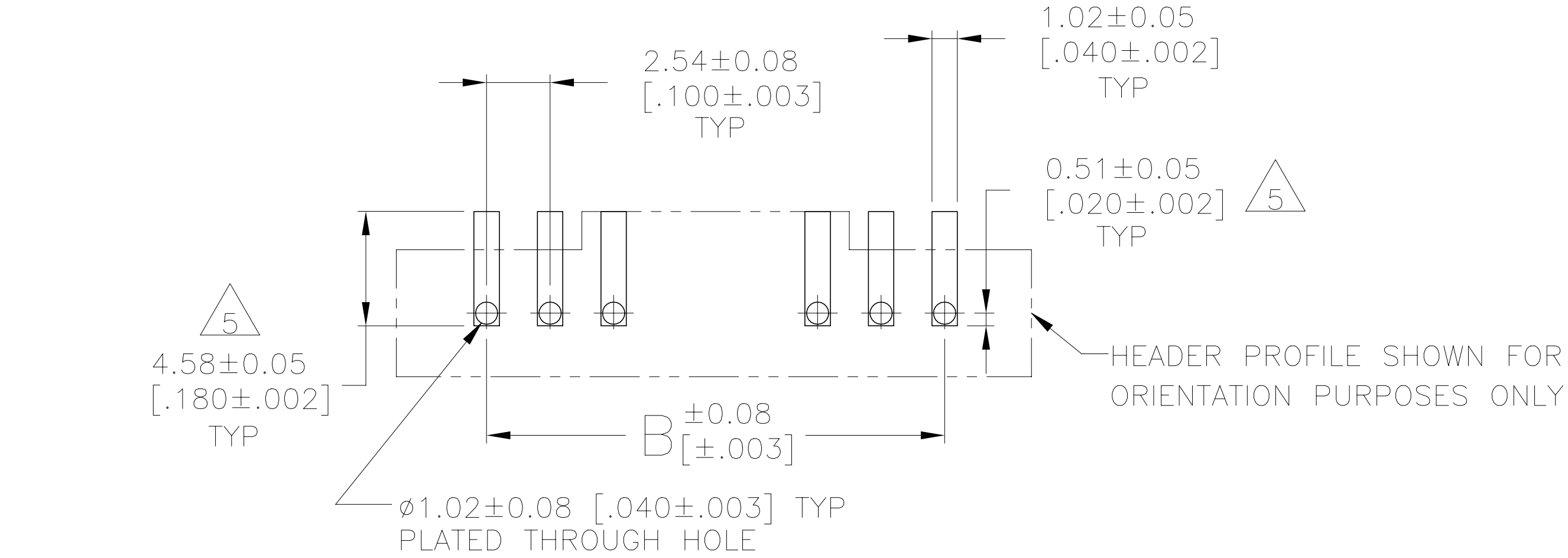
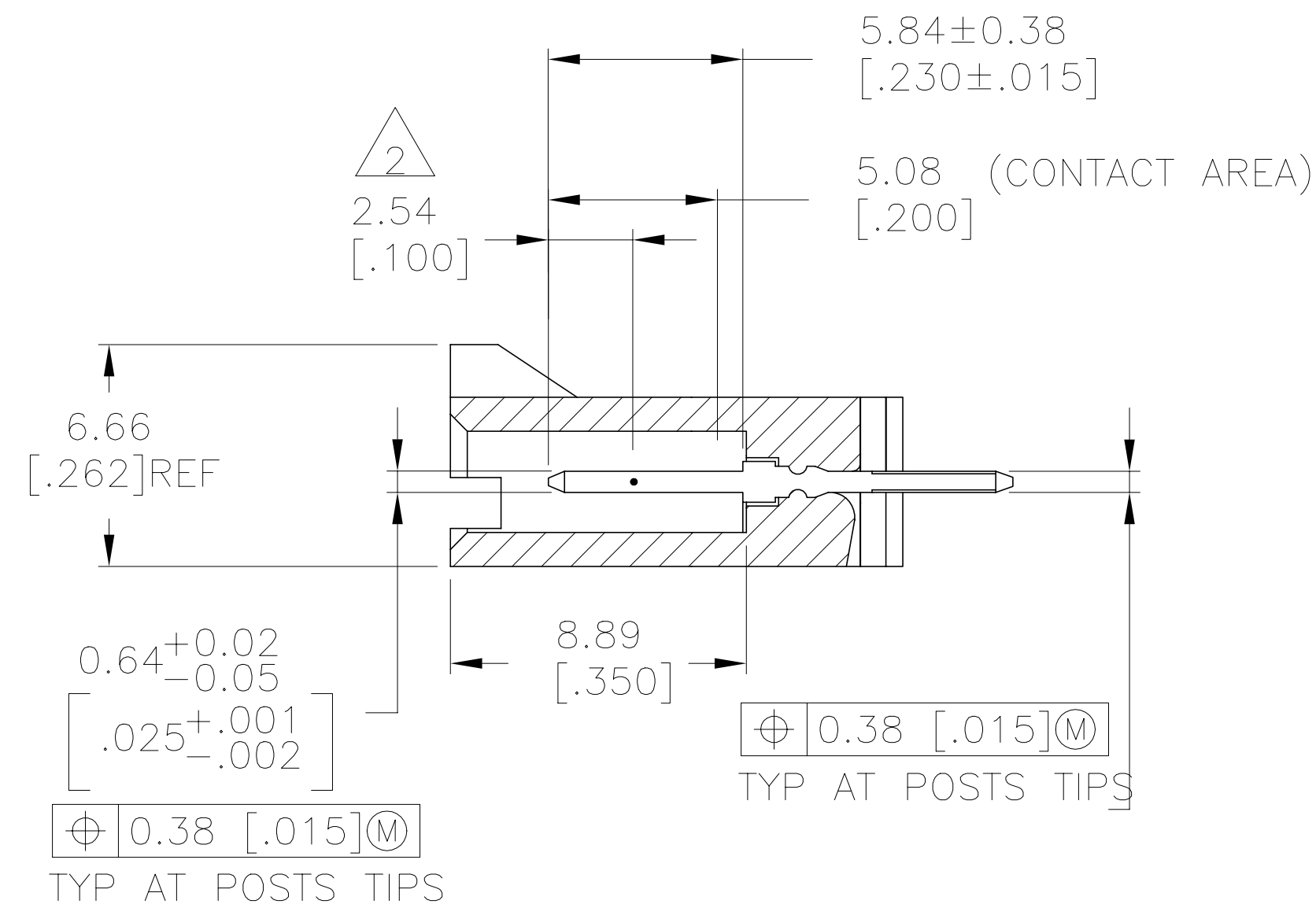
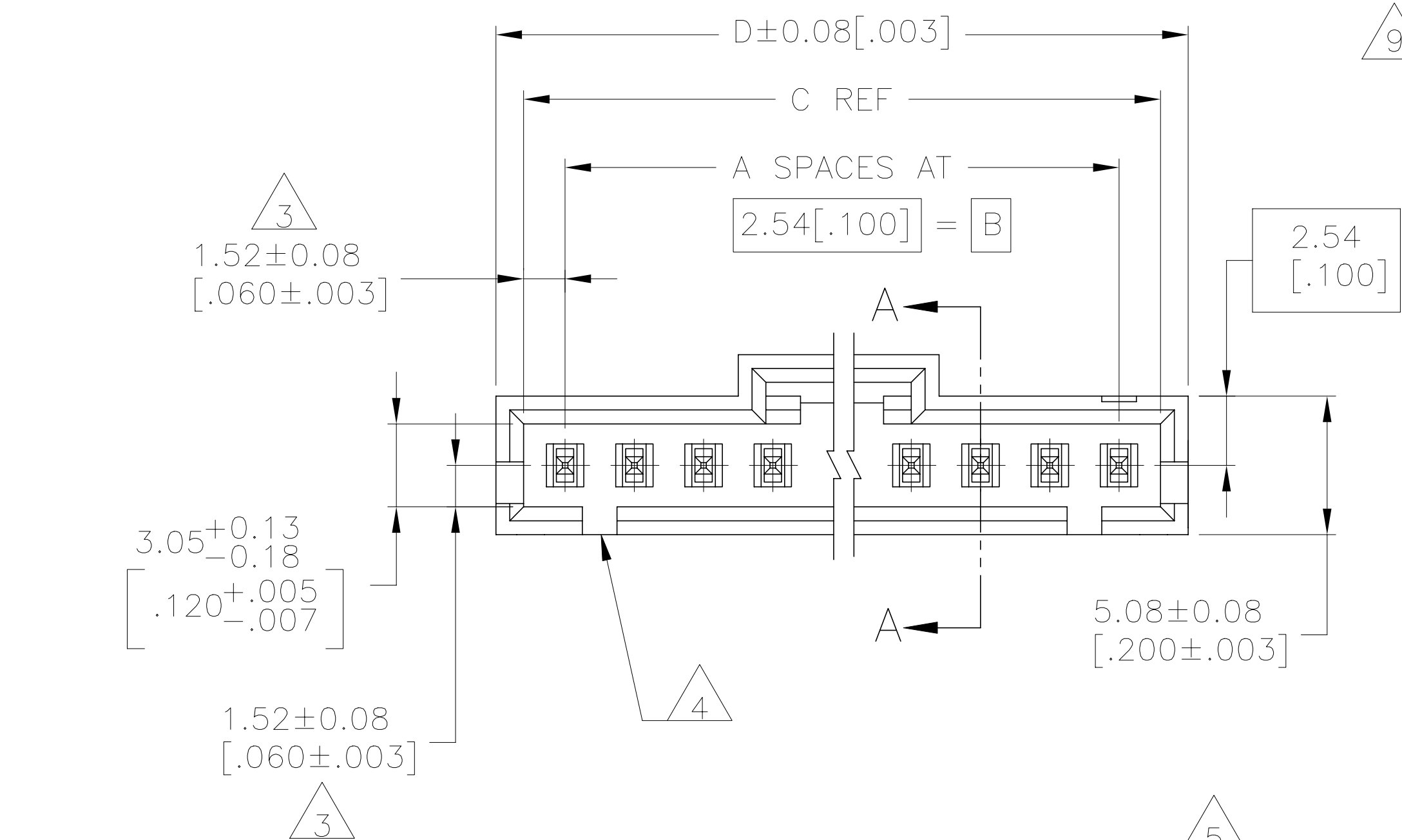
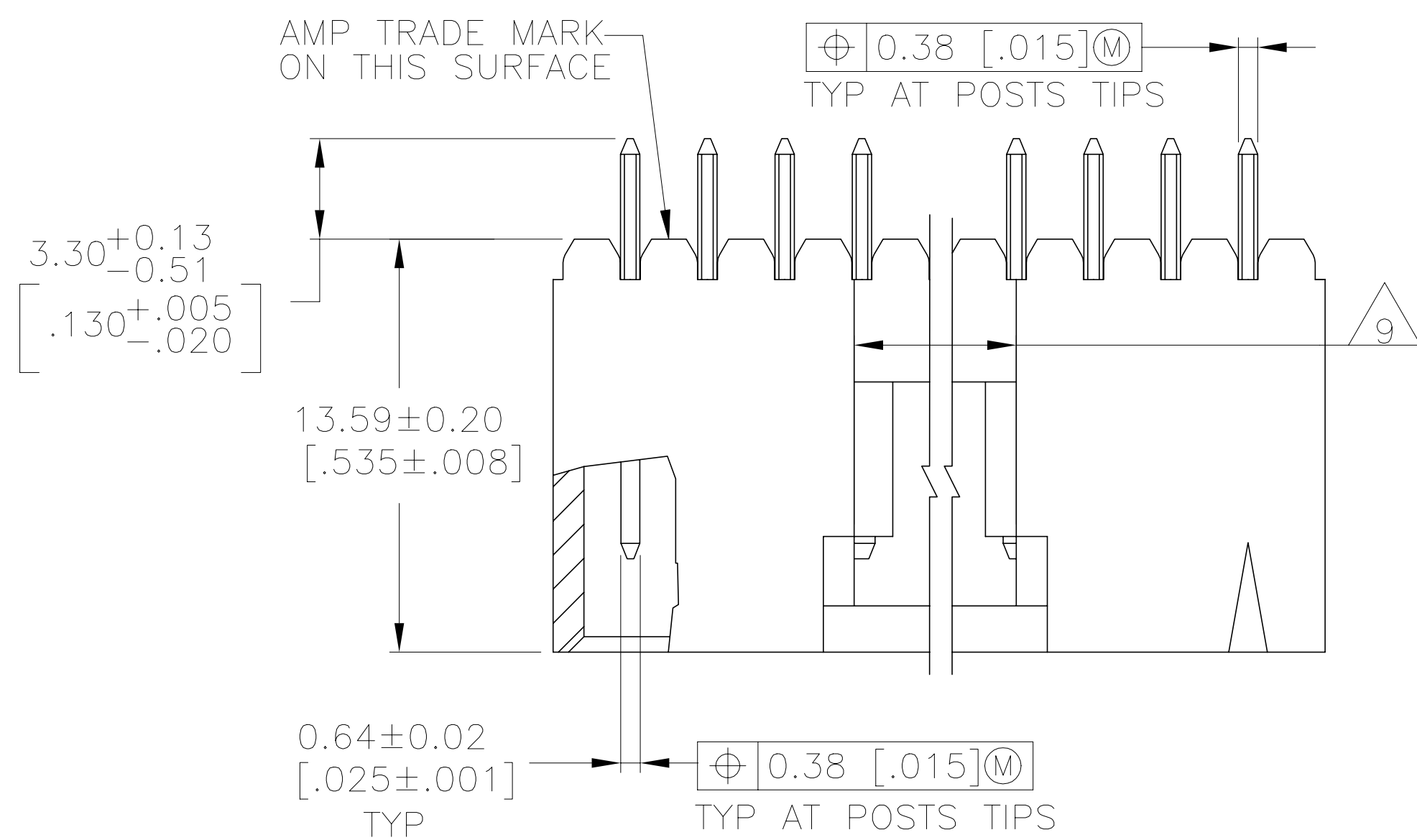


REVISIONS					
P	LTR	DESCRIPTION	DATE	DWN	APVD
J		REVISED PER ECO-20-001327	05JUN2020	SB	JO

- 1 0.00038[.000015] GOLD IN THE CONTACT AREA, 0.00254-0.00508[.000100-.000200] MATTE TIN-LEAD ON THE SOLDER TAIL, ALL OVER 0.00127[.000050] NICKEL
- 2 POINT OF MEASUREMENT FOR PLATING THICKNESS
- 3 THE NOTED DIMENSIONS APPLY FROM THE BASIC DIMENSION LINE (NOT THE POST CENTERLINE) TO THE SURFACE INDICATED
- 4 ONE POLARIZATION SLOT FOR 2 POSITION ASSEMBLY ONLY.
- 5 DIMENSIONS NOTED ARE FOR SOLDER STENCIL LAYOUT FOR USE WITH 1.57±0.02[.062±.008] THICK PRINTED CIRCUIT BOARDS.
- 6 PARTS ARE PACKAGED IN GANG OF TUBES
- 7 0.00038[.000015] GOLD IN THE CONTACT AREA, 0.00254-0.00508[.000100-.000200] MATTE TIN ON THE SOLDER TAIL, ALL OVER 0.00127[.000050] NICKEL.
- 8 OBSOLETE PARTS: OBSOLETE CIS STREAMLINING PER D.RENAUD/D.SINISI
- 9 0.25 [.010] RECESS PERMISSIBLE IN THIS AREA FOR MOLD SHUT OFF



REV	DATE	DESCRIPTION	BY	CHKD	APPD	QTY	UNIT	REVISION
7	65.91 [2.595]	64.01 [2.520]	60.96 [2.400]	24	25	7-104910-4		
7	63.37 [2.495]	61.47 [2.420]	58.42 [2.300]	23	24	7-104910-3		
7	60.83 [2.395]	58.93 [2.320]	55.88 [2.200]	22	23	7-104910-2		
7	58.29 [2.295]	56.39 [2.220]	53.34 [2.100]	21	22	7-104910-1		
7	55.75 [2.195]	53.85 [2.120]	50.80 [2.000]	20	21	7-104910-0		
7	53.21 [2.095]	51.31 [2.020]	48.26 [1.900]	19	20	6-104910-9		
7	50.67 [1.995]	48.77 [1.920]	45.72 [1.800]	18	19	6-104910-8		
7	48.13 [1.895]	46.23 [1.820]	43.18 [1.700]	17	18	6-104910-7		
7	45.59 [1.795]	43.69 [1.720]	40.64 [1.600]	16	17	6-104910-6		
7	43.05 [1.695]	41.15 [1.620]	38.1 [1.500]	15	16	6-104910-5		
7	40.51 [1.595]	38.61 [1.520]	35.56 [1.400]	14	15	6-104910-4		
7	37.97 [1.495]	36.07 [1.420]	33.02 [1.300]	13	14	6-104910-3		
7	35.43 [1.395]	33.53 [1.320]	30.48 [1.200]	12	13	6-104910-2		
1	65.91 [2.595]	64.01 [2.520]	60.96 [2.400]	24	25	2-104910-4		
1	63.37 [2.495]	61.47 [2.420]	58.42 [2.300]	23	24	2-104910-3		
1	60.83 [2.395]	58.93 [2.320]	55.88 [2.200]	22	23	2-104910-2		
1	58.29 [2.295]	56.39 [2.220]	53.34 [2.100]	21	22	2-104910-1		
1	55.75 [2.195]	53.85 [2.120]	50.80 [2.000]	20	21	2-104910-0		
1	53.21 [2.095]	51.31 [2.020]	48.26 [1.900]	19	20	1-104910-9		
1	50.67 [1.995]	48.77 [1.920]	45.72 [1.800]	18	19	1-104910-8		
1	48.13 [1.895]	46.23 [1.820]	43.18 [1.700]	17	18	1-104910-7		
1	45.59 [1.795]	43.69 [1.720]	40.64 [1.600]	16	17	1-104910-6		
1	43.05 [1.695]	41.15 [1.620]	38.1 [1.500]	15	16	1-104910-5		
1	40.51 [1.595]	38.61 [1.520]	35.56 [1.400]	14	15	1-104910-4		
1	37.97 [1.495]	36.07 [1.420]	33.02 [1.300]	13	14	1-104910-3		
1	35.43 [1.395]	33.53 [1.320]	30.48 [1.200]	12	13	1-104910-2		

SUPERSEDED

8 SUPERSEDED BY 6-104910-2

RECOMMENDED PC BOARD MOUNTING DIMENSIONS
RECOMMENDED STENCIL THICKNESS = 0.25[.010]

THIS DRAWING IS A CONTROLLED DOCUMENT.

DIMENSIONS: mm [INCHES]

TOLERANCES UNLESS OTHERWISE SPECIFIED:

0 PLC	± -
1 PLC	± -
2 PLC	± 0.13[.005]
3 PLC	± -
4 PLC	± -
ANGLES	± -

MATERIAL HOUSING: HIGH TEMPERATURE LCP
COLOR-BLACK
POSTS: BRASS

FINISH: SEE TABLE

DWN: E. BRANDBERG 10-13-94
CHK: J. GESFORD 10-13-94
APVD: D. DUPLER 10-13-94

NAME: HEADER ASSY, AMPMODU MTE, VERTICAL SINGLE ROW, 2.54[.100] POLARIZED WITH LATCHING, HIGH TEMP

SIZE: A2
CAGE CODE: 00779
DRAWING NO: 104910
RESTRICTED TO: -

CUSTOMER DRAWING

SCALE: 4:1
SHEET: 1 OF 1
REV: J

X-ON Electronics

Largest Supplier of Electrical and Electronic Components

Click to view similar products for [Headers & Wire Housings](#) category:

Click to view products by [TE Connectivity](#) manufacturer:

Other Similar products are found below :

[892-18-020-10-001101](#) [58102-G61-06LF](#) [582553-1](#) [0009485154](#) [009176003701906](#) [0050291907](#) [LY20-4P-DT1-P1E-BR](#) [02.125.8002.8](#)
[609-3404](#) [61062-3](#) [61082-181009](#) [622-3653LF](#) [63453-116](#) [636-1030](#) [636-1427](#) [636-3427](#) [636-4007](#) [641938-9](#) [641991-4](#) [644827-2](#) [65817-](#)
[010LF](#) [65817-015LF](#) [65863-015LF](#) [66207-023LF](#) [67095-007LF](#) [67601157](#) [68645-018](#) [68648-049](#) [70.362.1628.0](#) [70-4210](#) [70-4226B](#) [70-](#)
[4853B](#) [707-5020](#) [707-5028](#) [71.350.2428.0](#) [71918-208LF](#) [71961-016LF](#) [733-134](#) [733-162](#) [754199-000](#) [760-3052](#) [787-8014-00](#) [79531-3000](#)
[FCN-360C032-B](#) [FCN-367T-T012/H](#) [FCN-723D010/2](#) [80.063.4001.1](#) [800-90-001-10-001000](#) [800-90-010-10-002000](#) [801-43-002-10-013000](#)