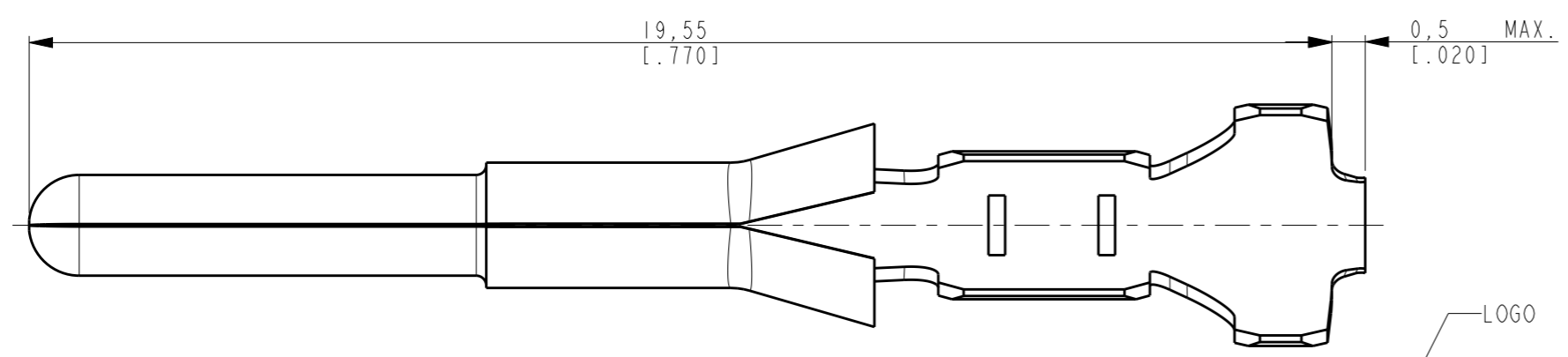
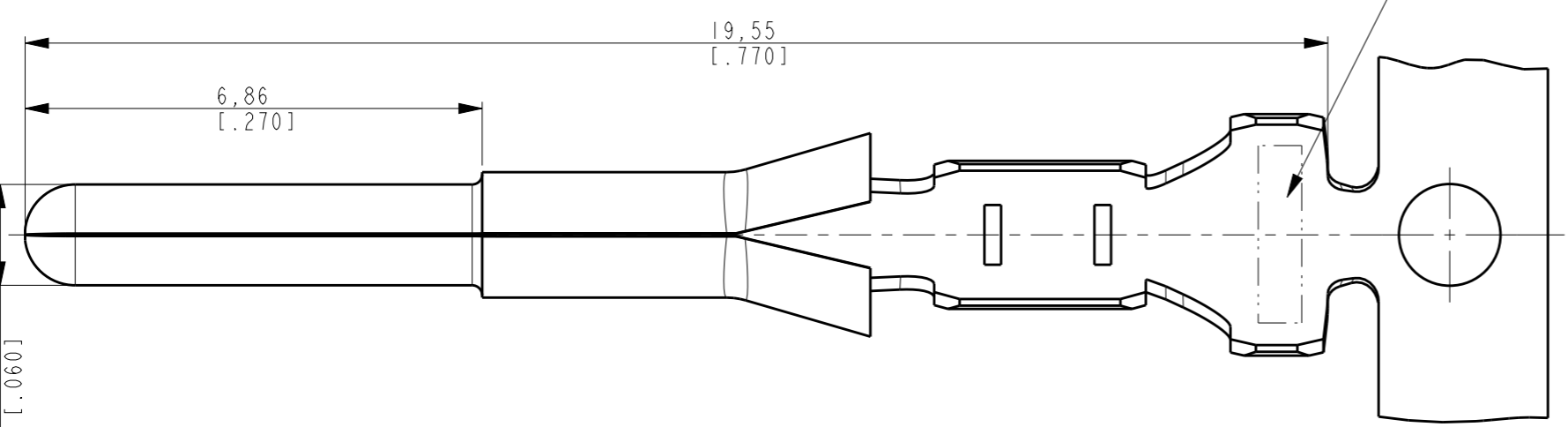


THIS DRAWING IS UNPUBLISHED. RELEASED FOR PUBLICATION 20
 © COPYRIGHT 20 TE ALL RIGHTS RESERVED.

LOC	DIST	REVISIONS				
P	LTR	DESCRIPTION	DATE	DWN	APVD	
	J	REV. ECO-11-020077	180CT2011	HC	WLS	
	J1	REV. BY ECO 13-016867	300CT2013	HC	WLS	



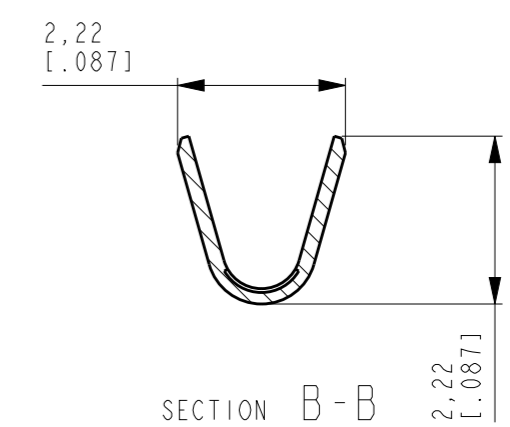
AFTER CUTOFF



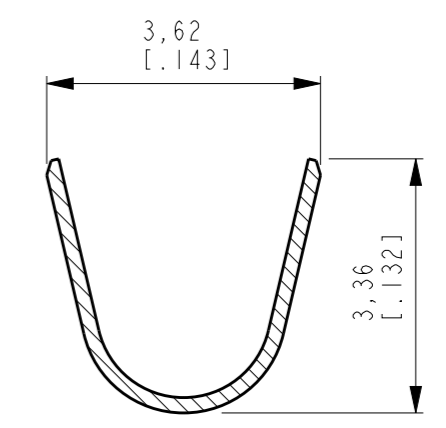
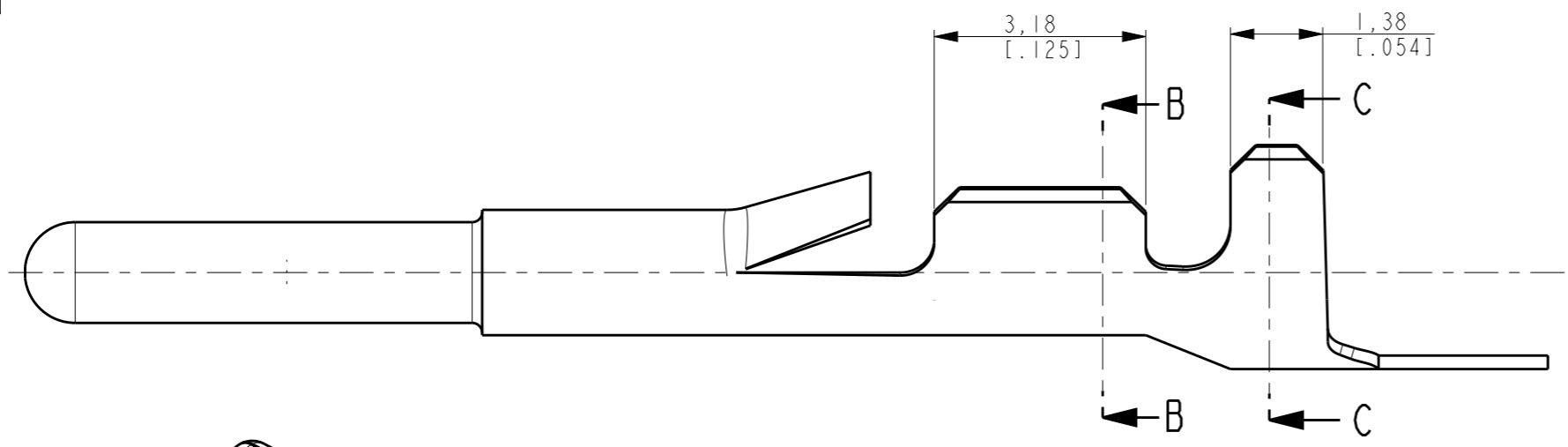
LOGO

NOTES:

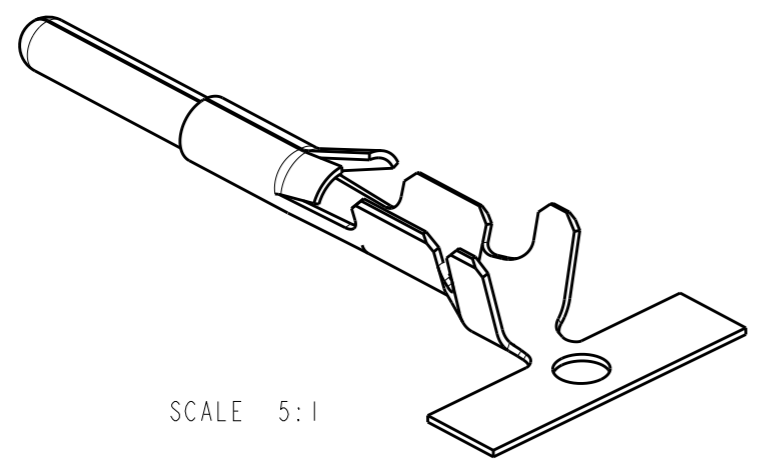
△ WIRE RANGE #22 TO #18 AWG; INSULATION RANGE 1,5 mm TO 2,8 mm [0.060 TO .100 INCH]



SECTION B-B



SECTION C-C



SCALE 5:1

FINISH	MATERIAL	DESCRIPTION	PARTNUMBER
POST-TIN OVER NICKEL	BRASS	LOOSE PIECE	61121-1
PRE-TIN	BRASS	STRIP PRODUCT	61062-3
PRE-TIN OVER NICKEL	BRASS	STRIP PRODUCT	61062-1

THIS DRAWING IS A CONTROLLED DOCUMENT.

DIMENSIONS:	TOLERANCES UNLESS OTHERWISE SPECIFIED:
mm [inch]	
0 PLC	±
1 PLC	±
2 PLC	±0,31(.012)
3 PLC	±
4 PLC	±
ANGLES	±2°
MATERIAL	FINISH

DWN	H.C.CANTERI	11NOV2009
CHK	W.L.STEFANI	12NOV2009
APVD	-	-
PRODUCT SPEC	108-1002	-
APPLICATION SPEC	-	-
WEIGHT	-	-

STE TE Connectivity			
NAME .060 COMBOLINE PIN			
SIZE	CAGE CODE	DRAWING NO	RESTRICTED TO
A3	00779	C-61062	-

CUSTOMER DRAWING	SCALE	SHEET	OF	REV
	10/1	1	1	J1

X-ON Electronics

Largest Supplier of Electrical and Electronic Components

Click to view similar products for [Headers & Wire Housings](#) category:

Click to view products by [TE Connectivity](#) manufacturer:

Other Similar products are found below :

[95000-104TRLF](#) [10135584-644402LF](#) [DF62W-EP2022PCA](#) [95000-106TRLF](#) [DF62W-2022SCA](#) [DF62W-EP2022PC](#) [2203348](#) [DF62W-2022SC](#) [1084018](#) [1029039](#) [1084017](#) [802-10-012-10-002000](#) [1112640](#) [1112639](#) [891-007-9SS-BST1T](#) [000-34000](#) [0008550134](#) [0009482033](#) [0009507031](#) [57102-F02-18ULF](#) [57102-S06-03LF](#) [57202-S52-04LF](#) [PCN6-15S-2.5E](#) [0039019024](#) [58102-G61-06LF](#) [582553-1](#) [0009485154](#) [0009508121](#) [0022285053](#) [0050291907](#) [018731A](#) [LY20-4P-DT1-P1E-BR](#) [02.125.8002.8](#) [60101931](#) [60598-1 \(Cut Strip\)](#) [M1625-3R/100](#) [61062-3](#) [61082-181009](#) [CSU011177004](#) [636-1427](#) [638009-1](#) [641938-9](#) [641991-4](#) [644168-1](#) [644827-2](#) [647662-1](#) [65039-019ELF](#) [65692-001LF](#) [65781-018](#) [65781-047](#)