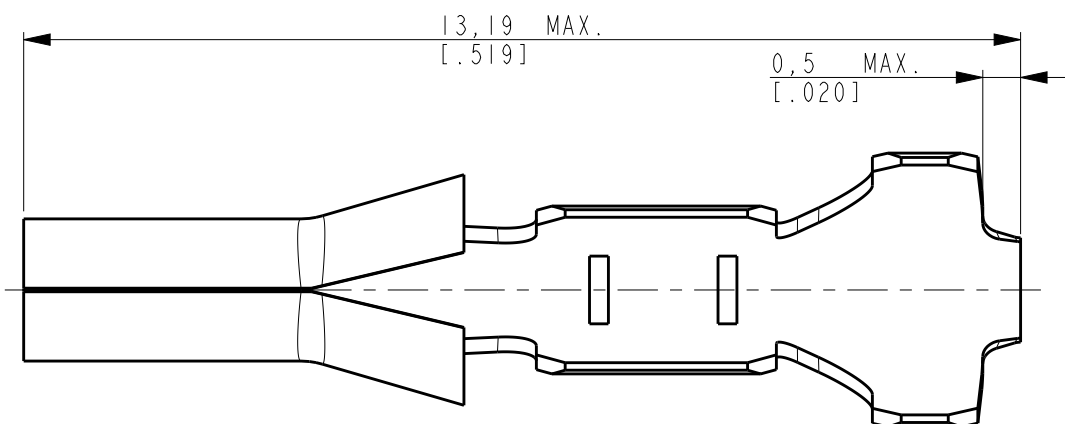


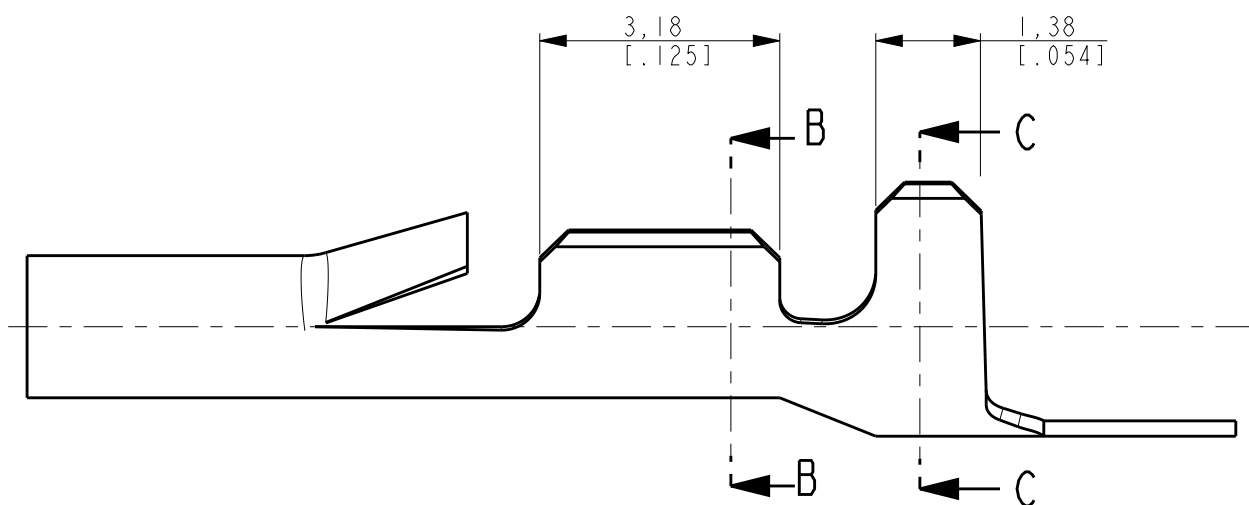
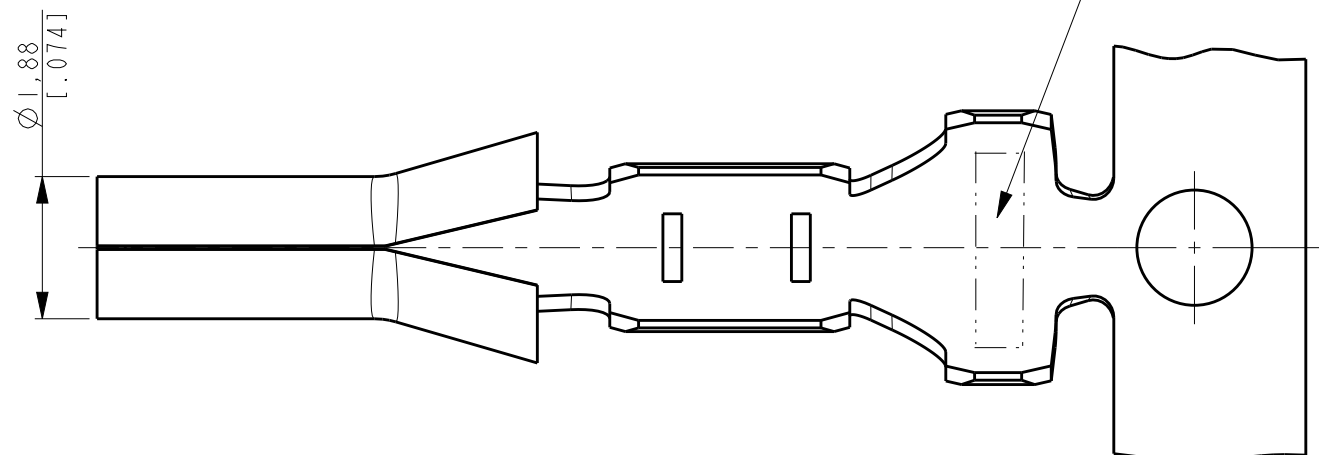
THIS DRAWING IS UNPUBLISHED. RELEASED FOR PUBLICATION 20
 © COPYRIGHT 20 TE ALL RIGHTS RESERVED.

LOC	DIST	REVISIONS			
P	LTR	DESCRIPTION	DATE	DWN	APVD
	L	REV. BY ECO-11-020077	18OCT2011	HC	WLS
	LI	REV. BY ECO 13-016867	30OCT2013	HC	WLS



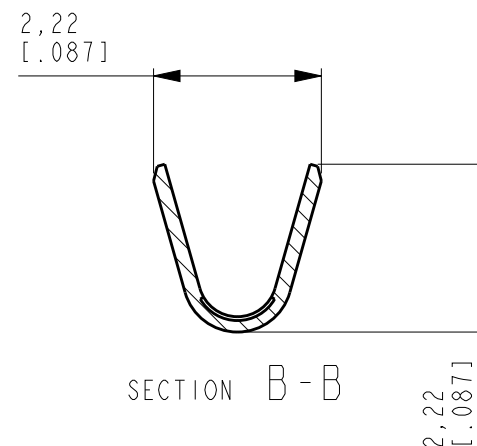
AFTER CUTOFF

LOGO

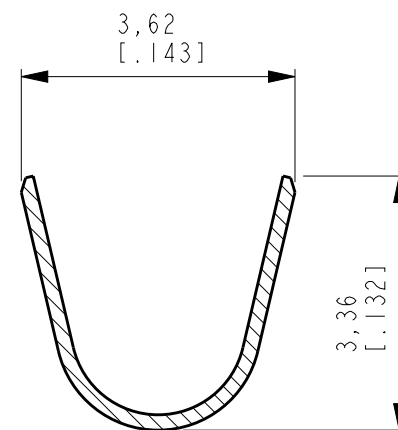


NOTES:

⚠ WIRE RANGE #22 TO #18 AWG; INSULATION RANGE 1,5 mm TO 2,8 mm [.060 TO .100 INCH]

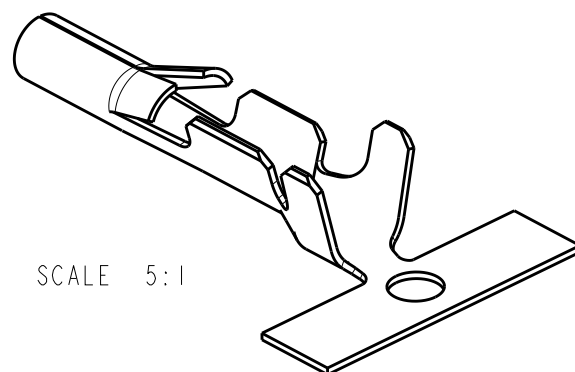


SECTION B-B




SECTION C-C

FINISH	MATERIAL	DESCRIPTION	PARTNUMBER
POST-TIN OVER NICKEL	BRASS	LOOSE PIECE	61123-1
PRE-TIN	BRASS	STRIP PRODUCT	61064-3
PRE-TIN OVER NICKEL	BRASS	STRIP PRODUCT	61064-1



SCALE 5:1

THIS DRAWING IS A CONTROLLED DOCUMENT.		DWN H.C. CANTERI NOV2009	 TE Connectivity	
DIMENSIONS: mm [inch]		CHK W.L. STEFANI NOV2009		
TOLERANCES UNLESS OTHERWISE SPECIFIED:		APVD -	NAME .060 COMBOLINE SOCKET	
0 PLC ± 1 PLC ± 2 PLC ±0,31 (.012) 3 PLC ± 4 PLC ± ANGLES ±2°		PRODUCT SPEC 108-1002	RESTRICTED TO -	
MATERIAL SEE TABLE		APPLICATION SPEC -	SIZE A3	CAGE CODE 00779
FINISH SEE TABLE		WEIGHT -	DRAWING NO C-61064	REV LI
Customer Drawing			SCALE 10/1	SHEET 1 OF 1

X-ON Electronics

Largest Supplier of Electrical and Electronic Components

Click to view similar products for [Headers & Wire Housings](#) category:

Click to view products by [TE Connectivity](#) manufacturer:

Other Similar products are found below :

[95000-104TRLF](#) [10135584-644402LF](#) [DF62W-EP2022PCA](#) [95000-106TRLF](#) [DF62W-2022SCA](#) [DF62W-EP2022PC](#) [2203348](#) [DF62W-2022SC](#) [1084018](#) [1029039](#) [1084017](#) [802-10-012-10-002000](#) [1112640](#) [1112639](#) [891-007-9SS-BST1T](#) [000-34000](#) [0008550134](#) [0009482033](#) [0009507031](#) [57102-F02-18ULF](#) [57102-S06-03LF](#) [57202-S52-04LF](#) [PCN6-15S-2.5E](#) [0039019024](#) [58102-G61-06LF](#) [582553-1](#) [0009485154](#) [0009508121](#) [009176003701906](#) [0022285053](#) [0050291907](#) [018731A](#) [LY20-4P-DT1-P1E-BR](#) [02.125.8002.8](#) [60101931](#) [60598-1 \(Cut Strip\)](#) [M1625-3R/100](#) [61062-3](#) [61082-181009](#) [CSU011177004](#) [636-1427](#) [638009-1](#) [641938-9](#) [641991-4](#) [644168-1](#) [644827-2](#) [647662-1](#) [65039-019ELF](#) [65692-001LF](#) [65781-018](#)