

THIS DRAWING IS UNPUBLISHED.

RELEASED FOR PUBLICATION

20

© COPYRIGHT 20

TE

ALL RIGHTS RESERVED.

LOC  
AP

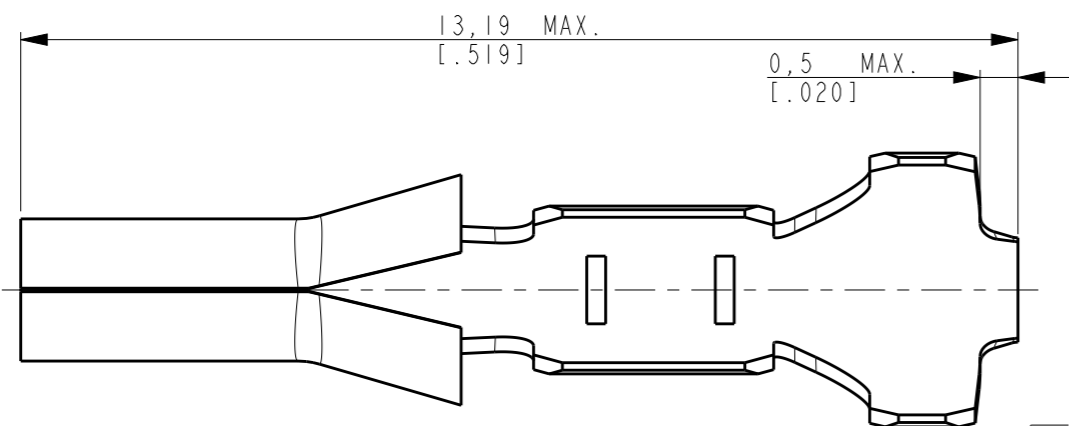
DIST  
-

REVISIONS

P	LTR	DESCRIPTION	DATE	DWN	APVD
	L	REV. BY ECO-11-020077	18OCT2011	HC	WLS
	LI	REV. BY ECO 13-016867	30OCT2013	HC	WLS

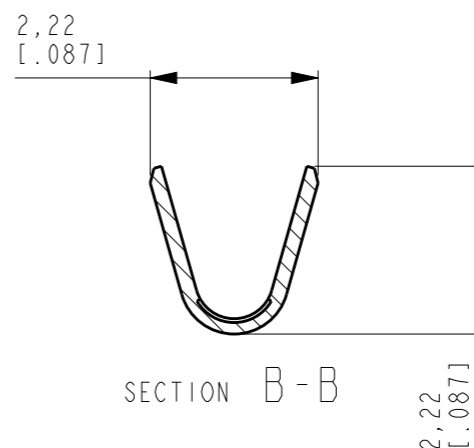
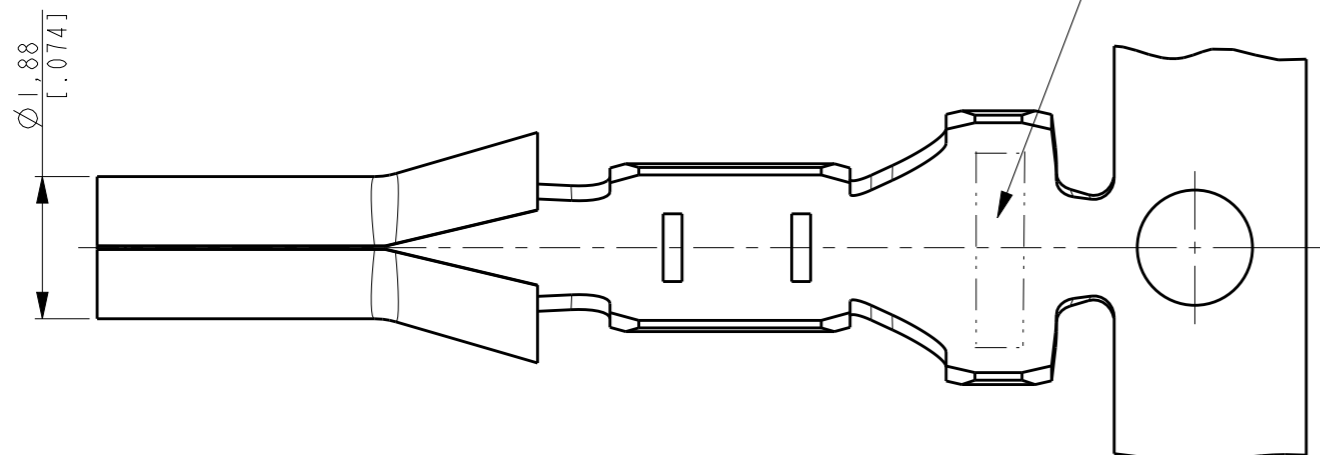
NOTES:

⚠ WIRE RANGE #22 TO #18 AWG; INSULATION RANGE 1,5 mm TO 2,8 mm [.060 TO .100 INCH]

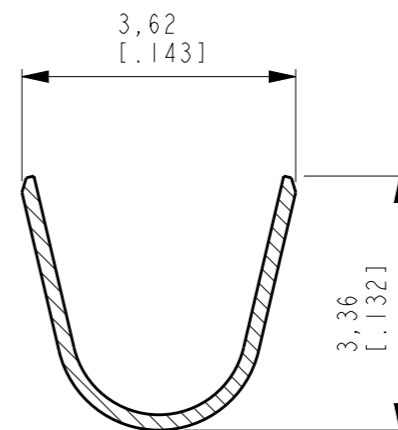


AFTER CUTOFF

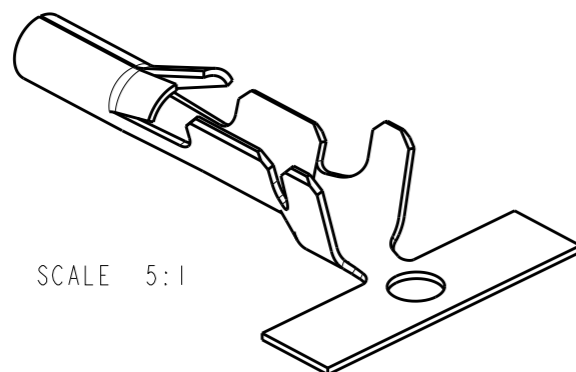
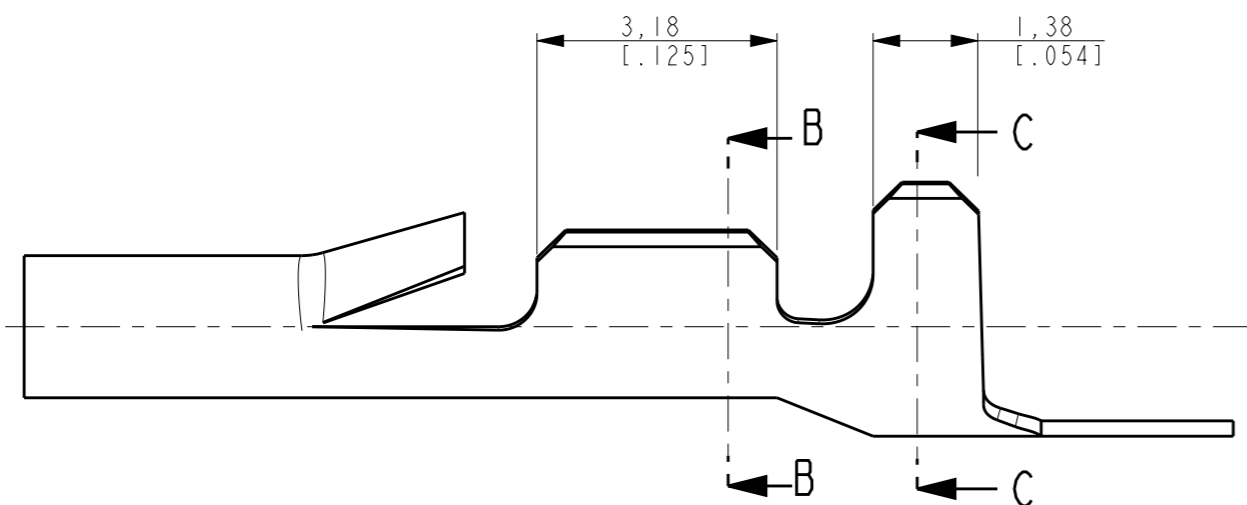
LOGO



SECTION B-B



SECTION C-C



SCALE 5:1

FINISH	MATERIAL	DESCRIPTION	PARTNUMBER
POST-TIN OVER NICKEL	BRASS	LOOSE PIECE	61123-1
PRE-TIN	BRASS	STRIP PRODUCT	61064-3
PRE-TIN OVER NICKEL	BRASS	STRIP PRODUCT	61064-1

THIS DRAWING IS A CONTROLLED DOCUMENT.

DWN H.C.CANTERI | INOV2009

CHK W.L.STEFANI | INOV2009

APVD -

PRODUCT SPEC

108-1002

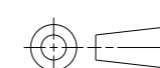
APPLICATION SPEC

WEIGHT -

Customer Drawing

DIMENSIONS:  
mm [inch]

TOLERANCES UNLESS OTHERWISE SPECIFIED:



- 0 PLC ±-
- 1 PLC ±-
- 2 PLC ±0,31 (.012)
- 3 PLC ±-
- 4 PLC ±-
- ANGLES ±2°
- FINISH SEE TABLE

MATERIAL SEE TABLE

FINISH SEE TABLE



.060 COMBOLINE SOCKET

SIZE CAGE CODE DRAWING NO RESTRICTED TO

A3 00779 C-61064

SCALE 10/1 SHEET 1 OF 1 REV LI

## X-ON Electronics

Largest Supplier of Electrical and Electronic Components

*Click to view similar products for [Pin & Socket Connectors](#) category:*

*Click to view products by [TE Connectivity](#) manufacturer:*

Other Similar products are found below :

[6450822-1](#) [770392-1](#) [794042-1](#) [796885-1](#) [8-794535-1](#) [PLR3455ACS-222](#) [R929991004](#) [R929993003](#) [1403611-1](#) [1-480349-5](#) [152302-5](#)  
[153211-2](#) [1586092-1](#) [1586129-1](#) [1586681-4](#) [1586700-1](#) [1586368-1](#) [1586380-1](#) [1586616-1](#) [1586680-5](#) [16-06-0038](#) [164164-5](#) [1-6609930-1](#)  
[172296-1](#) [19-09-2035](#) [200503-1](#) [200788-2](#) [2029090-4](#) [2029095-4](#) [925061-7](#) [293734-4](#) [293737-2](#) [1-765362-4](#) [1871534-1](#) [200833-4](#)  
[2008625-2](#) [2029027-2](#) [2029096-4](#) [R929991000](#) [R929991002](#) [R929993000](#) [319-10-101-00-005000](#) [319-10-102-00-001000](#) [319-10-104-00-001000](#) [319-10-105-00-001000](#) [319-10-108-00-001000](#) [319-10-112-00-006000](#) [39-01-8019](#) [319-10-101-00-001000](#) [319-10-102-00-005000](#)