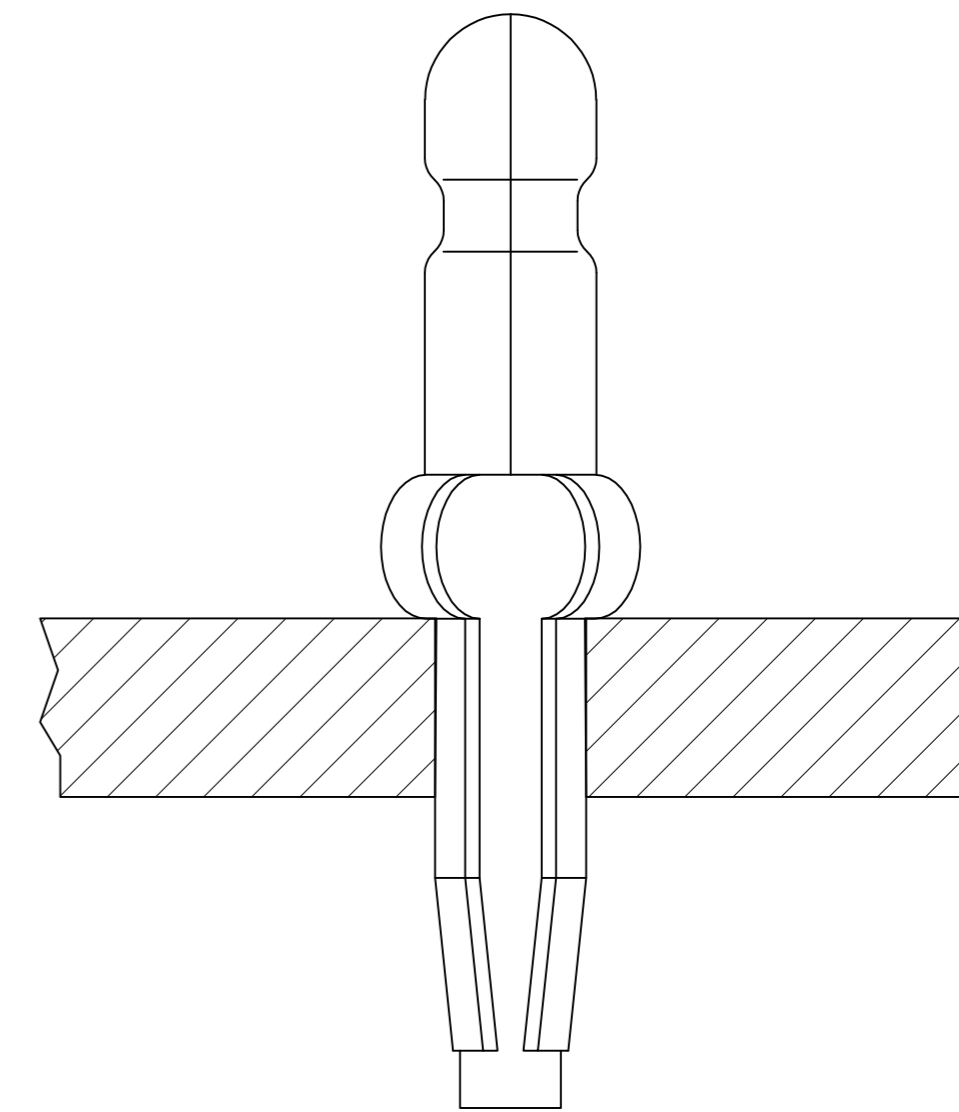
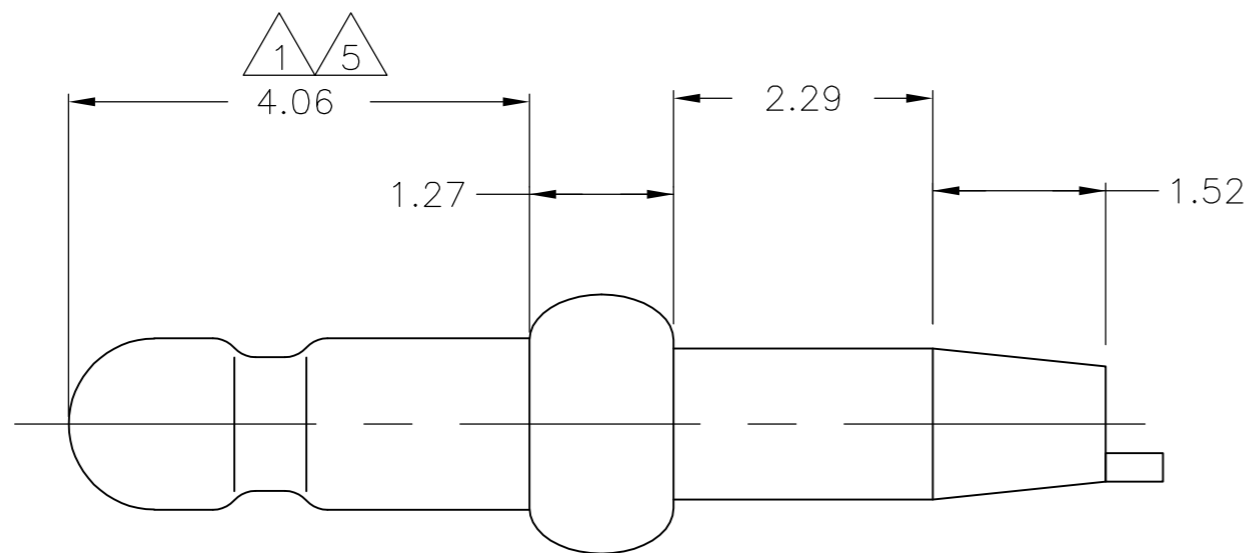
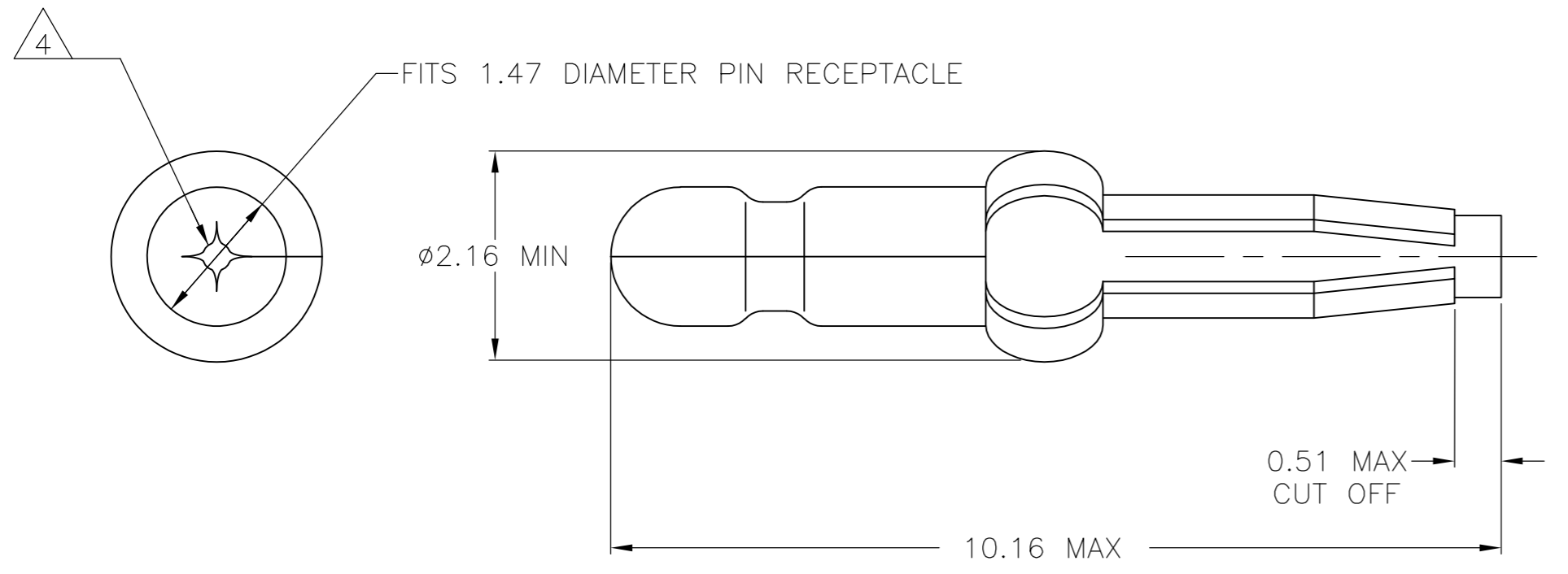


THIS DRAWING IS UNPUBLISHED. RELEASED FOR PUBLICATION
 © COPYRIGHT - By - ALL RIGHTS RESERVED.

LOC		DIST		REVISIONS			
P	LTR	DESCRIPTION		DATE	DWN	APVD	
CM	0	N2		REVISED PER ECR-15-015654	27JAN2016	BW	CJ



- 1 0.00076 MIN GOLD PLATING IN THIS AREA WITH 0.00381 MIN MATTE TIN LEAD ON THE REMAINDER, BOTH OVER 0.00127 MIN NICKEL UNDERPLATE.
- 2 FITS 1.17 - 1.27 DIAMETER HOLE IN A 1.57 OR 2.39 PRINTED CIRCUIT BOARD.
- 3 PARTS TO COMPLY WITH AMP SOLDERABILITY SPECIFICATION 109-11-3.
- 4 0.05-0.25 DIAMETER OPENING REQUIRED IN TIP OF PIN.
- 5 0.00076 MIN GOLD PLATING IN THIS AREA WITH 0.00381 MIN MATTE TIN ON THE REMAINDER, BOTH OVER 0.00127 MIN NICKEL UNDERPLATE.

5	3-61067-1
1	61067-1
FINISH	PART NUMBER

0.13	.005	1.27	.050	2.29	.090	-	-
0.05	.002	1.17	.046	2.16	.085	-	-
0.00381	.000150	1.02	.040	1.57	.062	10.16	.400
0.00127	.000050	0.51	.020	1.52	.060	4.06	.160
0.00076	.000030	0.25	.010	1.47	.058	2.39	.094
MM	IN	MM	IN	MM	IN	MM	IN

CONVERSION TABLE

THIS DRAWING IS A CONTROLLED DOCUMENT.		DWN	T. BECK	8-22-97	 TE Connectivity	
DIMENSIONS:		CHK	R. SWING	8-22-97		
mm		APVD	A. BEDDICK	9-10-97		
TOLERANCES UNLESS OTHERWISE SPECIFIED:		PRODUCT SPEC	108-1025			
0 PLC ± -		APPLICATION SPEC	114-1008		NAME	PIN, .058 DIAMETER, PHOSPHOR BRONZE, PRESS FIT, LOOSE PIECE, P.C. CONTACT
1 PLC ± -		MATERIAL	0.25 PH BRZ		SIZE	A2
2 PLC ± 0.13		FINISH	SEE TABLE		CAGE CODE	00779
3 PLC ± -					DRAWING NO	C-61067
4 PLC ± -					RESTRICTED TO	-
ANGLES ± -					SCALE	15:1
FINISH					SHEET	1 of 1
SEE TABLE					REV	N2
		CUSTOMER DRAWING				

X-ON Electronics

Largest Supplier of Electrical and Electronic Components

Click to view similar products for [Terminals](#) category:

Click to view products by [TE Connectivity](#) manufacturer:

Other Similar products are found below :

[HT-13-10](#) [71M-250-32-NB](#) [01-2065-1-0216](#) [00581P0075](#) [M10-10RX](#) [M10BCK](#) [60205-1](#) [604200-1](#) [60598-1-CUT-TAPE](#) [60617-1-C](#) [60873-1](#) [M14-516R/SK](#) [M14-6RSX](#) [M18-8FBX](#) [M18-8R/LX](#) [M18BCK](#) [61314-6-C](#) [61-S](#) [61-SN-A](#) [62-NBM-A](#) [63-S](#) [640179-1](#) [640917-2-CUT-TAPE](#) [6501550002](#) [66107-2-C](#) [696683-1](#) [696834-1](#) [696861-1](#) [696931-1](#) [696999-1](#) [M8-516RK](#) [M86700006](#) [MA250DMFMX-A](#) [701-2007](#) [701-2307](#) [701-7761-03](#) [70F-110-32-PB](#) [718-N-A](#) [71M-187-20-NBL](#) [71M-250-32-NBL](#) [72F-187-20-NBL](#) [72M-250-32-NBL](#) [7310](#) [73F-250-32](#) [73F-250-32-NL](#) [F14-10C](#) [F-1M](#) [751-250](#) [76650-5002](#) [76828-149](#)