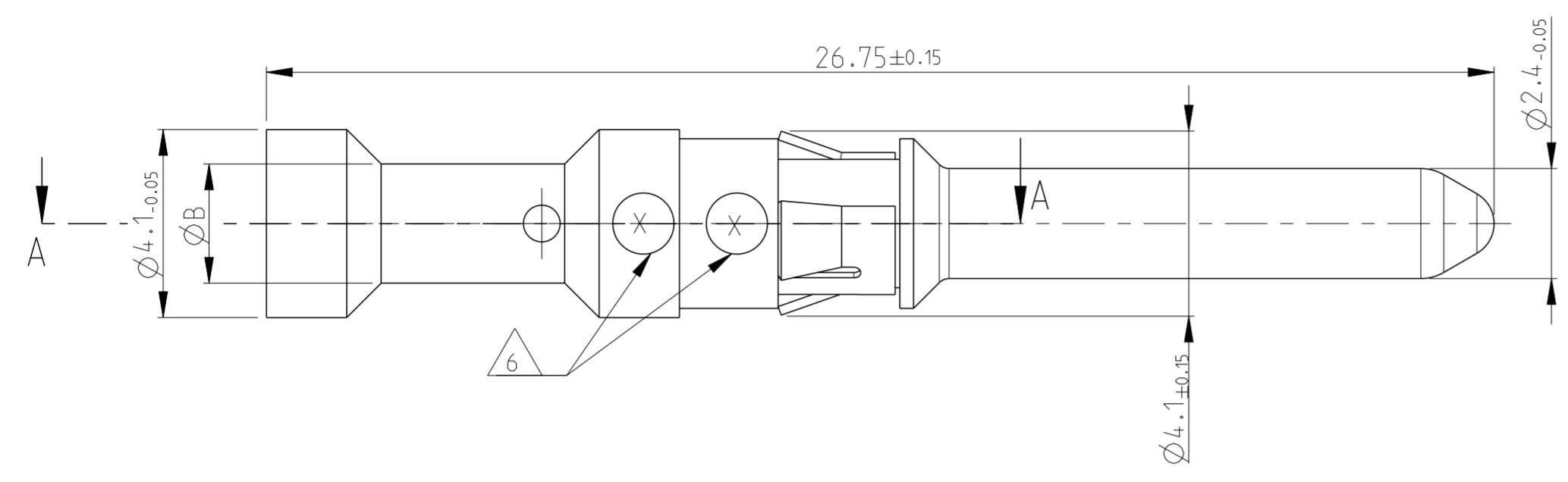
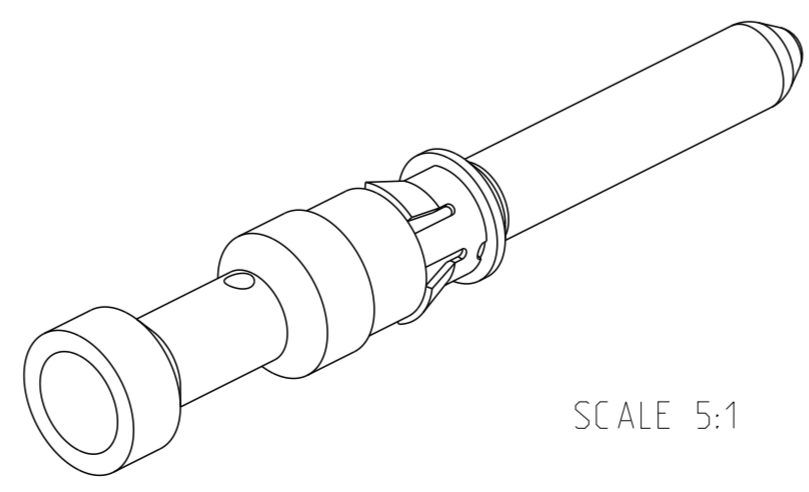
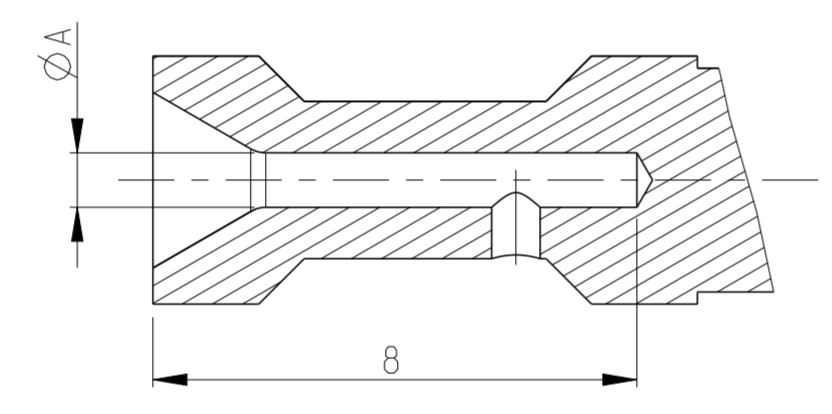


THIS DRAWING IS UNPUBLISHED. RELEASED FOR PUBLICATION 2006
 © COPYRIGHT 2006 BY - ALL RIGHTS RESERVED.

LOC		DIST		REVISIONS			
P	LTR	DESCRIPTION	DATE	DWN	APVD		
A1	-	H2	REVISED PER ECO-11-005030	24MAR2011	RK	HMR	
		H3	ECR-16-016696	14SEP2017	GA	MKO	



SECTION A-A



NOTES:

- 1 MATERIAL SEE TABLE
- 2 SURFACE SEE TABLE
- 3 ASSEMBLY WEIGHT SEE TABLE
- 4 PACKAGING: 50 PIECES IN POLYBAG
- 5 PACKAGING: 500 PIECES IN POLYBAG & CARTON
- 6 CROSS-SECTION MARKING
- 7 NO VENTILATION HOLE REQUIRED AT CROSS SECTION >4 mm²
- 8 SUITABLE SOCKET CONTACT: PN 1105301
- 9 SUITABLE INSERTS: SERIES HVT
- 10 SUITABLE CRIMP TOOL: PN 1-1105851-8
- 11 SUITABLE INSERTION TOOL: PN 0-1102855-6
- 12 SUITABLE EXTRACTION TOOL: PN 0-1102855-3
- 13 STANDARDS: DIN EN 61984, DIN EN 60664-1
- 14 OBSOLETE

														ASSEMBLY WEIGHT IN (Kg) 3																				
0.00142	0.00144	0.00148	0.00145	0.00149	0.00150	0.00144	0.00148	0.00133	0.00142	0.00144	0.00148	0.00145	0.00149	0.00150																				
1	1	1	1	1	1	1	1	1	1	1	1	1	1	1																				
															Pin Contact 4.0 mm ²	CuZn39Pb3 F43	GOLD PLATING	2.85	3.9	6	1													
															Pin Contact 2.5 mm ²			2.2	3.2	5														
															Pin Contact 1.5 mm ²			1.8	3.0	4														
															Pin Contact 0.75-1.0 mm ²			1.45	2.6	3														
															Pin Contact 0.5 mm ²			1.1	2.6	2														
															Pin Contact 0.13-0.4 mm ²			0.9	2.6	1														
															Pin Contact 14 AWG		2.0	3.2	8															
															Pin Contact 12 AWG		2.55	3.6	9															
															Pin Contact 10 AWG		3.2	4.1	7															
															Pin Contact 4.0 mm ²		2.85	3.9	6															
															Pin Contact 2.5 mm ²		2.2	3.2	5															
															Pin Contact 1.5 mm ²		1.8	3.0	4															
															Pin Contact 0.75-1.0 mm ²		1.45	2.6	3															
															Pin Contact 0.5 mm ²		1.1	2.6	2															
															Pin Contact 0.13-0.4 mm ²	0.9	2.6	1																
5-2	4-2	3-2	2-2	1-2	6-2	14 0-2	9-1	7-2	5-1	4-1	3-1	2-1	1-1	6-1	DESCRIPTION		MATERIAL	SURFACE	ØA	ØB	CROSS SECTION MARKING	ITEM NO												
5-9	4-9	3-9	2-9	1-9	6-9	8-8	9-8	7-8	5-8	4-8	3-8	2-8	1-8	6-8	ORDERING TEXT		1	2			6													
HVT-C-Stri.Au.4.0 mm ²																																		
HVT-C-Stri.Au.2.5 mm ²																																		
HVT-C-Stri.Au.1.5 mm ²																																		
HVT-C-Stri.Au.0.75-1.0 mm ²																																		
HVT-C-Stri.Au.0.5 mm ²																																		
HVT-C-Stri.Au.0.13-0.4 mm ²																																		
HVT-C-Stri.Ag-AWG.14																																		
HVT-C-Stri.Ag-AWG.12																																		
HVT-C-Stri.Ag-AWG.10																																		
HVT-C-Stri.Ag.4.0 mm ²																																		
HVT-C-Stri.Ag.2.5 mm ²																																		
HVT-C-Stri.Ag.1.5 mm ²																																		
HVT-C-Stri.Ag.0.75-1.0 mm ²																																		
HVT-C-Stri.Ag.0.5 mm ²																																		
HVT-C-Stri.Ag.0.13-0.4 mm ²																																		

THIS DRAWING IS A CONTROLLED DOCUMENT.

DIMENSIONS: mm

TOLERANCES UNLESS OTHERWISE SPECIFIED:
 0 PLC
 1 PLC
 2 PLC
 3 PLC
 4 PLC
 ANGLES
 FINISH

OTHERWISE SPECIFIED:
 ISO 9013
 DIN 9137
 DIN 9138
 DIN 9139
 DIN 9140
 DIN 9141
 DIN 9142
 DIN 9143
 DIN 9144
 DIN 9145
 DIN 9146
 DIN 9147
 DIN 9148
 DIN 9149
 DIN 9150

APVD: T. SCHNURPFELT
 PRODUCT SPEC: 108-74035
 APPLICATION SPEC: 114-74013

DWN: G. WROBLEWSKI
 CHK: T. SCHNURPFELT
 NAME: CLIP

STE TE Connectivity

SIZE: A2
 CAGE CODE: 00779
 DRAWING NO: C-1105300
 RESTRICTED TO: -

CUSTOMER DRAWING SCALE: 5:1 SHEET 1 OF 1 REV: H3

X-ON Electronics

Largest Supplier of Electrical and Electronic Components

Click to view similar products for [Heavy Duty Power Connectors](#) category:

Click to view products by [TE Connectivity](#) manufacturer:

Other Similar products are found below :

[1424439](#) [1424438](#) [09330062652](#) [605601-1](#) [6340G1](#) [6341G1](#) [6360G1](#) [6373G1](#) [6374g2](#) [6396G1](#) [647757-1](#) [6643411-1](#) [6646058-2](#) [6646137-1](#)
[6646138-1](#) [6646348-1](#) [6646479-1](#) [6646608-1](#) [6646786-1](#) [6646940-1](#) [6651525-1](#) [6651529-1](#) [6651778-1](#) [6651788-1](#) [696465-1](#) [696475-1](#)
[73000005059](#) [73000005349](#) [73000005642](#) [73080965046](#) [765-15-0080A](#) [765-16-0080B](#) [789.700-44](#) [789.700-54](#) [80-1010](#) [80-9](#) [827381-1](#)
[829992-1](#) [902-77-02113](#) [PL00U-301-10D10](#) [PM103MOOLOO](#) [PM212MOOLOO](#) [PM309FOOLOO](#) [PM324FOOLCH](#) [PMHPAF11S03](#)
[PMHPAF14S01](#) [PMHPAM14P05](#) [PMHPAS06](#) [PMHPBF14S01](#) [PP45PC12S](#)