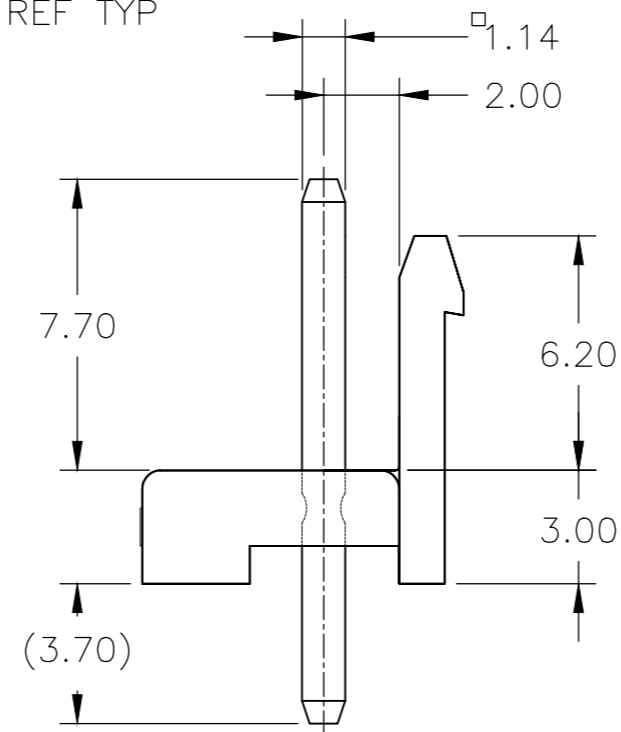
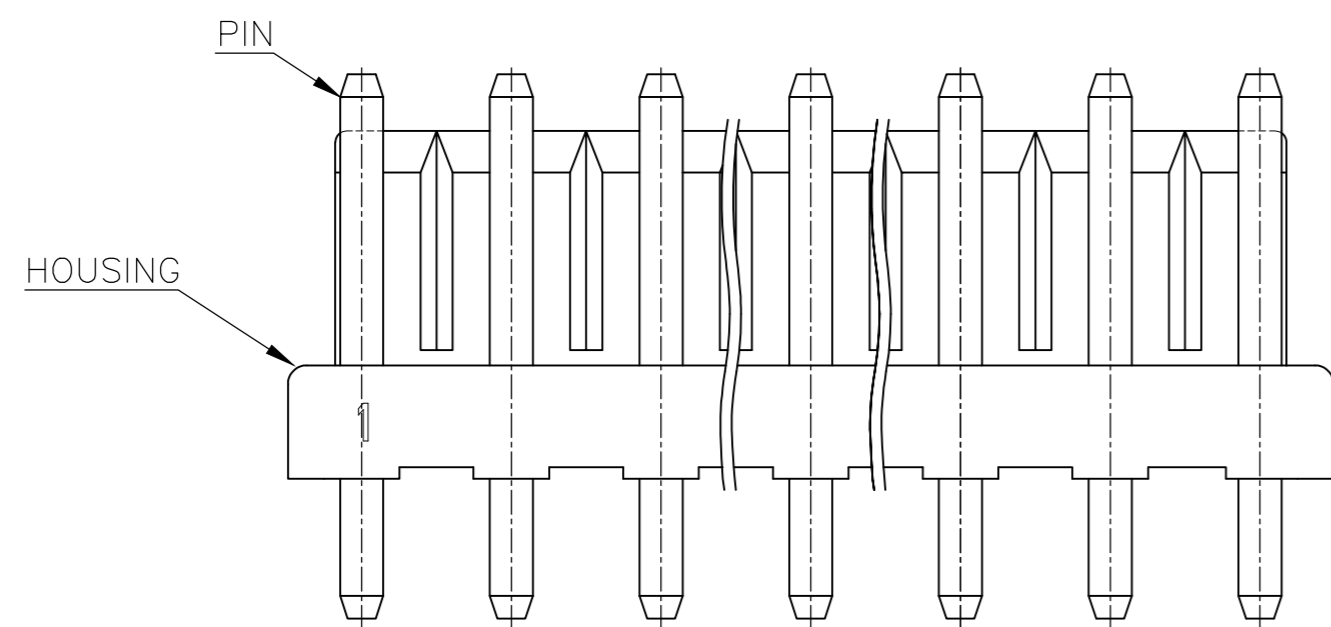


THIS DRAWING IS UNPUBLISHED. RELEASED FOR PUBLICATION  
 © COPYRIGHT - By - ALL RIGHTS RESERVED.

REVISIONS					
P	LTR	DESCRIPTION	DATE	DWN	APVD
AA4		REVISED PER ECR-18-005503	30MAY2018	BDA	SG



$\phi 1.60^{+0.1}_{-0.0}$  (PUNCHED HOLE)  
 $\phi 1.65^{+0.1}_{-0.0}$  (DRILLED HOLE)

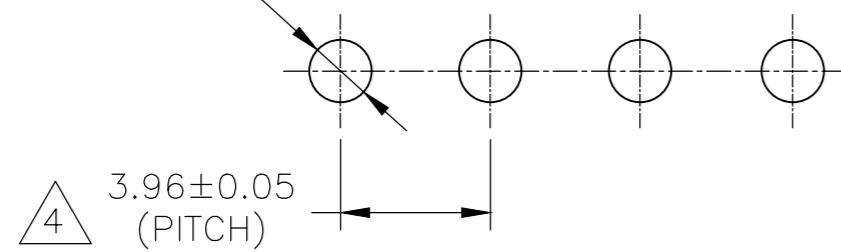


FIG.1

- 1 MATING CONN P/N: □-1123722-□
- 2 APPLICABLE P.C.B LAYOUT: SEE FIG. 1
- 3 APPLICABLE P.C.B THICKNESS: 1.60
- 4 SKETCHES SHOW NO PINS MISSING.
- 6 PIN: POST TIN OVER BRASS
- 7 HOUSING: PBT, 30% GLASS, UL94-V0.
- 8 ○ : WITH PIN,  
X : WITHOUT PIN.
- 10 SUPERSEDED BY 1744489-2.
- 11 SUPERSEDED BY 1744489-4.
- 12 SUPERSEDED BY 1744489-5.
- 13 SUPERSEDED BY 1744489-6.
- 14 SUPERSEDED BY 1744489-7.
- 15 SUPERSEDED BY 1744489-8.
- 16 SUPERSEDED BY 1744489-9.
- 17 SUPERSEDED BY 1-1744489-0.
- 18 SUPERSEDED BY 1-1744489-1.
- 19 VALUES FOR UL 61800-5-1

Flam	RTIe deg C	HWI	HAI	CTI
V0	130	PLC 2	PLC 4	PLC 2_UL746


THIS DRAWING IS A CONTROLLED DOCUMENT.		DWN N.YAMASAKI 13MAR'01	TE Connectivity	
DIMENSIONS: mm		CHK M.SHINDO 13MAR'01		
TOLERANCES UNLESS OTHERWISE SPECIFIED:		APVD Y.KASHIWA 13MAR'01	NAME 3.96MM PITCH ECONOMY POWER(EP) CONN HEADER ASSY	
0 PLC ± 1 PLC ± 0.50 2 PLC ± 0.30 3 PLC ± 4 PLC ±		PRODUCT SPEC 108-5609	SIZE A2	
MATERIAL SEE TABLE		FINISH SEE TABLE	CAGE CODE 00779	DRAWING NO C=1123723
		WEIGHT	SCALE 5:1	SHEET 1 OF 2
		CUSTOMER DRAWING	REV AA4	RESTRICTED TO -

THIS DRAWING IS UNPUBLISHED.  
RELEASED FOR PUBLICATION  
COPYRIGHT - By - ALL RIGHTS RESERVED.

REVISIONS					
P	LTR	DESCRIPTION	DATE	DWN	APVD
-	-	SEE SHEET 1	-	-	-

PIN POSITION	ASS'Y P/N	POS	COLOR	DIMENSION	"C"	"B"REF	"A"REF
1	8-1123723-1	11	NATURAL	39.60	41.00	43.50	
2	6-1123723-1		GREEN				
3	5-1123723-1		BLACK				
4	4-1123723-1		RED				
5	3-1123723-1		BLUE				
6	2-1123723-1		YELLOW				
7	1-1123723-1		NATURAL				
8	7-1123723-0	10	NATURAL	35.64	37.04	39.54	
9	6-1123723-0		GREEN				
10	5-1123723-0		BLACK				
11	4-1123723-0		RED				
1	3-1123723-0		BLUE				
2	2-1123723-0		YELLOW				
3	1-1123723-0		NATURAL				
4	7-1123723-9	9	NATURAL	31.68	33.08	35.58	
5	6-1123723-9		GREEN				
6	5-1123723-9		BLACK				
7	4-1123723-9		RED				
8	3-1123723-9		BLUE				
9	2-1123723-9		YELLOW				
10	1-1123723-9		NATURAL				

PIN POSITION	ASS'Y P/N	POS	COLOR	DIMENSION	"C"	"B"REF	"A"REF
1	7-1123723-8	8	NATURAL	27.72	29.12	31.62	
2	6-1123723-8		GREEN				
3	5-1123723-8		BLACK				
4	4-1123723-8		RED				
5	3-1123723-8		BLUE				
6	2-1123723-8		YELLOW				
7	1-1123723-8		NATURAL				
8	7-1123723-7	7	NATURAL	23.76	25.16	27.66	
9	6-1123723-7		GREEN				
10	5-1123723-7		BLACK				
11	4-1123723-7		RED				
1	3-1123723-7		BLUE				
2	2-1123723-7		YELLOW				
3	1-1123723-7		NATURAL				
4	7-1123723-6	6	NATURAL	19.80	21.20	23.70	
5	6-1123723-6		GREEN				
6	5-1123723-6		BLACK				
7	4-1123723-6		RED				
8	3-1123723-6		BLUE				
9	2-1123723-6		YELLOW				
10	1-1123723-6		NATURAL				
11	7-1123723-5	5	NATURAL	15.84	17.24	19.74	
1	6-1123723-5		GREEN				
2	5-1123723-5		BLACK				
3	4-1123723-5		RED				
4	3-1123723-5		BLUE				
5	2-1123723-5		YELLOW				
6	1-1123723-5		NATURAL				
7	7-1123723-4	4	NATURAL	11.88	13.28	15.78	
8	6-1123723-4		GREEN				
9	5-1123723-4		BLACK				
10	4-1123723-4		RED				
1	3-1123723-4		BLUE				
2	2-1123723-4		YELLOW				
3	1-1123723-4		NATURAL				
4	7-1123723-3	3	NATURAL	7.92	9.32	11.82	
5	6-1123723-3		GREEN				
6	5-1123723-3		BLACK				
7	4-1123723-3		RED				
8	3-1123723-3		BLUE				
9	2-1123723-3		YELLOW				
10	1-1123723-3		NATURAL				
11	7-1123723-2	2	NATURAL	3.96	5.36	7.86	
1	6-1123723-2		GREEN				
2	5-1123723-2		BLACK				
3	4-1123723-2		RED				
4	3-1123723-2		BLUE				
5	2-1123723-2		YELLOW				
6	1-1123723-2		NATURAL				

THIS DRAWING IS A CONTROLLED DOCUMENT.		DWN N.YAMASAKI 13MAR'01			TE Connectivity		
DIMENSIONS: mm		CHK M.SHINDO 13MAR'01			NAME 3.96MM PITCH ECONOMY POWER(EP) CONN HEADER ASSY		
TOLERANCES UNLESS OTHERWISE SPECIFIED: 0 PLC ± 1 PLC ± 0.50 2 PLC ± 0.30 3 PLC ± 4 PLC ± ANGLES ±		APVD Y.KASHIWA 13MAR'01	PRODUCT SPEC 108-5609		RESTRICTED TO		
MATERIAL SEE TABLE		FINISH SEE TABLE		WEIGHT A2	CAGE CODE 00779	DRAWING NO. C=1123723	SCALE 5:1
CUSTOMER DRAWING				SHEET 2 OF 2		REV AA4	

## X-ON Electronics

Largest Supplier of Electrical and Electronic Components

*Click to view similar products for [Headers & Wire Housings](#) category:*

*Click to view products by [TE Connectivity](#) manufacturer:*

Other Similar products are found below :

[95000-104TRLF](#) [10135584-644402LF](#) [DF62W-EP2022PCA](#) [95000-106TRLF](#) [DF62W-2022SCA](#) [DF62W-EP2022PC](#) [2203348](#) [DF62W-2022SC](#) [1084018](#) [1029039](#) [1084017](#) [802-10-012-10-002000](#) [1112640](#) [1112639](#) [000-34000](#) [0009482033](#) [0009507031](#) [57102-S06-03LF](#) [57202-S52-04LF](#) [PCN6-15S-2.5E](#) [0039019024](#) [58102-G61-06LF](#) [582553-1](#) [0009508121](#) [0050291907](#) [018731A](#) [LY20-4P-DT1-P1E-BR](#) [02.125.8002.8](#) [60101931](#) [60598-1 \(Cut Strip\)](#) [M1625-3R/100](#) [61062-3](#) [61082-181009](#) [636-1427](#) [638009-1](#) [641938-9](#) [641991-4](#) [644168-1](#) [647662-1](#) [65039-019ELF](#) [65817-002LF](#) [65817-015LF](#) [65863-015LF](#) [66207-023LF](#) [67016-026LF](#) [67046-001LF](#) [67095-007LF](#) [68002-116](#) [68016-236H](#) [68648-049](#)