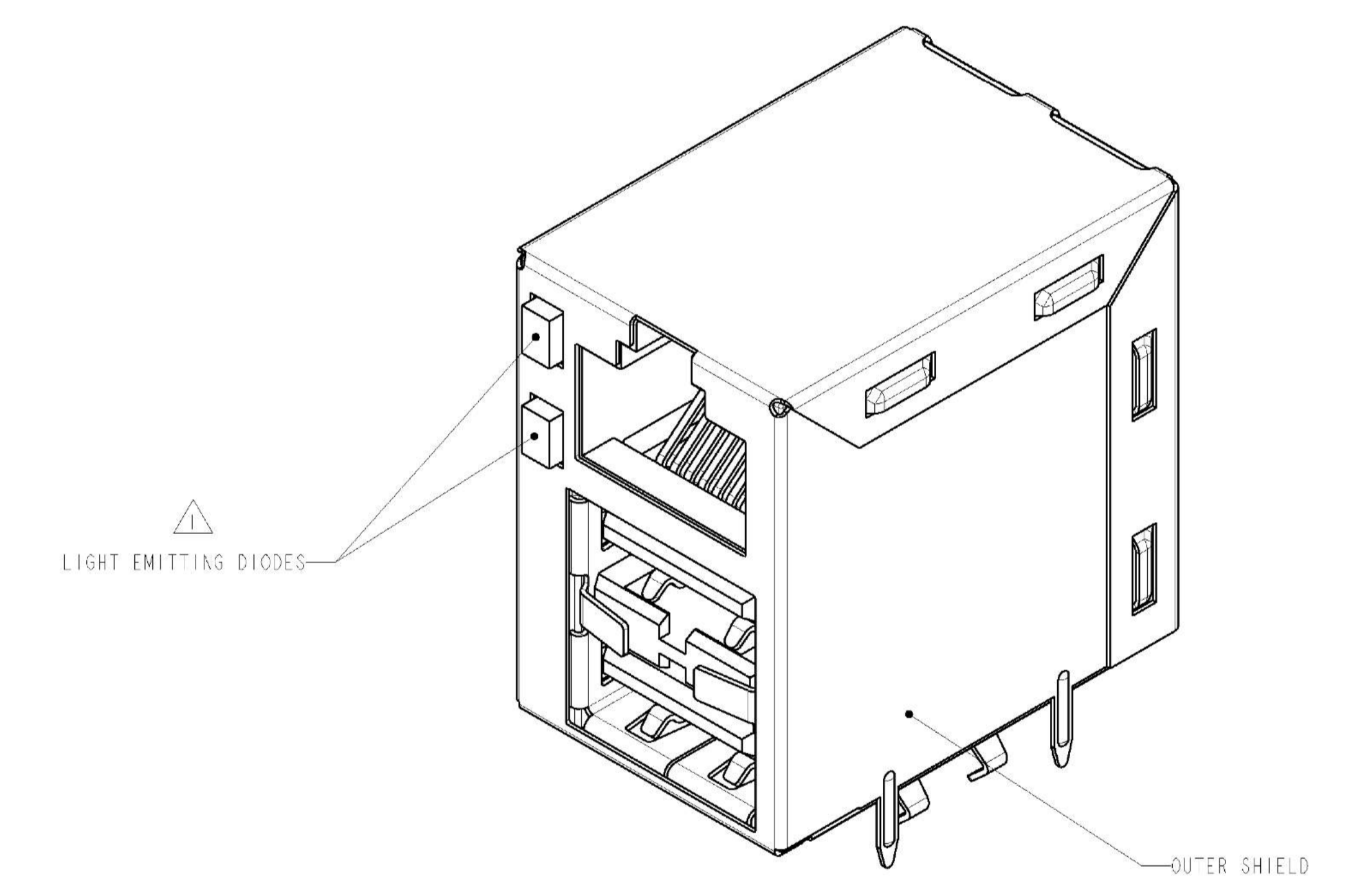
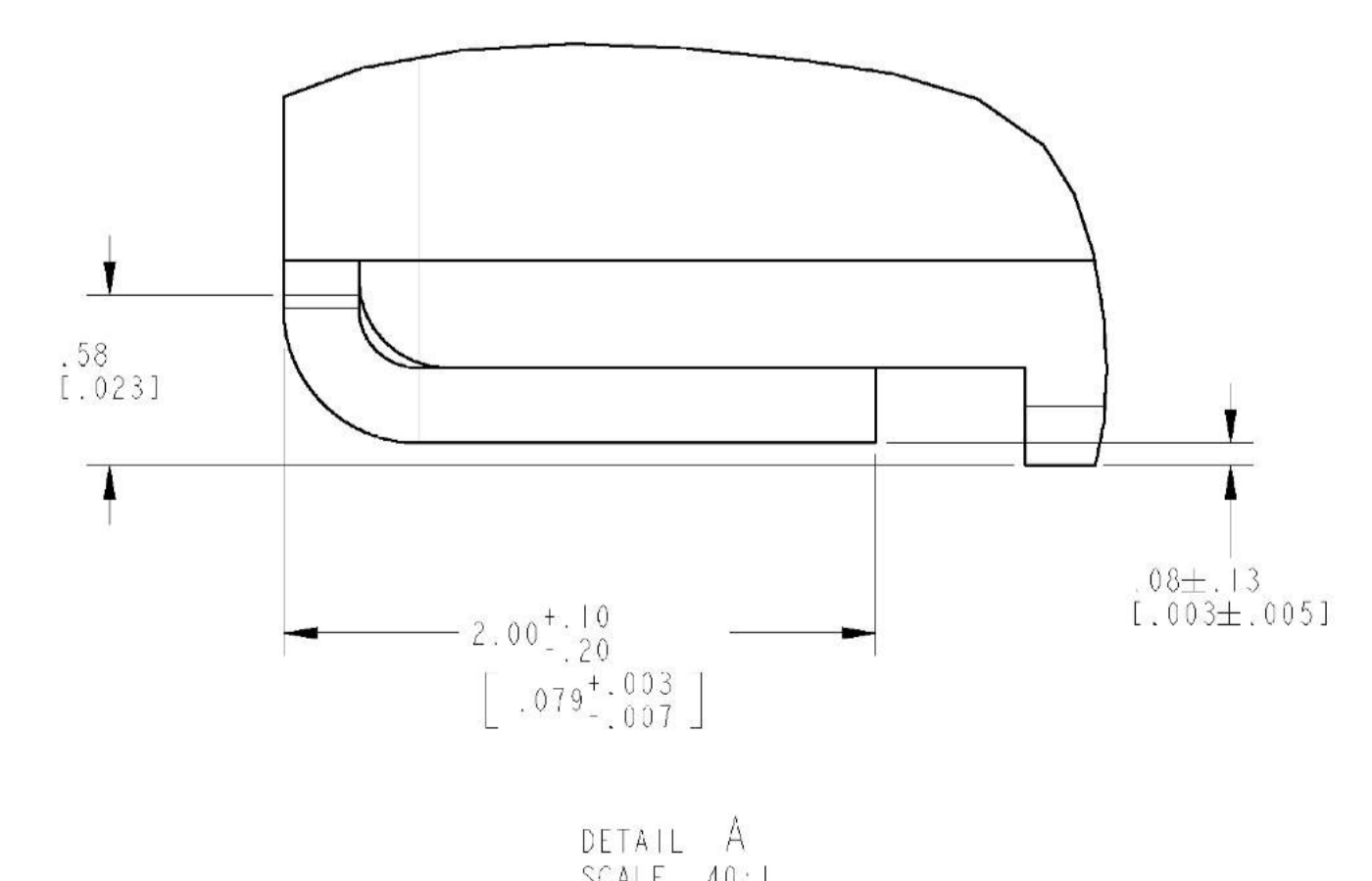
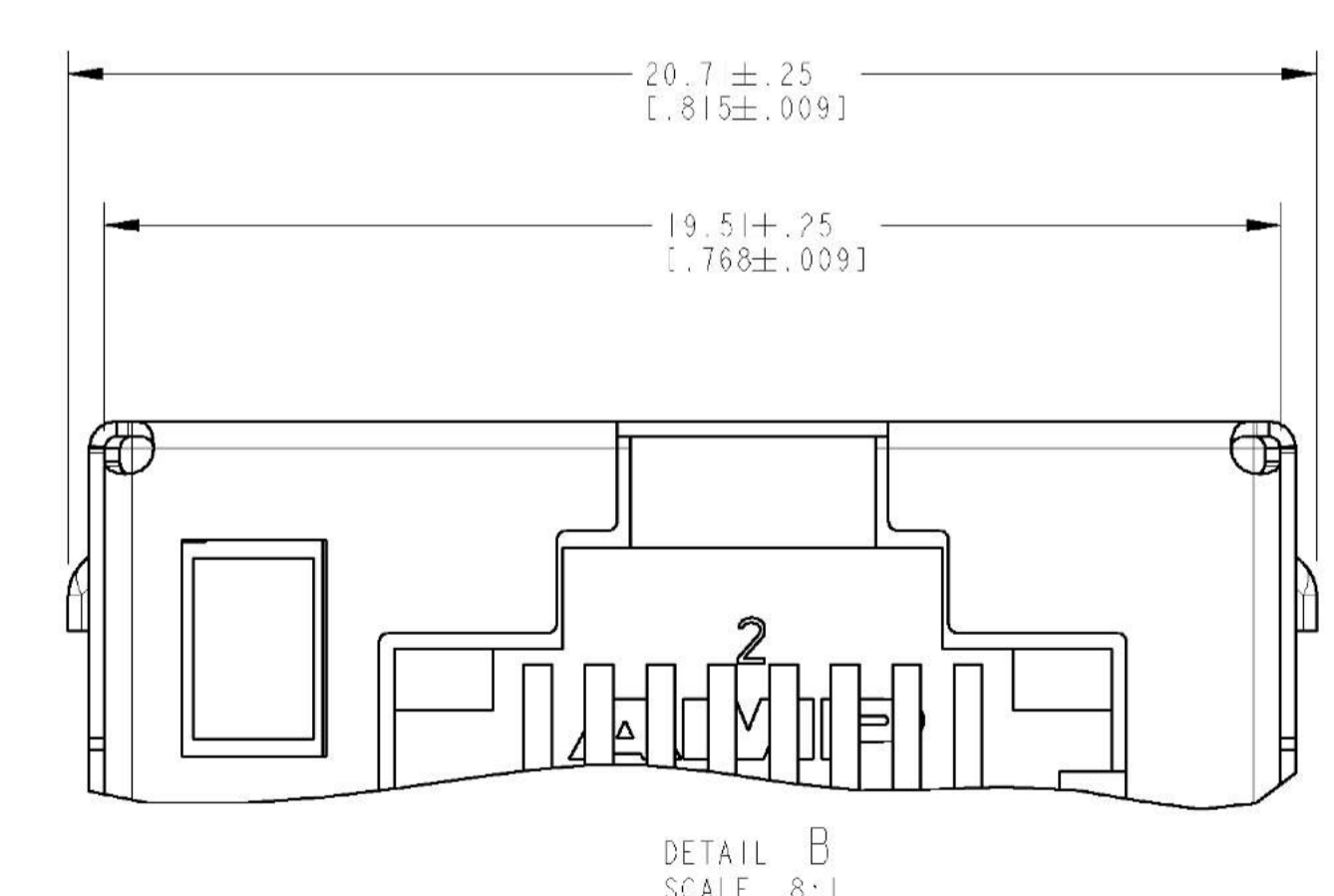
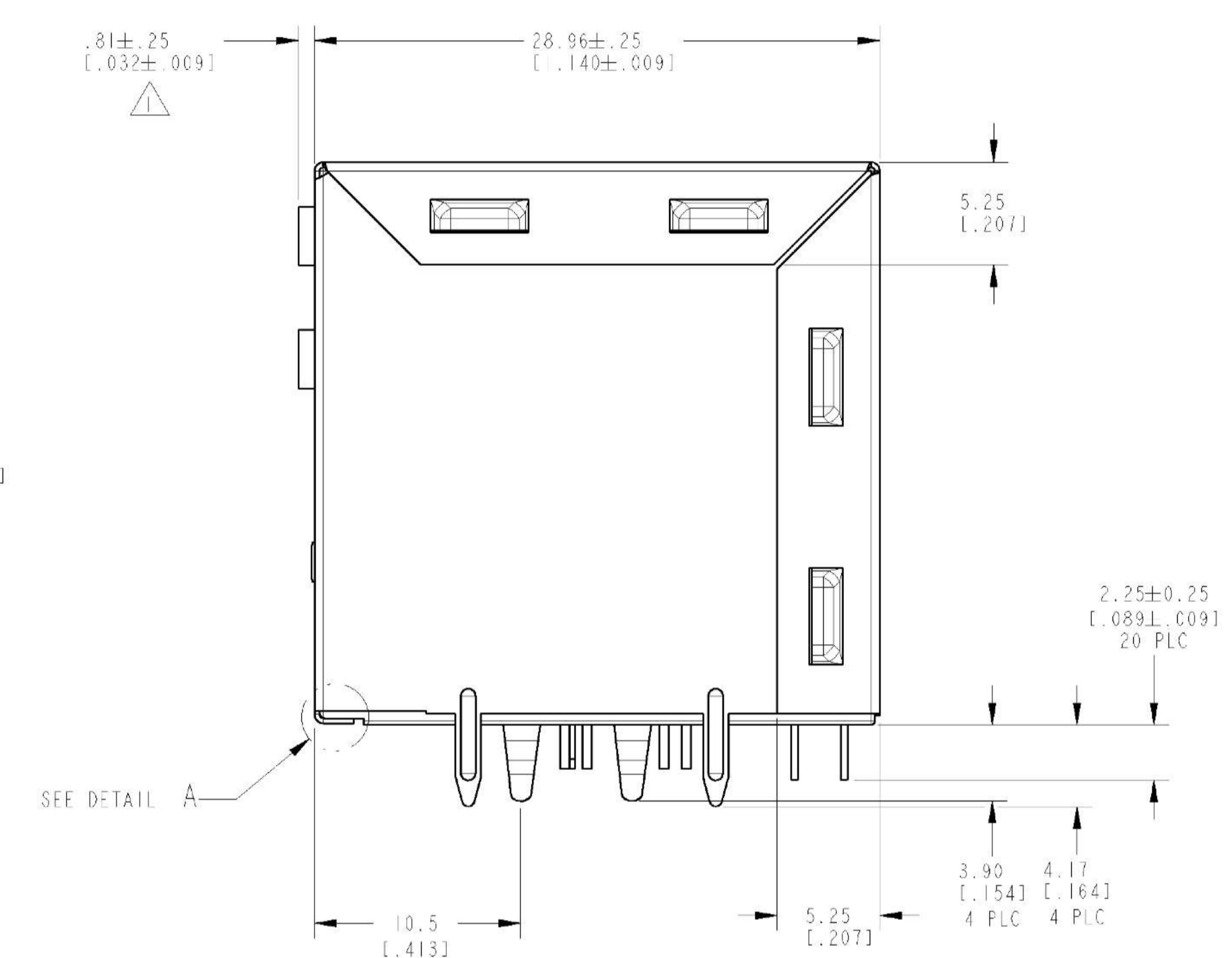
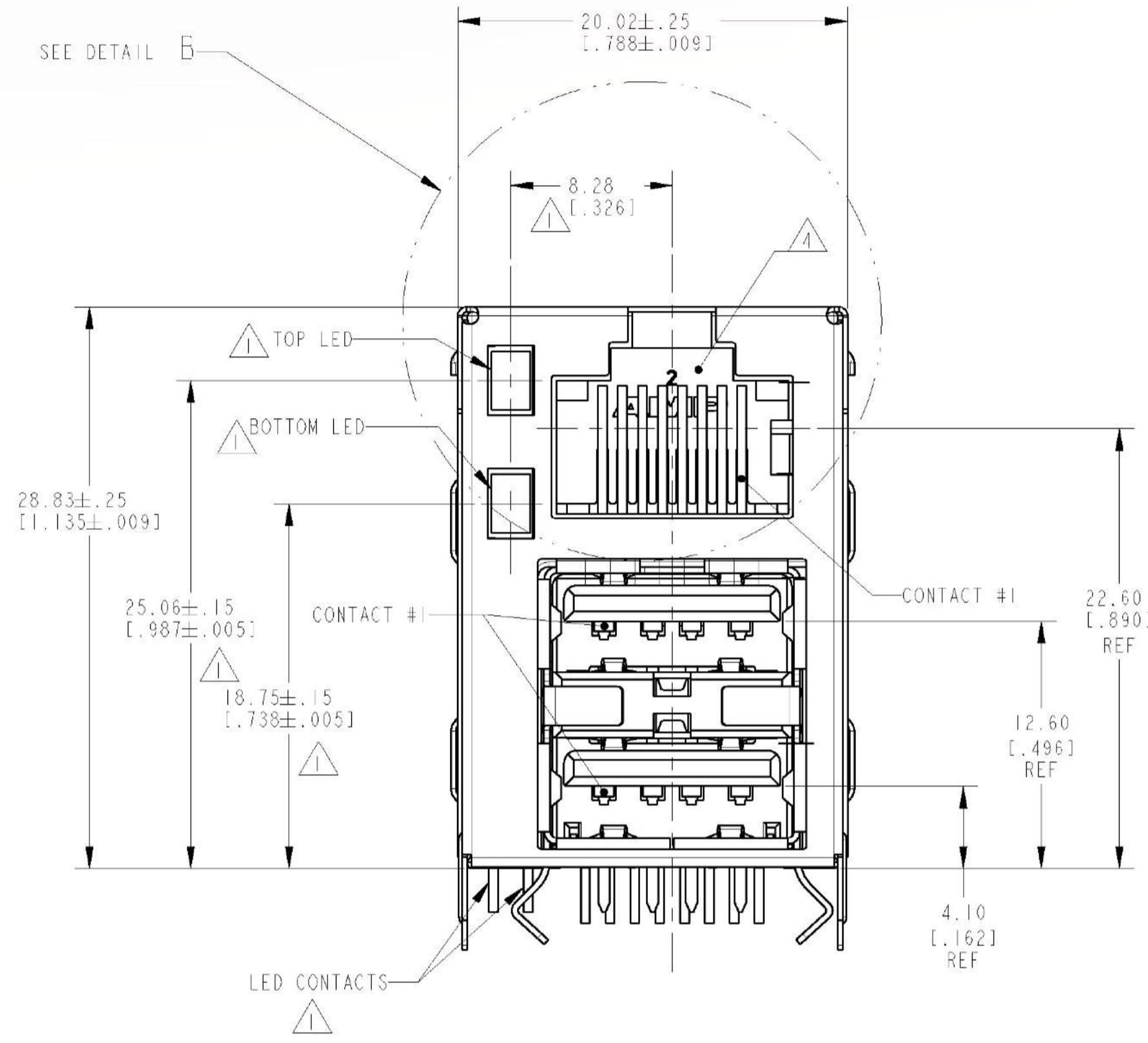


- 1 6116151-2 & 6116151-4 ONLY.
- 2 DATUM AND BASIC DIMENSION ESTABLISHED BY CUSTOMER.
- 3 RECOMMENDED PC BOARD THICKNESS OF 1.57 [.062].
- 4 RJ45 JACK CAVITY CONFORMS TO FCC RULES AND REGULATIONS, PART 68 SUBPART F.
- 5 MATERIAL:

HOUSING: PLASTIC HOUSINGS: UL94V-0/5V THERMOPLASTIC, SEE TABLE FOR COLOR.
 TERMINAL: USB: 0.251±0.03 THICK PHOSPHOR BRONZE PLATED WITH 1.27µm NICKEL. IN LOCALIZED GOLD PLATE AREA 0.076µm MIN GOLD OVER 0.76µm MIN PALLADIUM-NICKEL IS ADDED OVER NICKEL UNDERPLATE. IN SOLDER AREA 3.8µm MIN TIN IS ADDED OVER NICKEL UNDERPLATE.
 RJ45: 0.318 THICK PHOSPHOR BRONZE PLATED WITH 1.27µm MIN THICK NICKEL. IN LOCALIZED GOLD PLATE AREA 1.27µm MIN THICK GOLD IS ADDED OVER NICKEL UNDERPLATE. IN SOLDER AREA 3.8µm MIN TIN IS ADDED OVER NICKEL UNDERPLATE.
 LED: 0.5 DIAMETER CARBON STEEL LEADS PREPLATED WITH 8.89 µm THICK Sn/Cu, OVER 2.03 µm THICK Ag, OVER 1.02 µm THICK Cu, OVER 3.56 µm THICK Ni, OVER 1.02 µm Cu UNDERPLATE.
 SHIELD: OUTER: 0.254 THICK COPPER-ZINC ALLOY PREPLATED WITH TIN 2µm TO 3.8µm THICK.
 INNER: 0.318 THICK COPPER-ZINC ALLOY PREPLATED WITH TIN 2µm TO 3.8µm THICK.
 USB: 0.318 THICK PHOSPHOR-BRONZE PREPLATED WITH 5.1µm MIN TIN

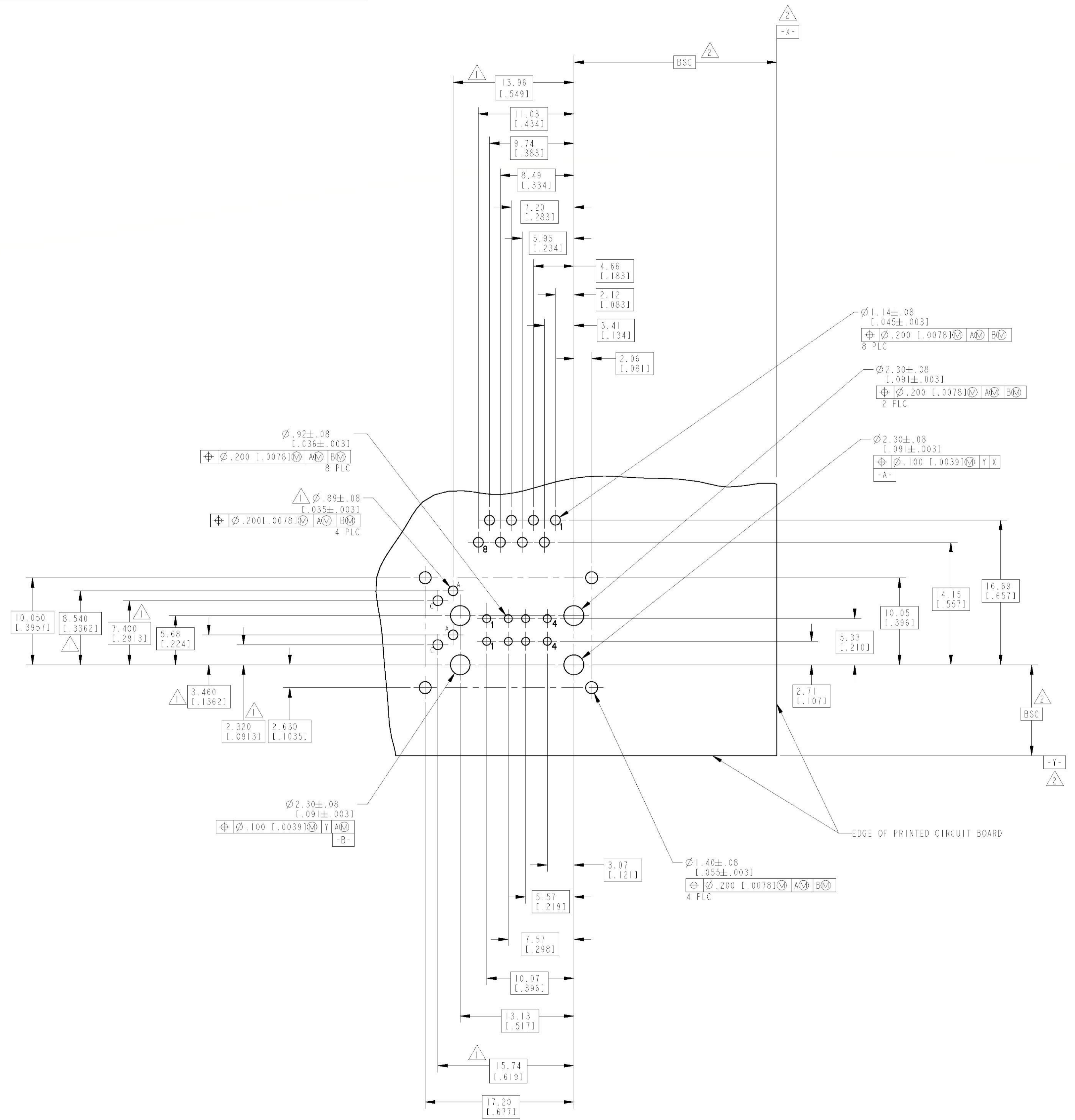
6 OBSOLETE PARTS: OBSOLETE CIS STREAMLINING PER D.RENAUD/D.SINISI



P/N 6116151-2 & 6116151-4 WITH LEDS

6 OBSOLETE	GREEN	GREEN	BLACK	6116151-4
	NO LED	NO LED	TURQUOISE	6116151-3
	YELLOW	GREEN	BLACK	6116151-2
	NO LED	NO LED	BLACK	6116151-1
	BOTTOM LED	TOP LED	HOUSING COLOR	PART NUMBER

DIMENSIONS: mm [INCHES]		TOLERANCES UNLESS OTHERWISE SPECIFIED:		DRAWN BY: HZL.A.MAYER 4APR2005		CHKD BY: WESTMAN 4APR2005		APVD BY: S. CLICKINGER 4APR2005		NAME: ASSEMBLY, RJ-45 MODULAR JACK OVER STACKED USB RECEPTACLE, WITH LEDS AND WITHOUT LEDS	
9 PLC	=	9 PLC	=	PRODUCT SPEC		SIZE	CARE CODE	DRAWING NO	RESTRICTED TO		
1 PLC	=	1 PLC	=	APPLICATION SPEC		A11	00779	C=6116151			
2 PLC	=	2 PLC	=	WEIGHT		SCALE	4:1	SHEET	1	OF	2
3 PLC	=	3 PLC	=	CUSTOMER DRAWING							
4 PLC	=	4 PLC	=								
5 PLC	=	5 PLC	=								
6 PLC	=	6 PLC	=								
7 PLC	=	7 PLC	=								
8 PLC	=	8 PLC	=								
ANGLES	=	ANGLES	=								
FINISH	=	FINISH	=								



DIMENSIONS: mm [INCHES]		TOLERANCES UNLESS OTHERWISE SPECIFIED: 9 PLC = 1 PLC = 5 PLC = ±0.13(.005) 4 PLC = 3 PLC = ANGLES = ±1° FINISH =		DWG: E. HZL.A.MAYER 4APR2005 CHK: J.WESTMAN 4APR2005 APVD: S. CLICKINGER 4APR2005	STE TE Connectivity
MATERIAL: SEE NOTE 5		SEE NOTE 5		NAME: ASSEMBLY, RJ-45 MODULAR JACK OVER STACKED USB RECEPTACLE, WITH LEDS AND WITHOUT LEDS PRODUCT SPEC: APPLICATION SPEC: WEIGHT: CUSTOMER DRAWING	SIZE: A 00779 C=6116151 SCALE: 4:1 SHEET 2 OF 2 REV

X-ON Electronics

Largest Supplier of Electrical and Electronic Components

Click to view similar products for [Modular Connectors / Ethernet Connectors](#) category:

Click to view products by [TE Connectivity](#) manufacturer:

Other Similar products are found below :

[8949-H88/06BLKA/SN](#) [74441-0010/BKN](#) [MP1010RX-1000](#) [MP44RX-1000](#) [PHJ-4P4C-1-V-4](#) [PHP-6P6C-5](#) [GAX-3-66](#) [GAX-8-62](#) [GDCX-PA-66-50](#) [GDCX-PN-64](#) [GDCX-PN-66](#) [GDCX-PN-66-50](#) [GDLX-A-66](#) [GDLX-N-66](#) [GDLX-S-66](#) [GDLX-S-88K](#) [GDLX-SMT-S-88](#) [GDTX-S-88-50](#) [GDX-PA-1010](#) [GLX-N-1010M-BLK](#) [GLX-S-88M-BLK](#) [GMX-N-1010](#) [GMX-S-1010](#) [GMX-S-66](#) [GMX-SMT4-N-88](#) [GPX-2-64](#) [GSGX-N-2-88](#) [GSGX-N-4-88](#) [GSX-NS2-88-3.05](#) [GSX-NS2-88-3.05-50](#) [GSX-NS-88-3.05-50](#) [PT-108A-8C-UL](#) [PT-J951-8C](#) [PTS-J531-8CS-50UL](#) [1-1775629-2](#) [A-2014-0-4](#) [GWLX-S-88-GR](#) [GWLX-S9-88-YG](#) [DC-1021-8-WH-6](#) [1300530003](#) [1324640-4](#) [RJ11FTVC2G](#) [RJ11FTVC2N](#) [RJFTVX2SA1G](#) [132764-001](#) [1413235](#) [MP88X-1000](#) [MPS88RX-5000](#) [E5288-S000K3-L](#) [E5908-15A242-L](#)