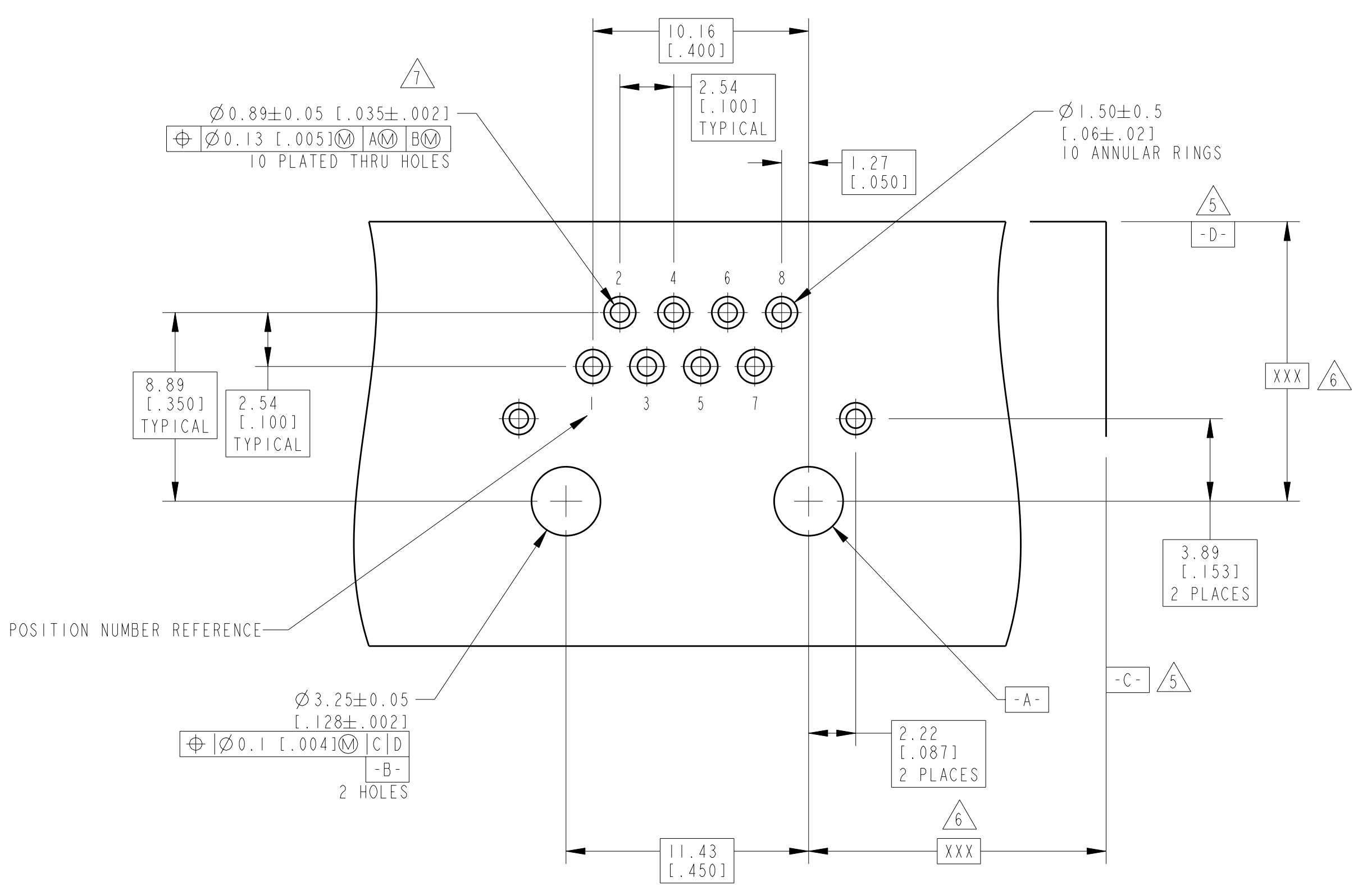
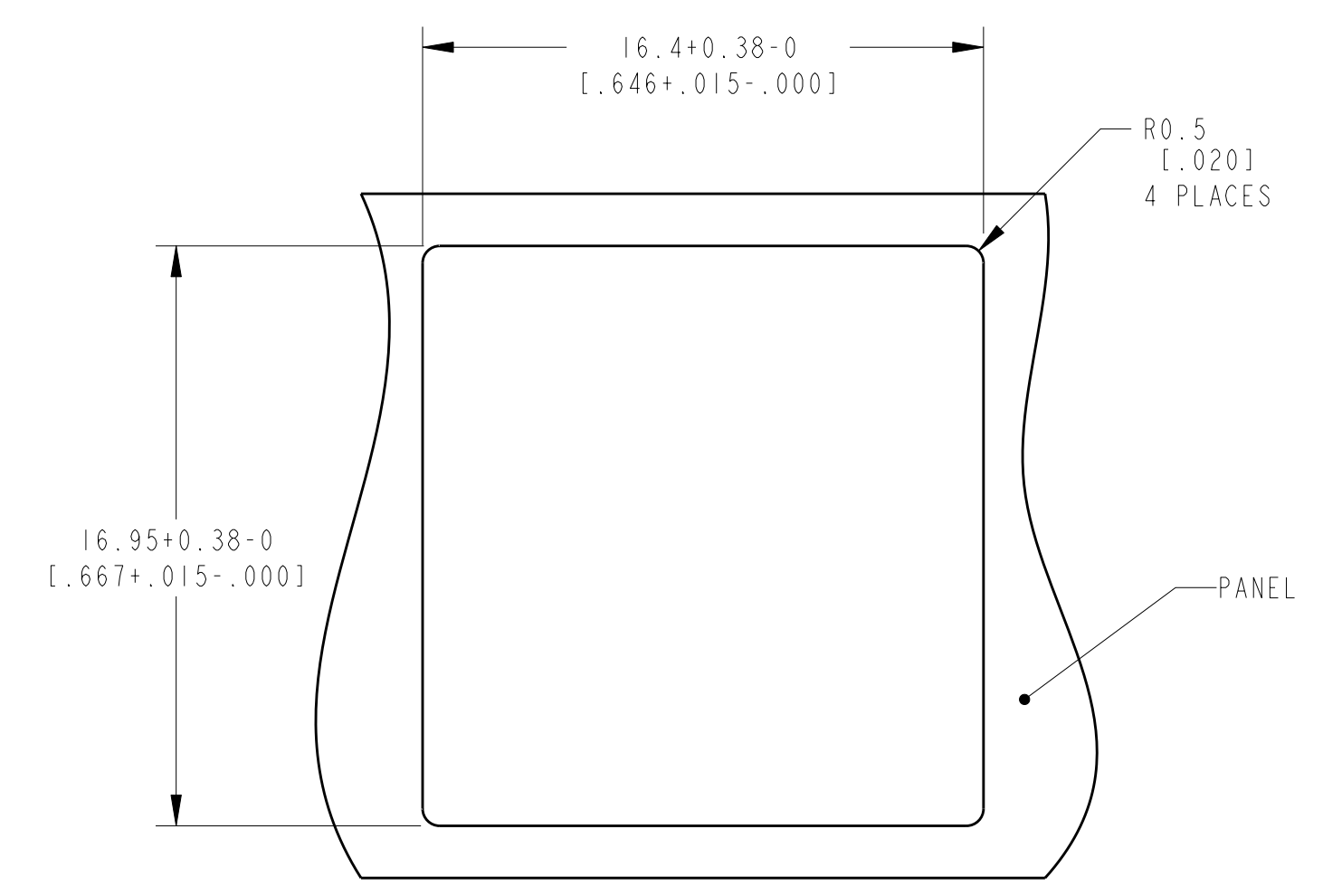
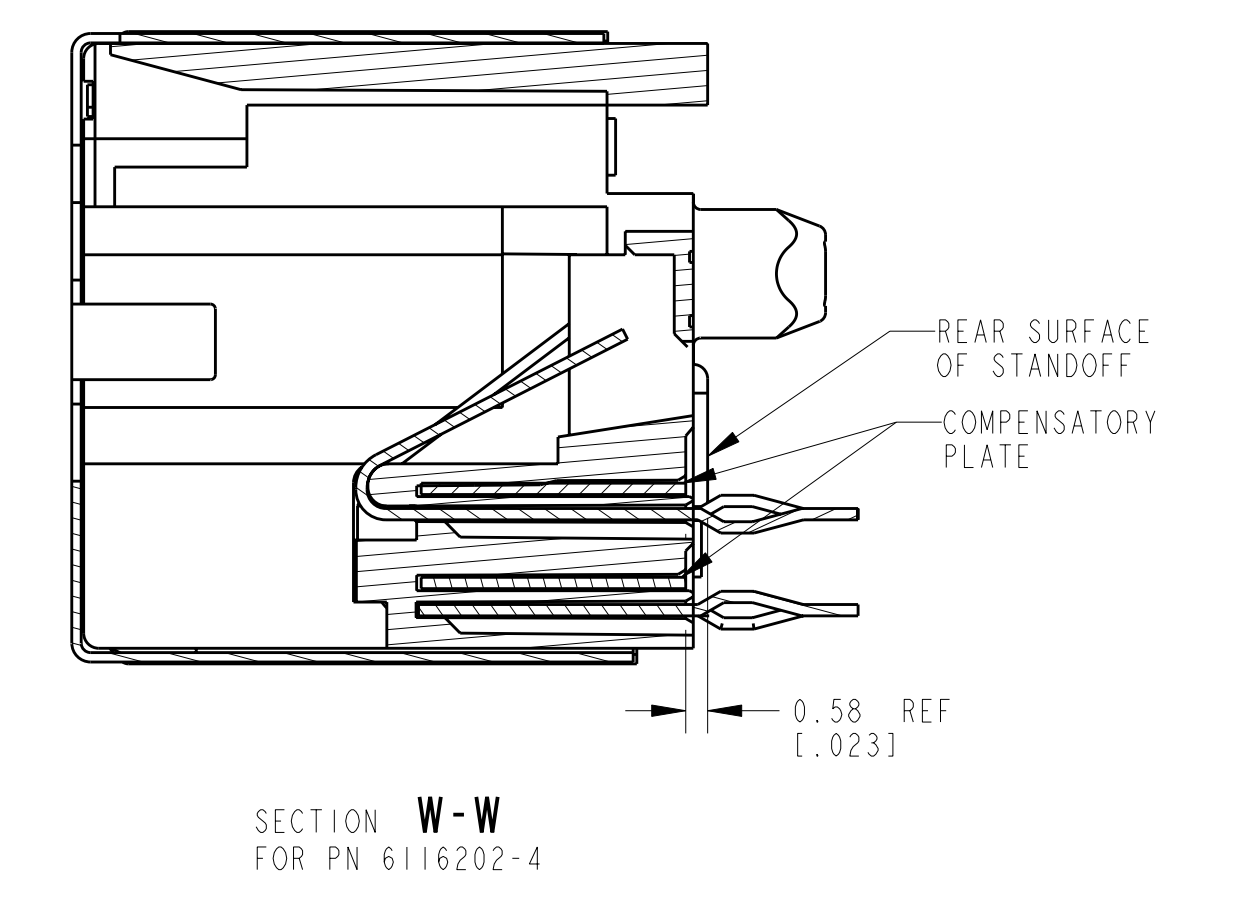
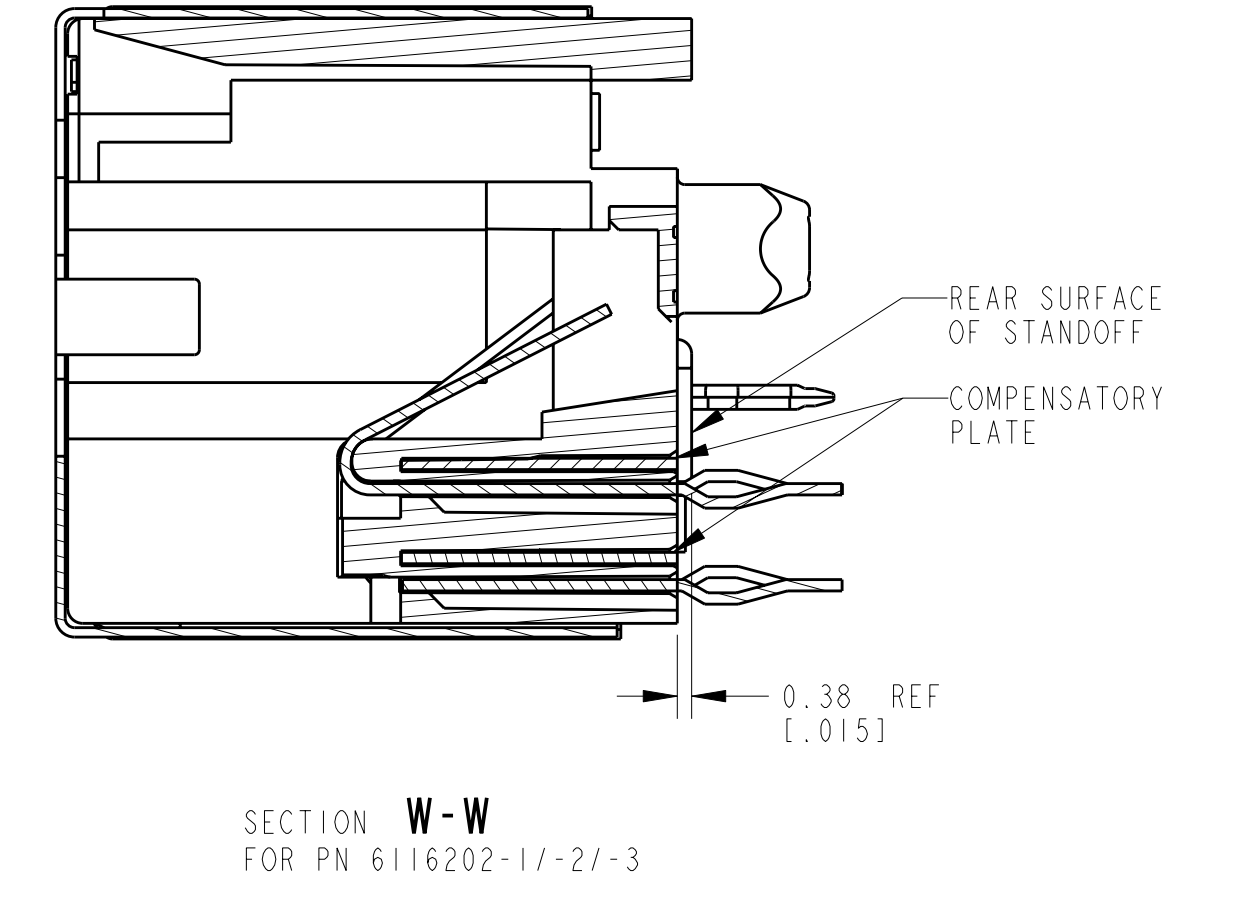
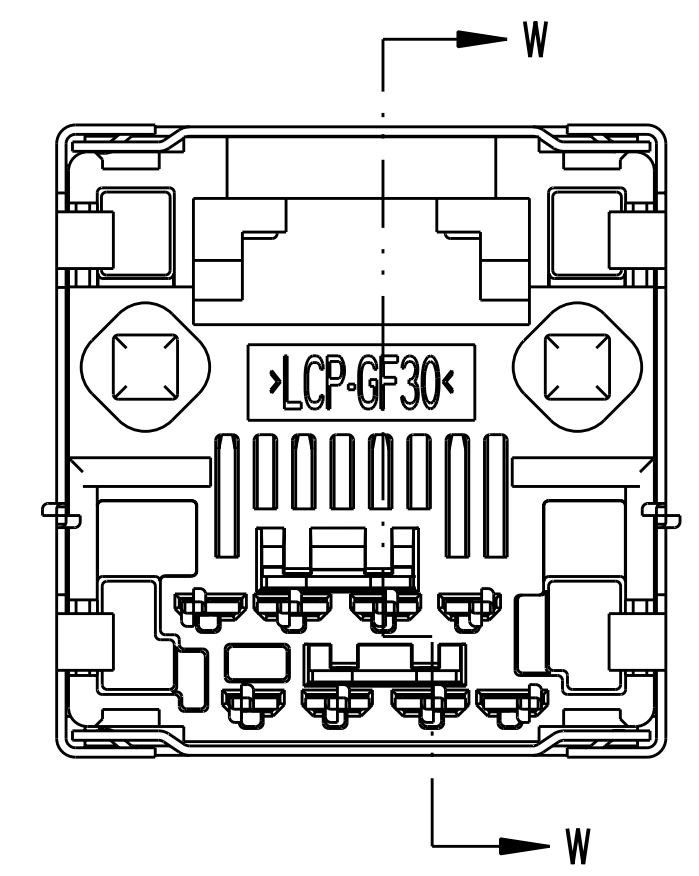
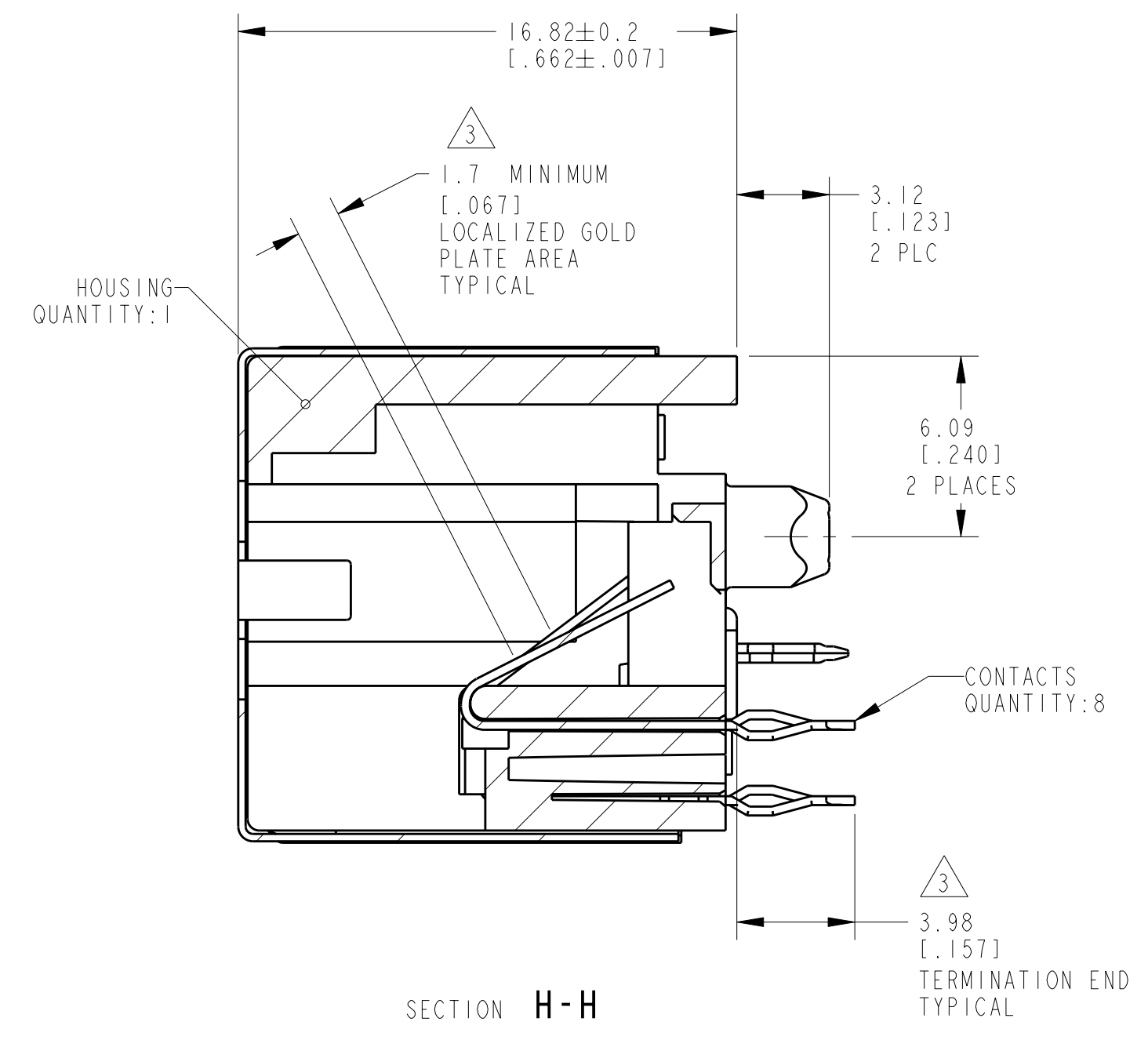
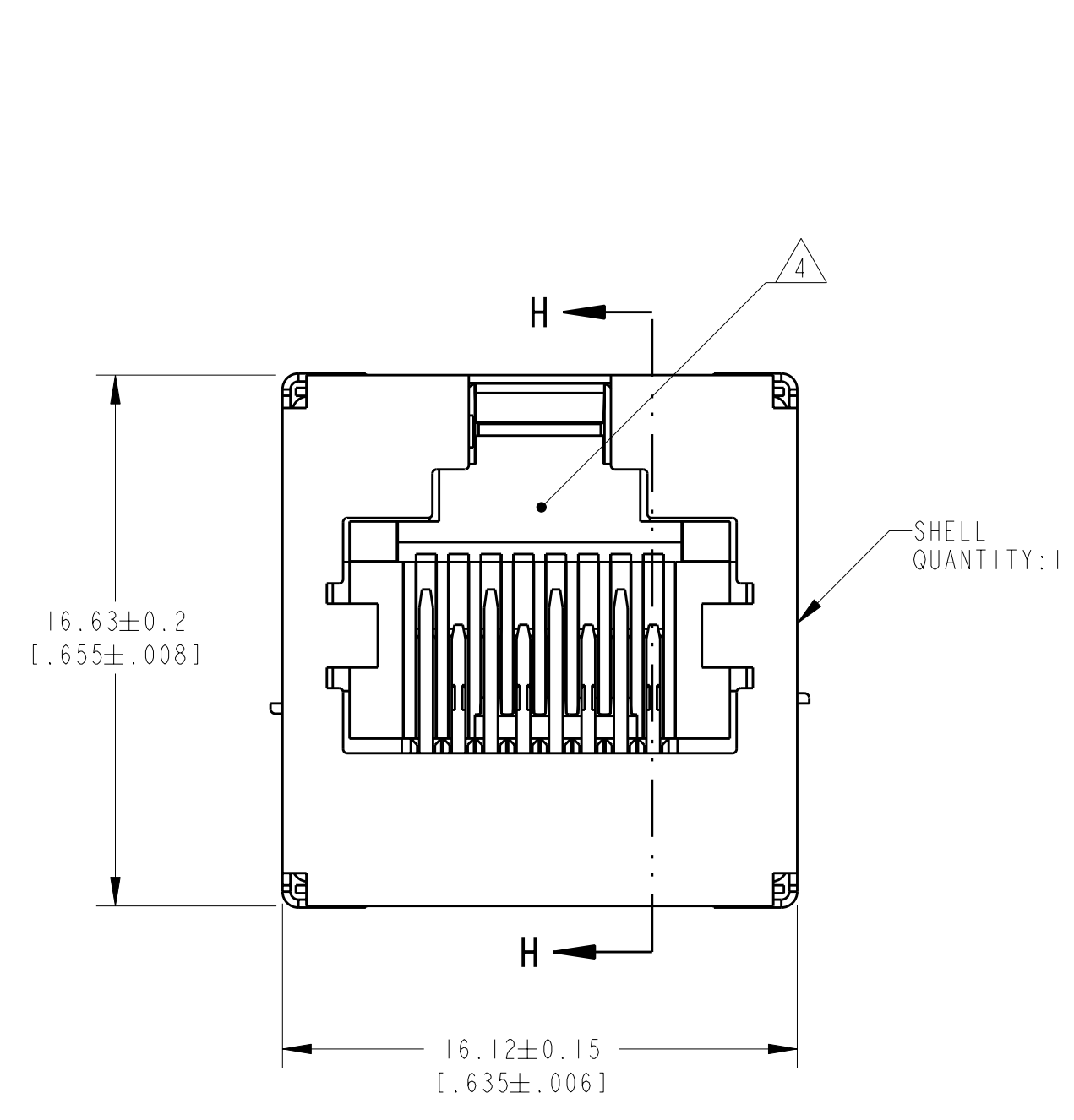
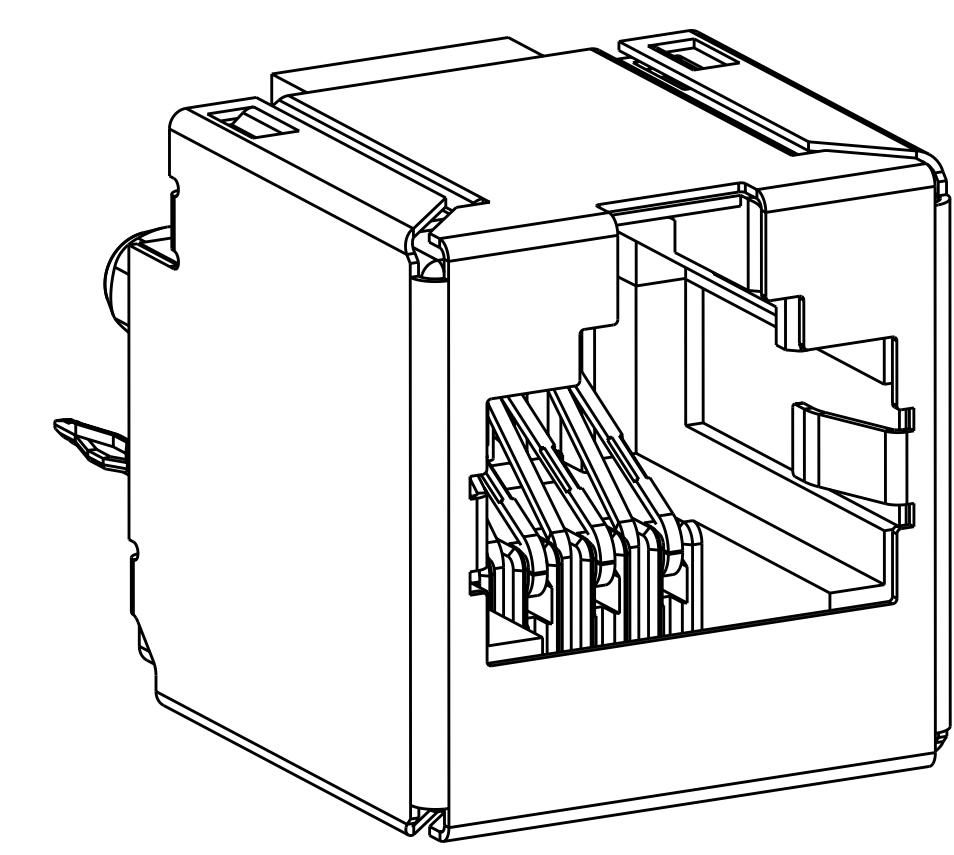


LOC	DIST	REV	DATE	BY	CHKD	APVD
AA	22	D3	18MAR2011	RK	HMR	
		E	22SEP2011	JJ	MOW	



RECOMMENDED PRINTED CIRCUIT BOARD LAYOUT
 RECOMMENDED PRINTED CIRCUIT BOARD THICKNESS 1.41±0.051 MIN
 COMPONENT SIDE OF PRINTED CIRCUIT BOARD



- 1 THERMOPLASTIC.
- 2 PHOSPHOR BRONZE
- 3 1.27 um [.000050] MIN GOLD IN LOCALIZED GOLD PLATE AREA, 2 um [.000079] MIN MATTE TIN ON TERMINATION END, BOTH OVER 1.27 um [.000050] MIN NICKEL.
- 4 CAVITY CONFORMS TO FCC 47 CFR 68 PART F.
- 5 DATUMS ESTABLISHED BY CUSTOMER.
- 6 DIMENSIONS ESTABLISHED BY CUSTOMER.
- 7 DRILLED HOLE DIAMETER 1.02±0.03 [.040±.001]. COPPER THK 0.03-0.08 [.001-.003]. TIN THICKNESS 8 um [.000315] MIN.
- 8 COPPER ZINC ALLOY
- 9 2.03 um [.000080] MIN BRIGHT TIN OVER 1.27 um [.000050] MIN NICKEL
- 10 PC BOARDS GREATER THAN 1.57 [1.062] IN THICKNESS MAY REQUIRE SPECIAL EXTRACTION TOOLING, CONSULT ENGINEERING.
- 11 PACKAGED 29 PIECES PER TUBE
- 12 PACKAGED 27 PIECES PER TUBE
- 13 WITH IMPROVED CHAMFERS ON TERMINAL EDGES.
- 14 WITHOUT COMPENSATORY PLATE

REV	DESCRIPTION	PART NUMBER
1	NATURAL	6116202-6
2	NATURAL	6116202-5
3	BLACK	6116202-4
4	NATURAL	6116202-3
5	NATURAL	6116202-2
6	BLACK	6116202-1
	PACKAGING	COLOR PART NUMBER

THIS DRAWING IS A CONTROLLED DOCUMENT.		DWN 20APR2005	TE Connectivity	
DIMENSIONS: mm [INCHES]		CHK A. MAYER 20APR2005	NAME	
TOLERANCES UNLESS OTHERWISE SPECIFIED:		CHK J. WESTMAN 20APR2005	MODULAR JACK ASSEMBLY, VERTICAL, COMPLIANT PIN, SHIELDED, 8 POSITION, CATEGORY 5	
9 PLC ±		APVD S. FLICKINGER 20APR2005	PRODUCT SPEC	
1 PLC ±0.3 [1.023]		108-1163-6		
5 PLC ±0.13 [1.005]		APPLICATION SPEC		
4 PLC ±		114-2158		
ANGLES ±		WEIGHT		
FINISH		CUSTOMER DRAWING		
MATERIAL		SCALE 5:1		
FINISH		SHEET 1 OF 1		
FINISH		REV E		

X-ON Electronics

Largest Supplier of Electrical and Electronic Components

Click to view similar products for [Modular Connectors / Ethernet Connectors](#) category:

Click to view products by [TE Connectivity](#) manufacturer:

Other Similar products are found below :

[8949-H88/06BLKA/SN](#) [74441-0010/BKN](#) [MP1010RX-1000](#) [MP44RX-1000](#) [PHJ-4P4C-1-V-4](#) [PHP-6P6C-5](#) [GAX-3-66](#) [GAX-8-62](#) [GDCX-PA-66-50](#) [GDCX-PN-64](#) [GDCX-PN-66](#) [GDCX-PN-66-50](#) [GDLX-A-66](#) [GDLX-N-66](#) [GDLX-S-66](#) [GDLX-S-88K](#) [GDLX-SMT-S-88](#) [GDTX-S-88-50](#) [GDX-PA-1010](#) [GLX-N-1010M-BLK](#) [GLX-S-88M-BLK](#) [GMX-N-1010](#) [GMX-S-1010](#) [GMX-S-66](#) [GMX-SMT4-N-88](#) [GPX-2-64](#) [GSGX-N-2-88](#) [GSGX-N-4-88](#) [GSX-NS2-88-3.05](#) [GSX-NS2-88-3.05-50](#) [GSX-NS-88-3.05-50](#) [PT-108A-8C-UL](#) [PT-J951-8C](#) [PTS-J531-8CS-50UL](#) [1-1775629-2](#) [A-2014-0-4](#) [GWLX-S-88-GR](#) [GWLX-S9-88-YG](#) [DC-1021-8-WH-6](#) [1300530003](#) [1324640-4](#) [RJ11FTVC2G](#) [RJ11FTVC2N](#) [RJFTVX2SA1G](#) [132764-001](#) [1413235](#) [MP88X-1000](#) [MPS88RX-5000](#) [E5288-S000K3-L](#) [E5908-15A242-L](#)