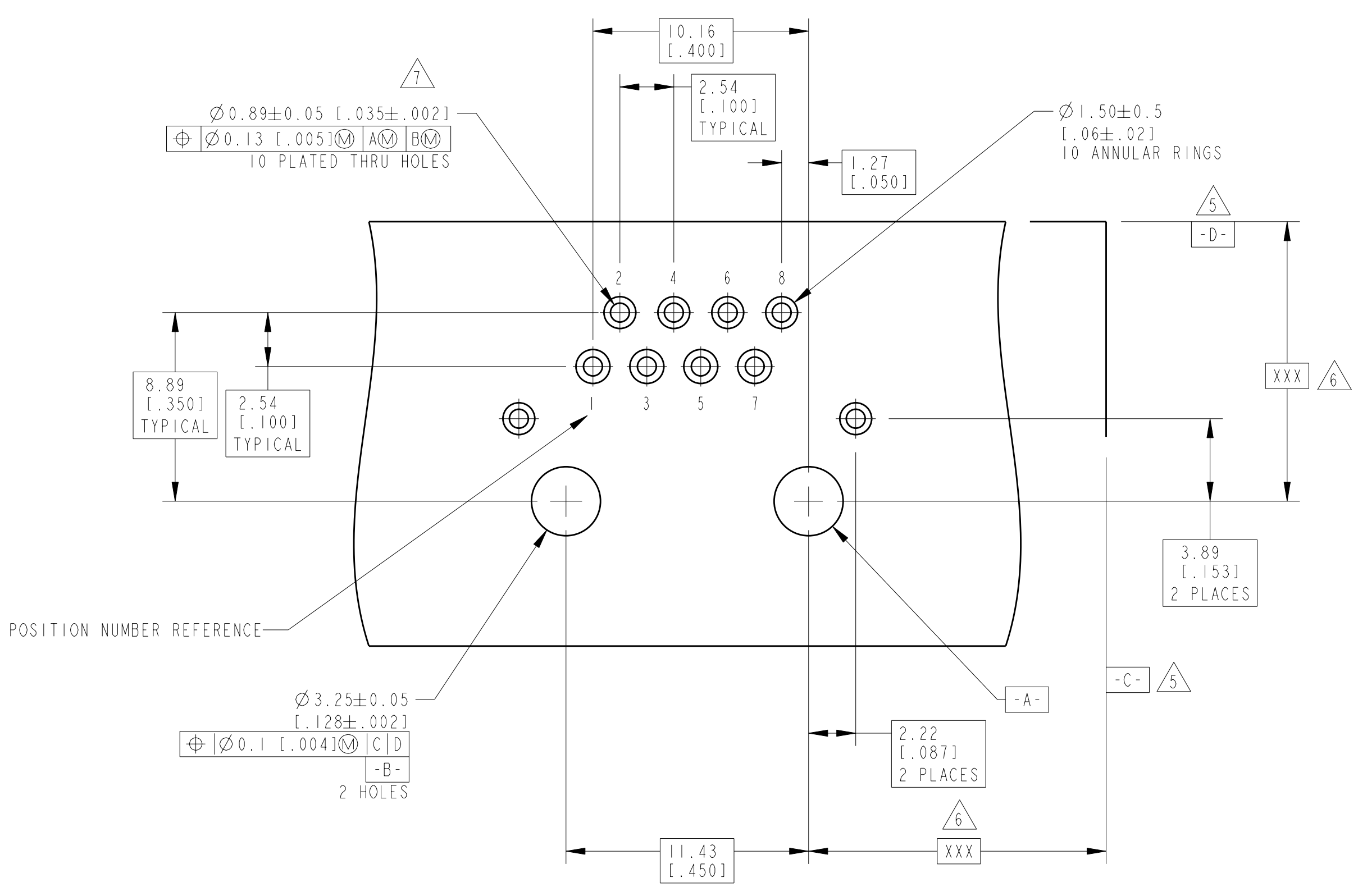
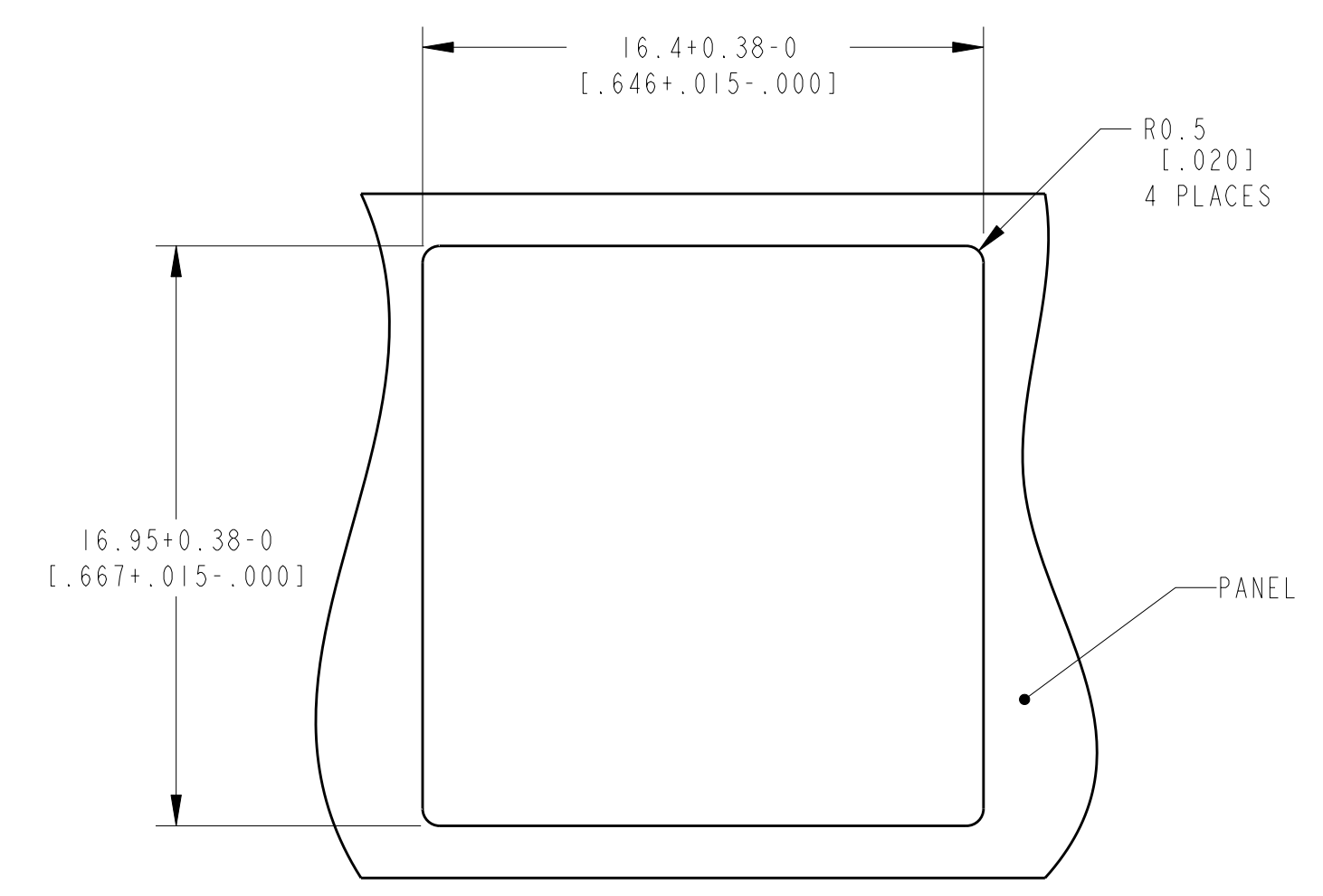
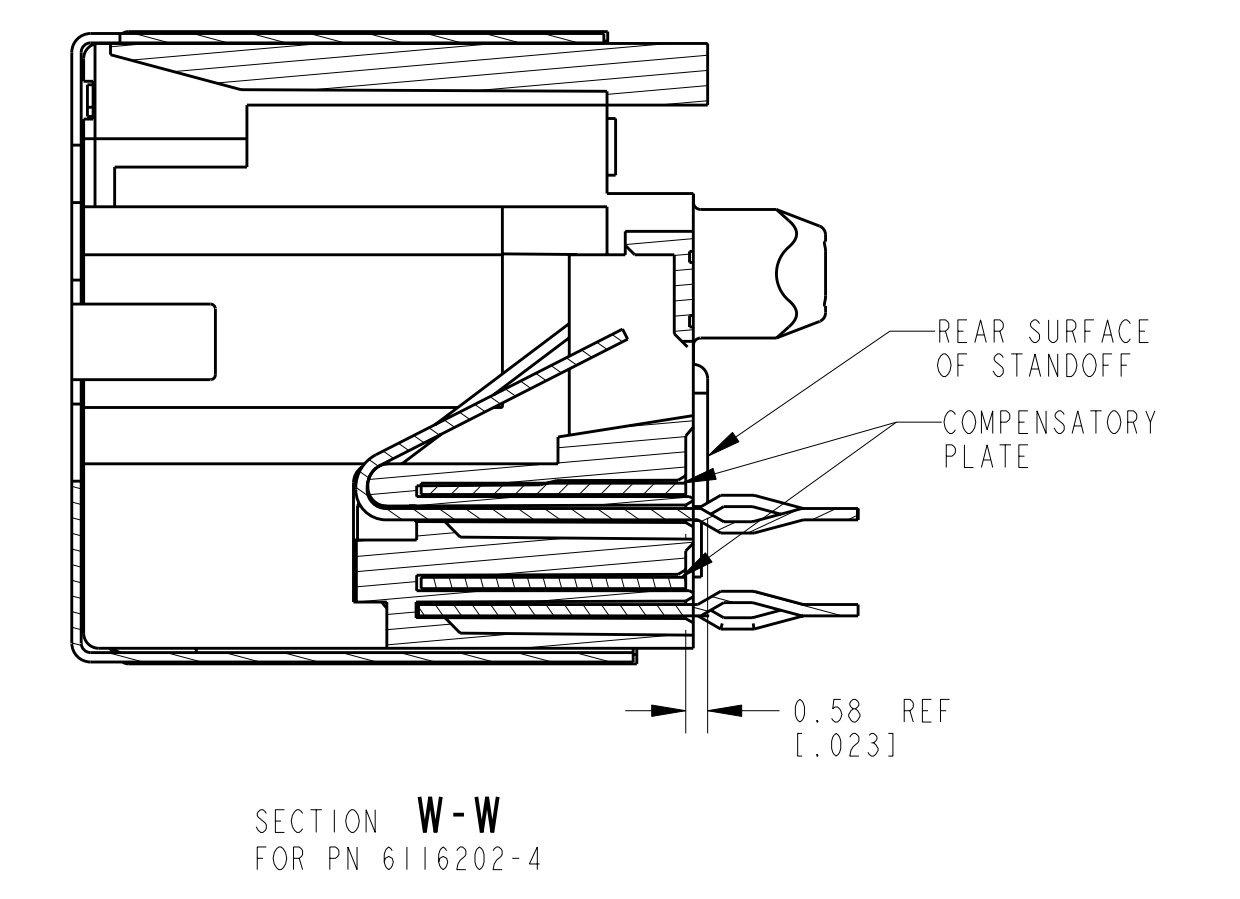
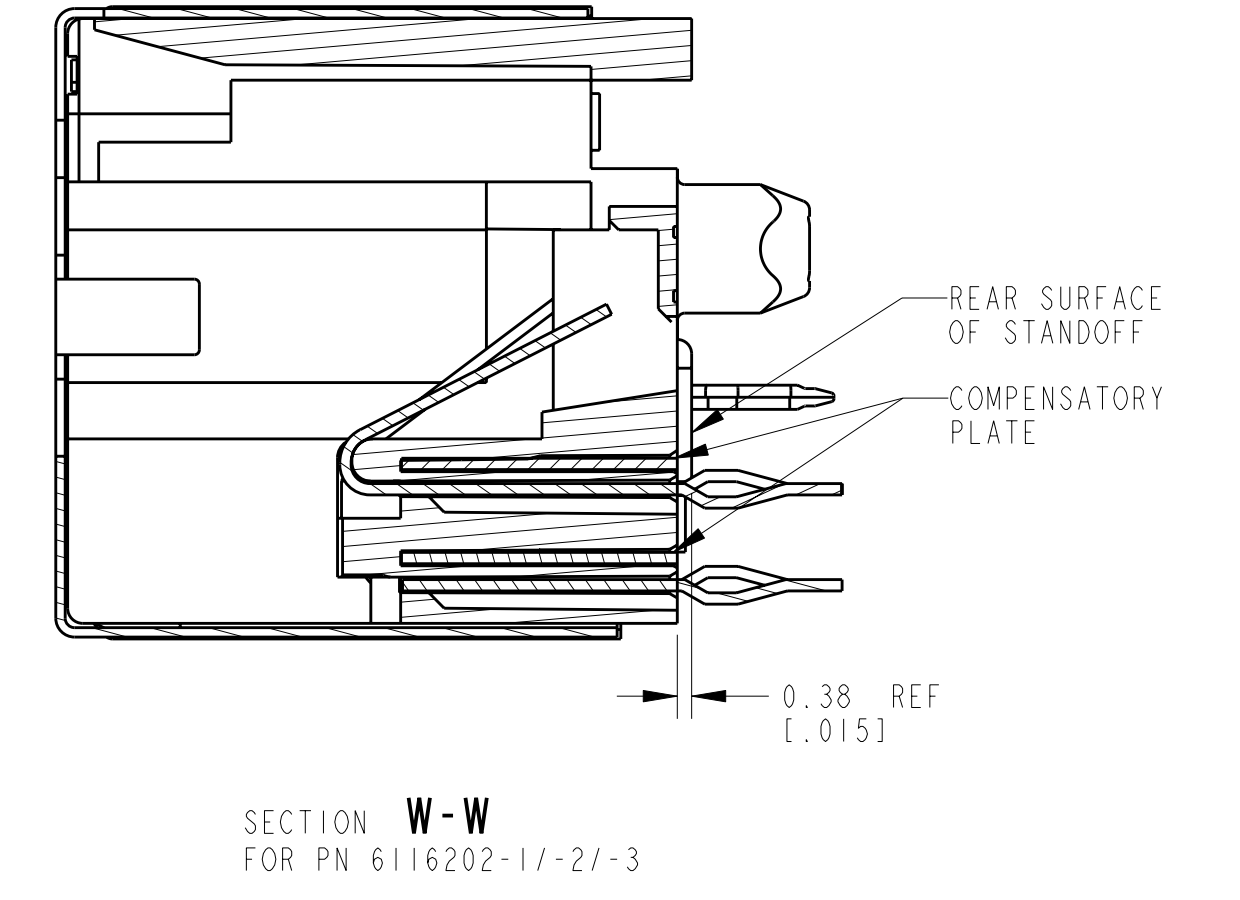
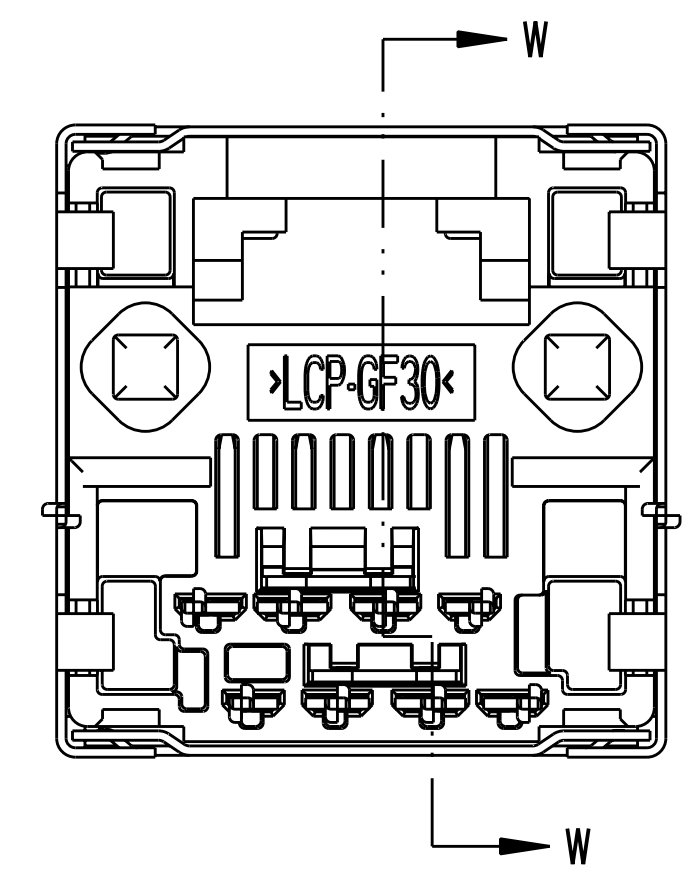
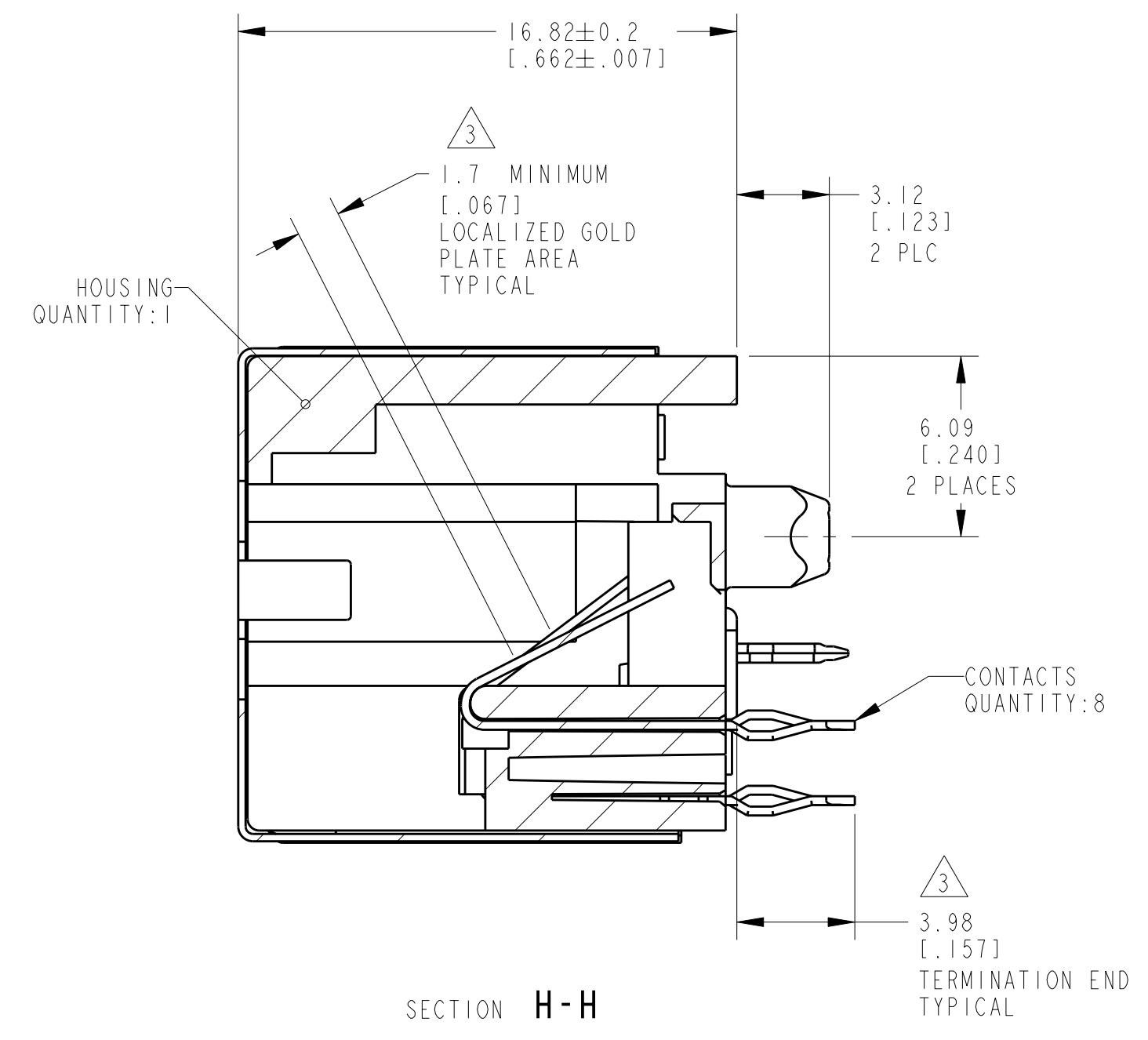
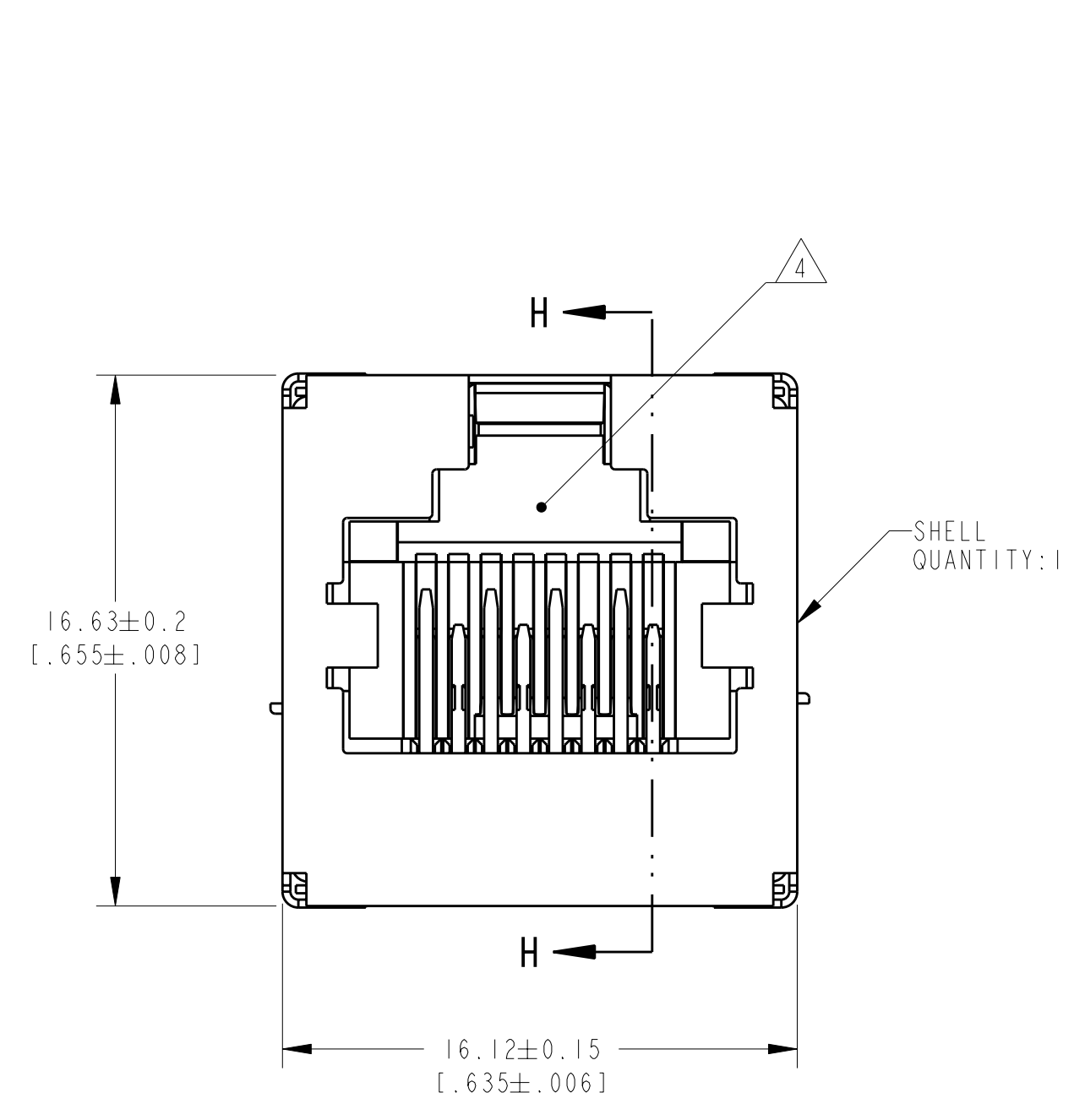
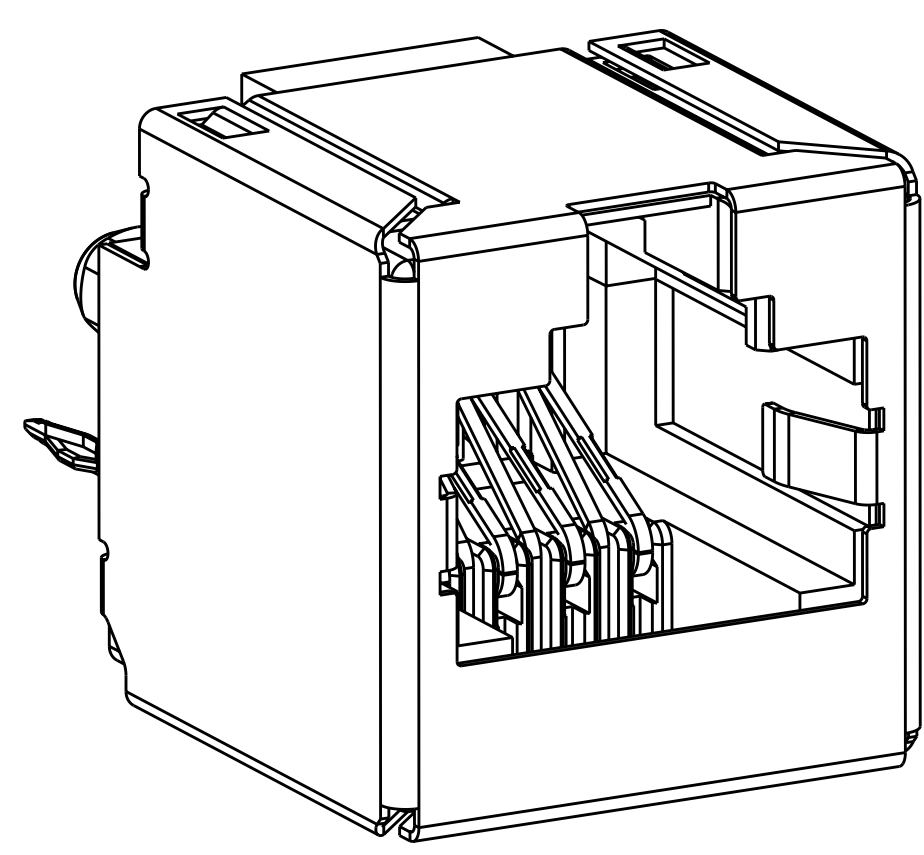


| LOC | DIST | REV | DATE | BY | CHKD | APVD |
|-----|------|-----|-----------|----|------|------|
| AA | 22 | D3 | 18MAR2011 | RK | HMR | |
| | | E | 22SEP2011 | JJ | MOW | |



RECOMMENDED PRINTED CIRCUIT BOARD LAYOUT
 RECOMMENDED PRINTED CIRCUIT BOARD THICKNESS 1.41 [0.055] MIN
 COMPONENT SIDE OF PRINTED CIRCUIT BOARD

RECOMMENDED PANEL CUTOUT



- 1 THERMOPLASTIC.
- 2 PHOSPHOR BRONZE
- 3 1.27 um [0.000050] MIN GOLD IN LOCALIZED GOLD PLATE AREA, 2 um [0.000079] MIN MATTE TIN ON TERMINATION END, BOTH OVER 1.27 um [0.000050] MIN NICKEL.
- 4 CAVITY CONFORMS TO FCC 47 CFR 68 PART F.
- 5 DATUMS ESTABLISHED BY CUSTOMER.
- 6 DIMENSIONS ESTABLISHED BY CUSTOMER.
- 7 DRILLED HOLE DIAMETER 1.02±0.03 [0.040±0.001]. COPPER THK 0.03-0.08 [0.001-0.003]. TIN THICKNESS 8 um [0.000315] MIN.
- 8 COPPER ZINC ALLOY
- 9 2.03 um [0.000080] MIN BRIGHT TIN OVER 1.27 um [0.000050] MIN NICKEL
- 10 PC BOARDS GREATER THAN 1.57 [0.062] IN THICKNESS MAY REQUIRE SPECIAL EXTRACTION TOOLING, CONSULT ENGINEERING.
- 11 PACKAGED 29 PIECES PER TUBE
- 12 PACKAGED 27 PIECES PER TUBE
- 13 WITH IMPROVED CHAMFERS ON TERMINAL EDGES.
- 14 WITHOUT COMPENSATORY PLATE

| REV | DESCRIPTION | DATE | BY | CHKD | APVD |
|-----------|-------------|-----------|-------------|------|------|
| 1 | NATURAL | 6116202-6 | | | |
| 2 | NATURAL | 6116202-5 | | | |
| 3 | BLACK | 6116202-4 | | | |
| 4 | NATURAL | 6116202-3 | | | |
| 5 | NATURAL | 6116202-2 | | | |
| 6 | BLACK | 6116202-1 | | | |
| PACKAGING | | COLOR | PART NUMBER | | |

| | | | | | |
|----------------------------------------|--|----------------------------------------|--|--------------------|--|
| THIS DRAWING IS A CONTROLLED DOCUMENT. | | DWN 20APR2005 | | TE Connectivity | |
| DIMENSIONS: mm [INCHES] | | TOLERANCES UNLESS OTHERWISE SPECIFIED: | | NAME | |
| 9 PLC ±0.3 [0.012] | | 1 PLC ±0.13 [0.005] | | S. FLICKINGER | |
| 5 PLC ±0.13 [0.005] | | 4 PLC ±0.13 [0.005] | | PRODUCT SPEC | |
| MATERIAL | | FINISH | | APPLICATION SPEC | |
| 1 2 8 | | 3 9 | | 108-1163-6 | |
| CUSTOMER DRAWING | | SCALE 5:1 | | RESTRICTED TO | |
| | | | | A1 00779 C=6116202 | |
| | | | | SHEET 1 OF 1 REV E | |

X-ON Electronics

Largest Supplier of Electrical and Electronic Components

Click to view similar products for [Modular Connectors / Ethernet Connectors](#) category:

Click to view products by [TE Connectivity](#) manufacturer:

Other Similar products are found below :

[8949-H88/06BLKA/SN](#) [74441-0010/BKN](#) [MP1010RX-1000](#) [MP44RX-1000](#) [PHJ-4P4C-1-V-4](#) [PHP-6P6C-5](#) [GAX-3-66](#) [GAX-8-62](#) [GDCX-PA-66-50](#) [GDCX-PN-64](#) [GDCX-PN-66](#) [GDCX-PN-66-50](#) [GDLX-A-66](#) [GDLX-N-66](#) [GDLX-S-66](#) [GDLX-S-88K](#) [GDTX-S-88-50](#) [GDX-PA-1010](#) [GLX-N-1010M-BLK](#) [GLX-S-88M-BLK](#) [GMX-N-1010](#) [GMX-S-1010](#) [GMX-S-66](#) [GMX-SMT4-N-88](#) [GPX-2-64](#) [GSGX-N-2-88](#) [GSGX-N-4-88](#) [GSX-NS2-88-3.05](#) [GSX-NS2-88-3.05-50](#) [GSX-NS-88-3.05-50](#) [PT-108A-8C-UL](#) [PT-J951-8C](#) [PTS-J531-8CS-50UL](#) [1-1775629-2](#) [A-2014-0-4](#) [GWLX-S-88-GR](#) [GWLX-S9-88-YG](#) [DC-1021-8-WH-6](#) [1300530003](#) [1324640-4](#) [RJ11FTVC2G](#) [RJ11FTVC2N](#) [RJFTVX2SA1G](#) [132764-001](#) [1413235](#) [MP88X-1000](#) [MPS88RX-5000](#) [E5288-S000K3-L](#) [E5908-15A242-L](#) [155302-001](#)