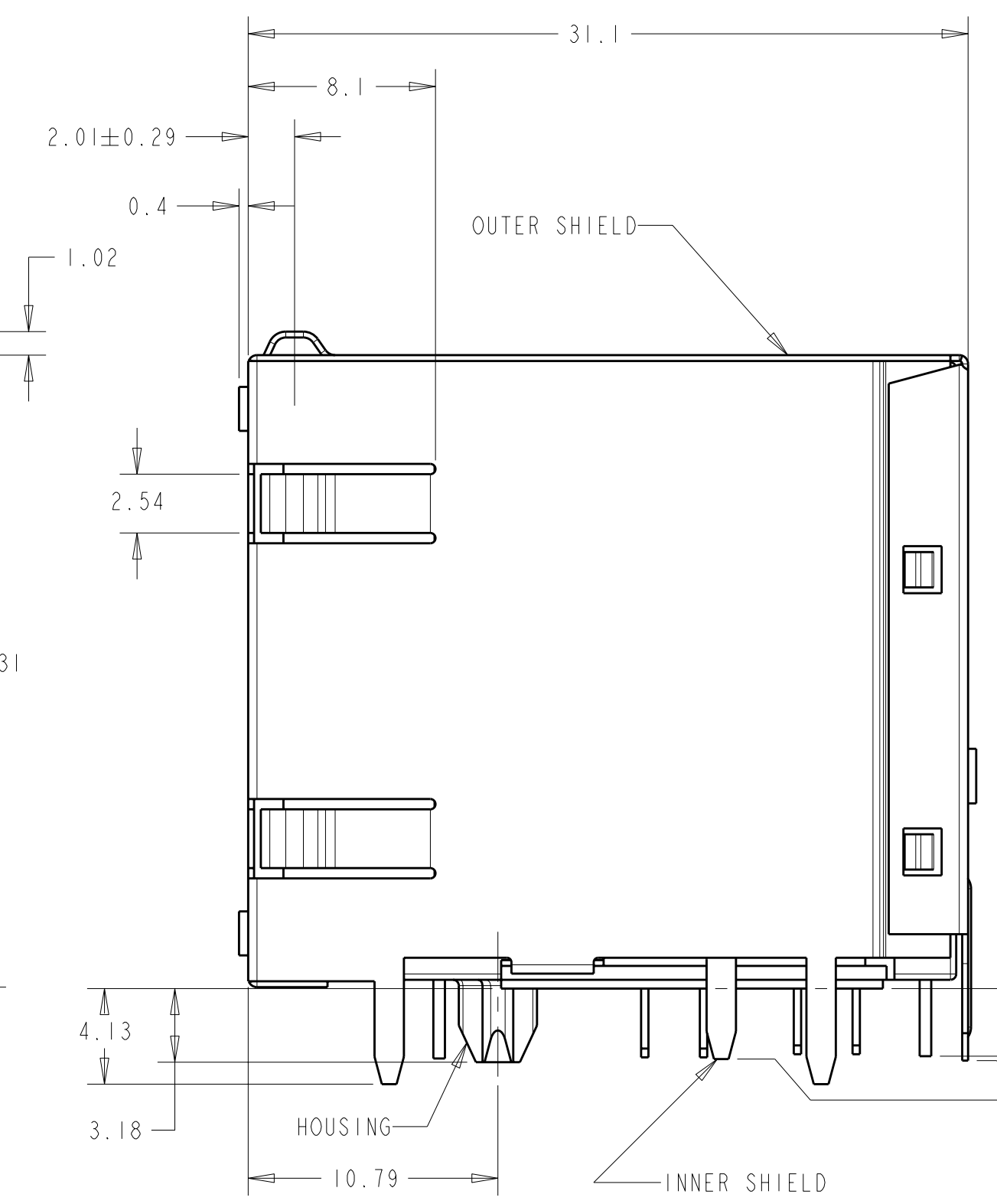
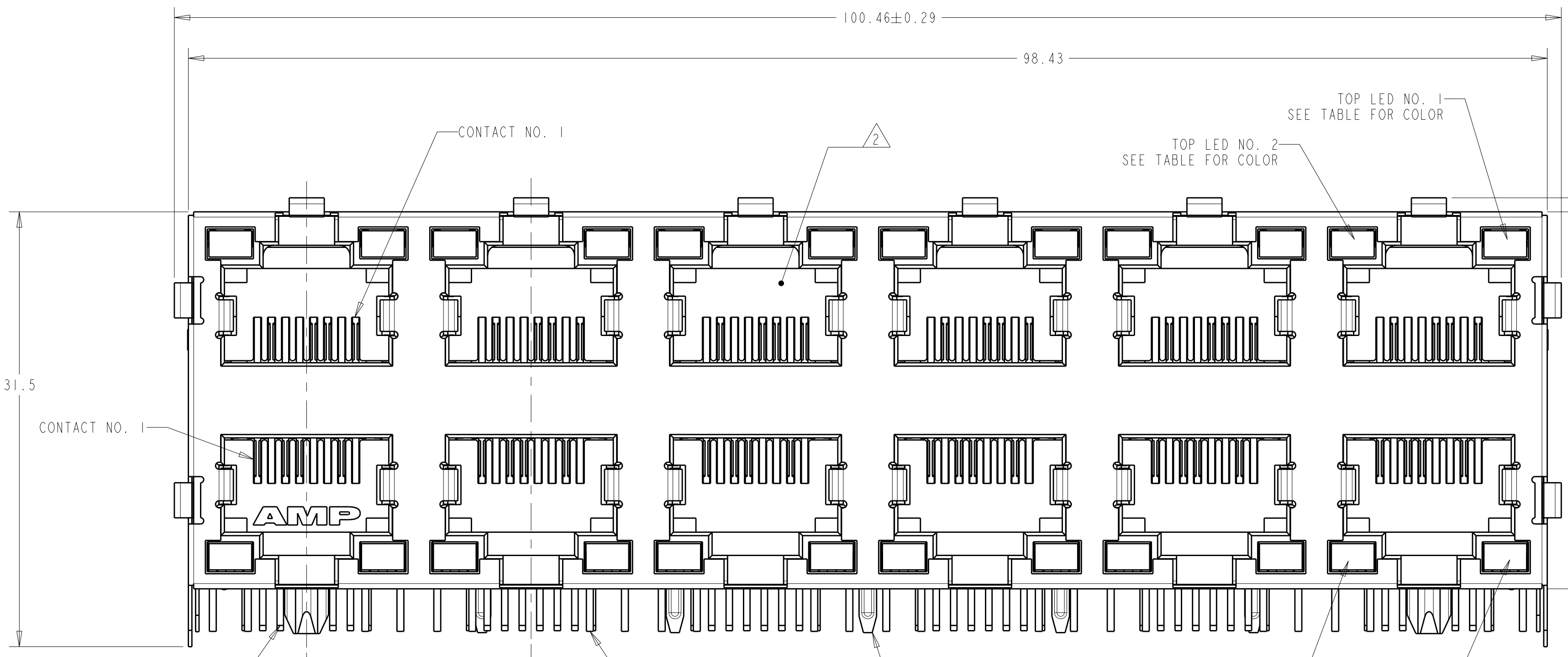
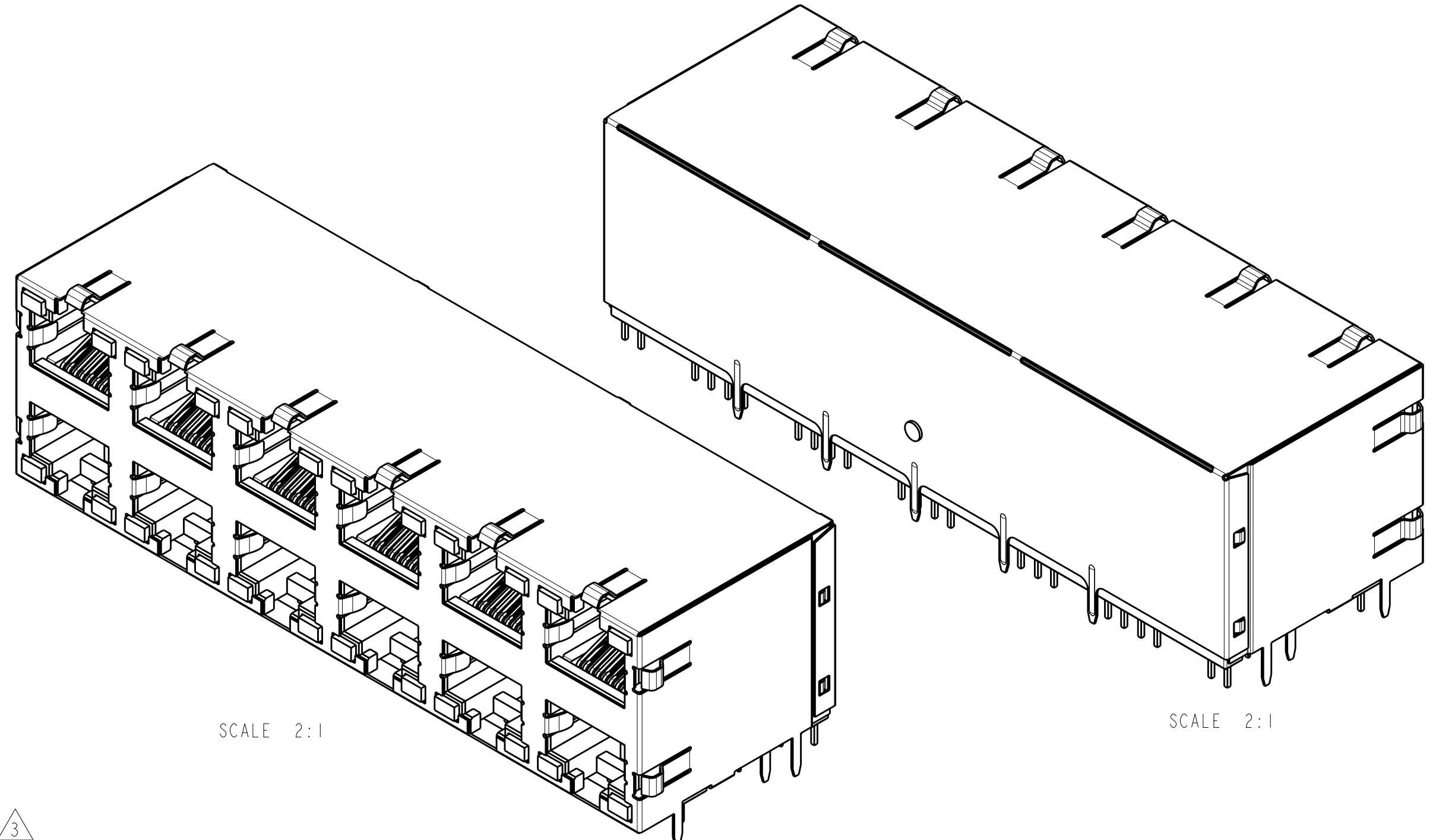
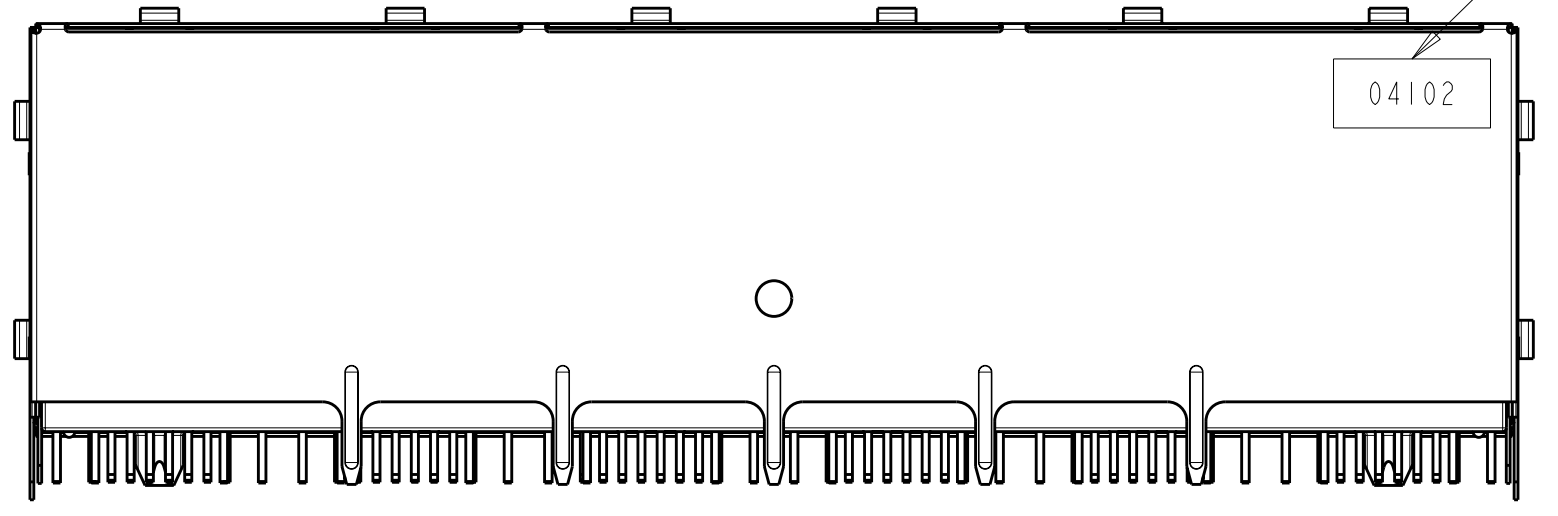
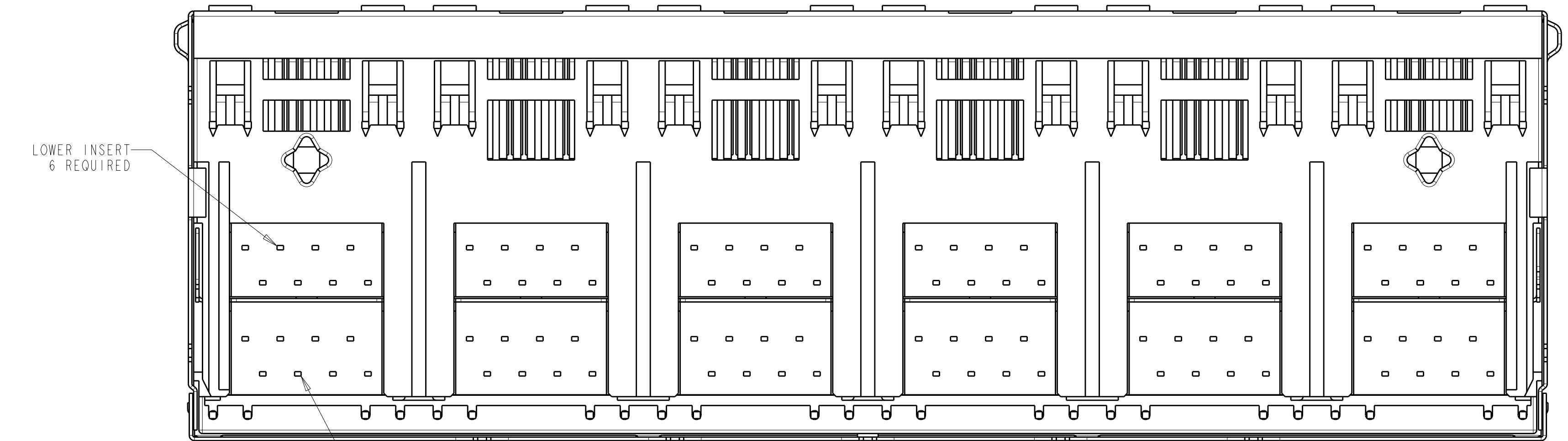


LOC	DIST	REV	DESCRIPTION	DATE	OWN	APVD
AA	00	1	ECR-09-004284	17APR2009	TY	SY



- 1 MATERIAL: HOUSING - PBT POLYESTER, BLACK, UL 94V-0. TERMINALS - 0.33 THICK PHOS BRONZE PLATED WITH 1.27μm MINIMUM THICK HARD GOLD IN LOCALIZED AREA AND 3.81μm MINIMUM THICK MATTE TIN IN SOLDER AREA OVER 1.27μm MINIMUM THICK NICKEL UNDERPLATE. SHIELD - 0.25 THICK COPPER ALLOY PLATED WITH 2.03μm MINIMUM BRIGHT TIN OVER 1.27μm MINIMUM NICKEL. LIGHT EMITTING DIODE (LED) - DIFFUSED EPOXY LENS, 0.51 X 0.51 CARBON STEEL WIREFRAME LEADS PREPLATED WITH 8.89μm TIN/COPPER OVER 2.03μm SILVER OVER 3.56μm NICKEL UNDERPLATE OVER 1.02μm COPPER UNDERPLATE.
- 2 JACK CAVITY CONFORMS TO FCC RULES AND REGULATIONS, PART 68 SUBPART F.
- 3 DATE CODE LOCATED ON REAR OF PART APPROX AS SHOWN: FIRST 2 DIGITS ARE LAST 2 DIGITS OF YEAR, SECOND 2 DIGITS ARE MANUFACTURING WORK WEEK, LAST DIGIT IS DAY OF WEEK, WITH SUNDAY=1.
- 4 SUGGESTED OPERATING CURRENT FOR THE LED IS 20 mA.
- 5 THIS MODULAR JACK WITH INTEGRATED LED IS NOT IR REFLOW SOLDERING PROCESS COMPATIBLE.
- 6 MATERIAL: HOUSING - PBT POLYESTER, BLACK, UL 94V-0. TERMINALS - 0.33 THICK PHOS BRONZE PLATED WITH 1.27μm MINIMUM THICK HARD GOLD IN LOCALIZED AREA AND 3.81μm MINIMUM THICK MATTE TIN IN SOLDER AREA OVER 1.27μm MINIMUM THICK NICKEL UNDERPLATE. SHIELD - 0.25 THICK COPPER ALLOY PLATED WITH 1.27μm MINIMUM NICKEL AND 2.03μm MINIMUM HOT TIN DIP ON PCB GROUND TABS. LIGHT EMITTING DIODE (LED) - DIFFUSED EPOXY LENS, 0.51 X 0.51 CARBON STEEL WIREFRAME LEADS PREPLATED WITH 8.89μm TIN/COPPER OVER 2.03μm SILVER OVER 3.56μm NICKEL UNDERPLATE OVER 1.02μm COPPER UNDERPLATE.

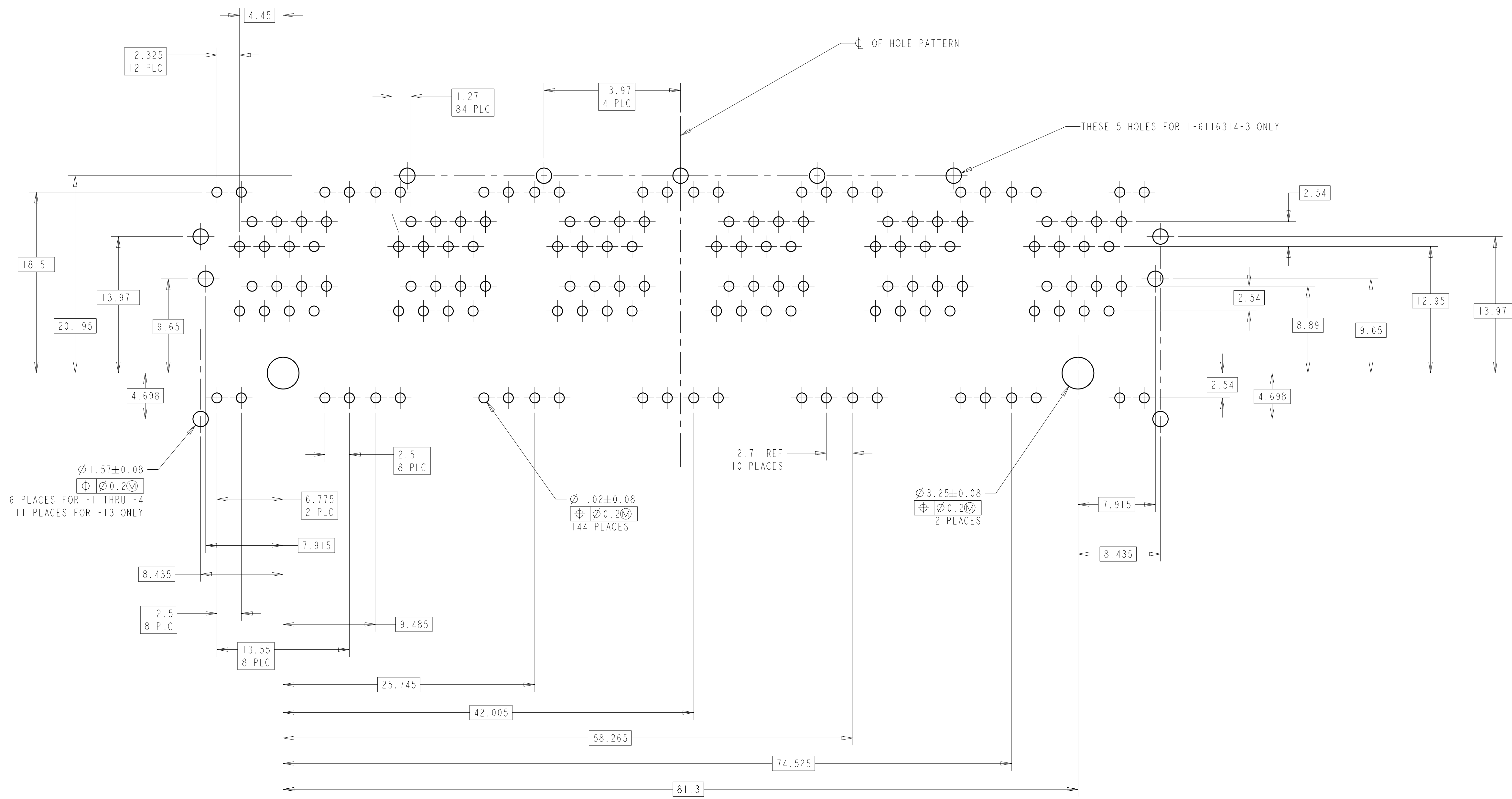


LED NO. 2	LED NO. 1	LED NO. 2	LED NO. 1	PART NUMBER
GREEN	YELLOW	GREEN	YELLOW	1-6116314-3
GREEN/ORANGE	GREEN/ORANGE	GREEN/ORANGE	GREEN/ORANGE	6116314-4
GREEN	YELLOW	GREEN	YELLOW	6116314-3
YELLOW	GREEN	GREEN	YELLOW	6116314-2
GREEN	GREEN	GREEN	GREEN	6116314-1

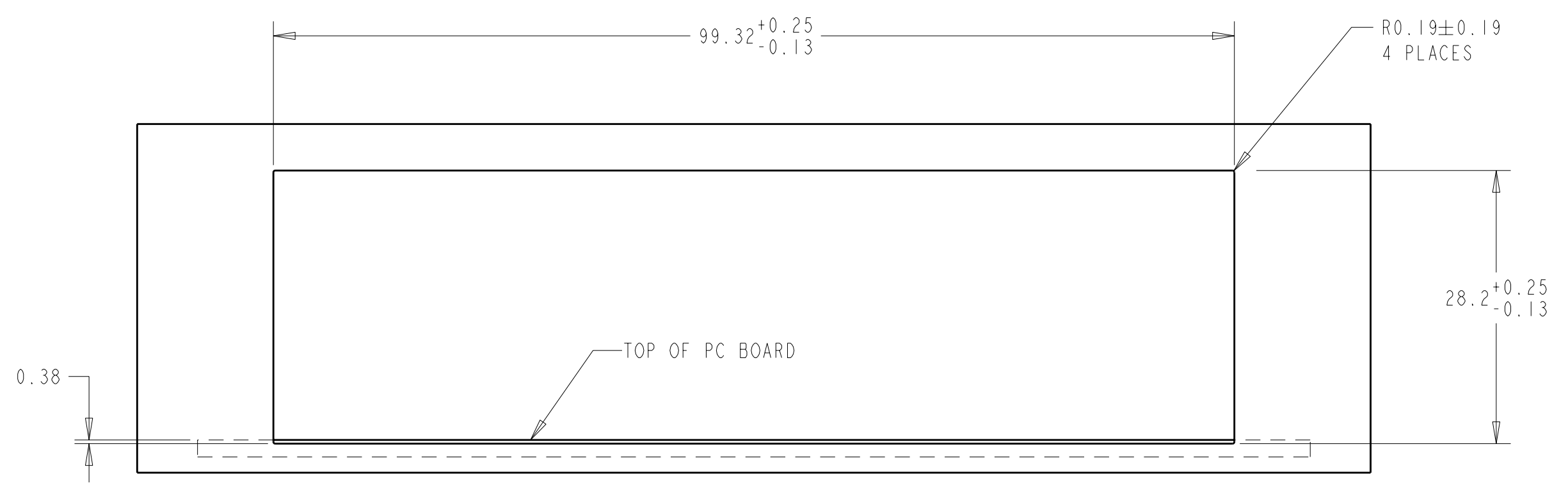
  

DIMENSIONS:	TOLERANCES UNLESS OTHERWISE SPECIFIED:	OWN	DATE	TYCO ELECTRONICS
mm	9 PLC ±0.25	D. RINGLER	11SEP2005	TYCO ELECTRONICS
	8 PLC ±0.25	J. WESTMAN	11SEP2005	HARRISBURG, PA 17105-3608
	5 PLC ±0.25	S. FLICKINGER	11SEP2005	
	4 PLC ±0.25			
	ANGLES ±0.25			
MATERIAL SEE NOTE 1	FINISH SEE NOTE 1	NAME	ASSEMBLY, STACKED JACK, 2 x 6, 8 POSITION, SHIELDED, PANEL GROUND, LEDS, CATEGORY 5	
		PRODUCT SPEC	108-1163-2	
		APPLICATION SPEC	114-2154	
		WEIGHT	A 00779 C=6116314	
		CUSTOMER DRAWING	SCALE 1:1 SHEET 1 OF 2 REV D1	

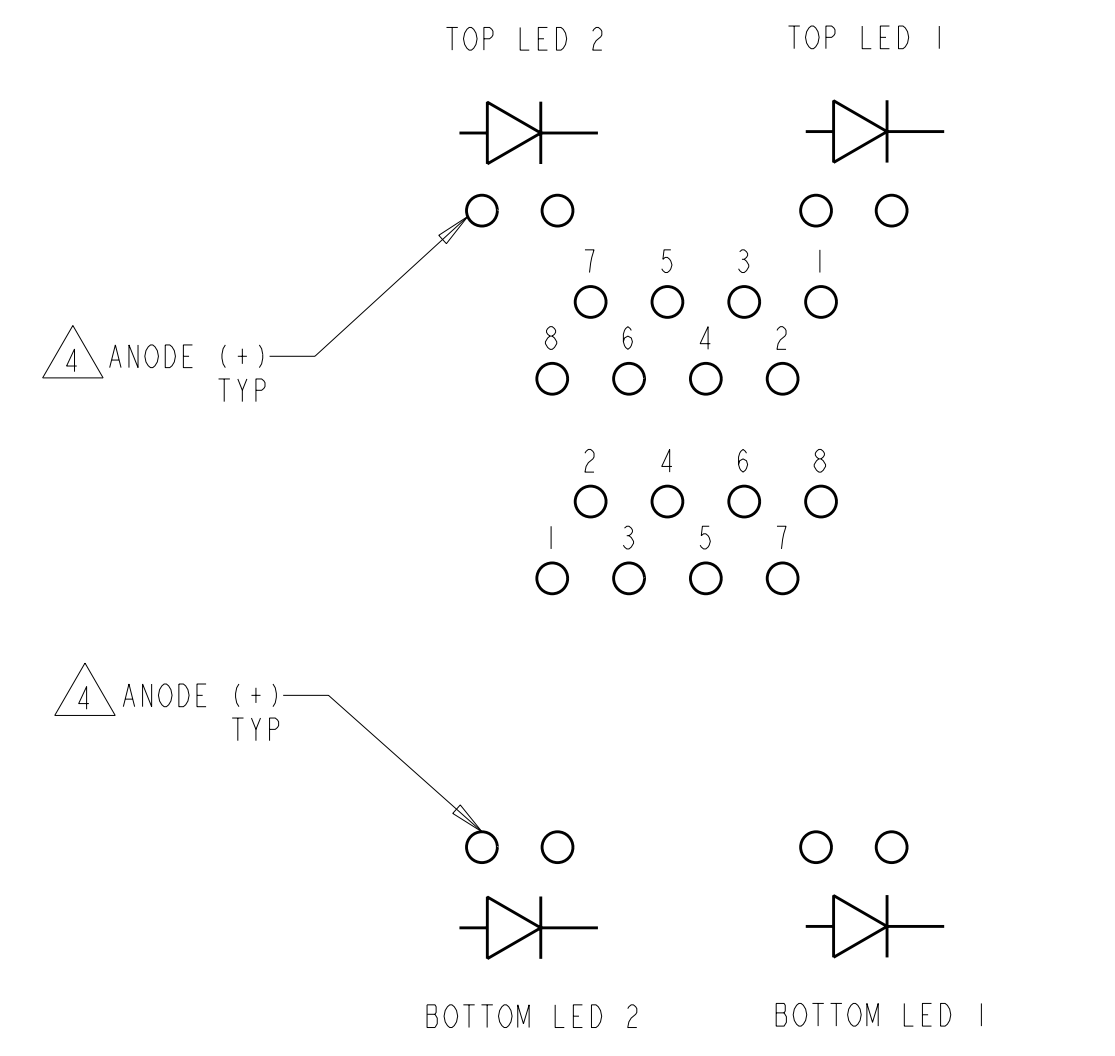
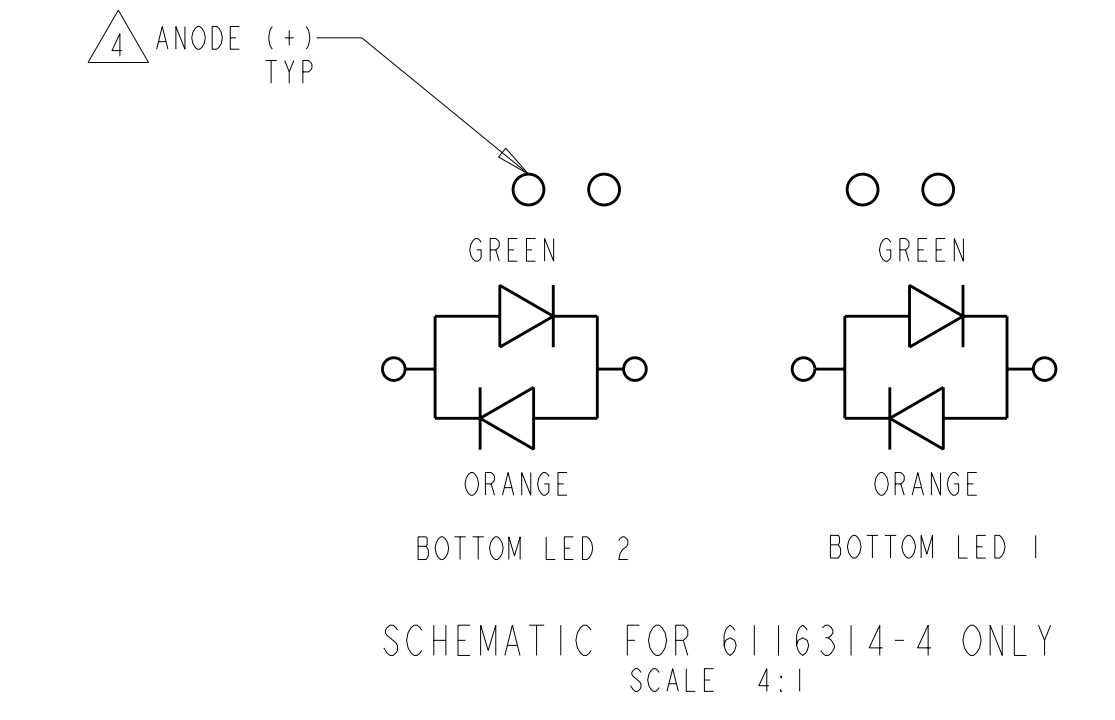
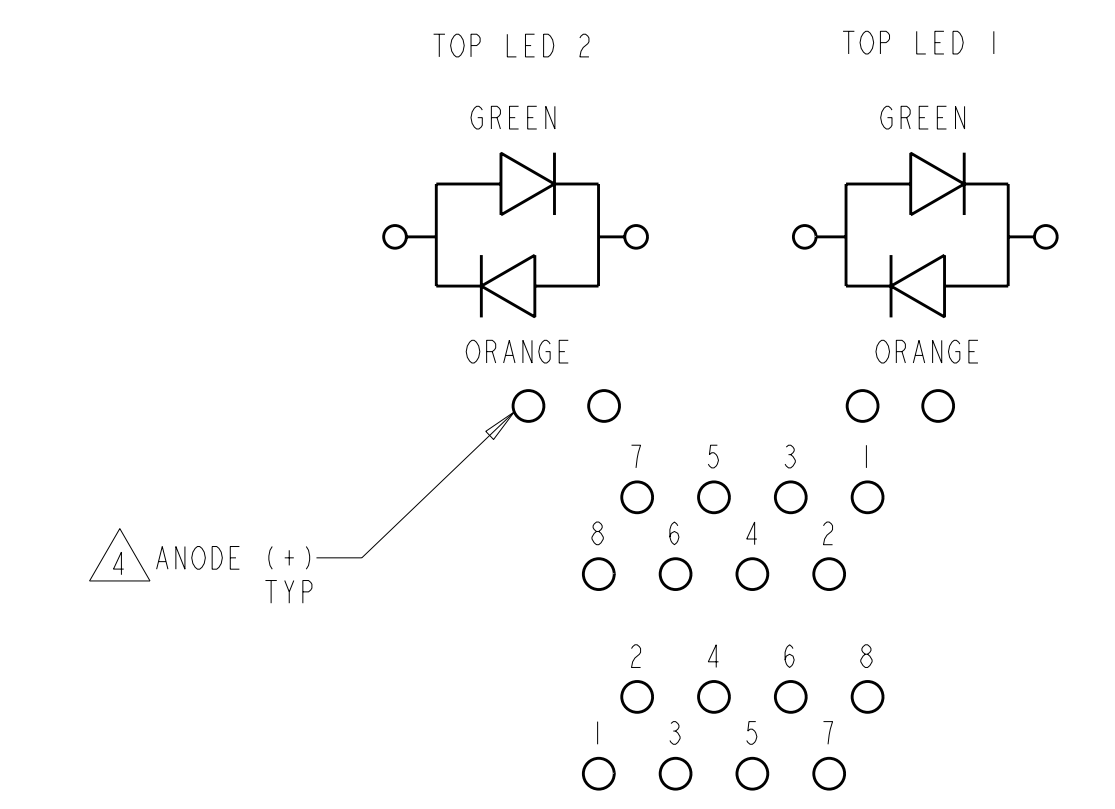
LOC	DIST	REV	DATE	BY	APPD
AA	00				



PC BOARD LAYOUT VIEWED FROM COMPONENTS SIDE OF BOARD  
 SCALE 4:1



SUGGESTED PANEL CUTOUT DIMENSIONS  
 SCALE 2:1



SCHMATIC FOR 6116314-1, -2, -3 & -13  
 SCALE 4:1

DIMENSIONS: mm 		TOLERANCES UNLESS OTHERWISE SPECIFIED: 9 PLC ±0.25 1 PLC ±0.25 2 PLC ±0.25 3 PLC ±0.25 4 PLC ±0.25 ANGLES ±0.25		DWN D. RINGLER 11SEP2005 CHK J. WESTMAN 11SEP2005 APVD S. FLICKINGER 11SEP2005 NAME ASSEMBLY, STACKED JACK, 2 x 6, 8 POSITION, SHIELDED, PANEL GROUND, LEADS, CATEGORY 5 PRODUCT SPEC 108-1163-2 APPLICATION SPEC 114-2154 SIZE CAGE CODE DRAWING NO. 114-2154 WEIGHT - CUSTOMER DRAWING		Tyco Electronics Harrisburg, PA 17105-3608 A1100779 ©=6116314 SCALE 1:1 SHEET 2 OF 2 REV D1	
-----------------------	--	---	--	--	--	--	--

## X-ON Electronics

Largest Supplier of Electrical and Electronic Components

*Click to view similar products for [Modular Connectors / Ethernet Connectors](#) category:*

*Click to view products by [TE Connectivity](#) manufacturer:*

Other Similar products are found below :

[8949-H88/06BLKA/SN](#) [74441-0010/BKN](#) [MP1010RX-1000](#) [MP44RX-1000](#) [PHJ-4P4C-1-V-4](#) [PHP-6P6C-5](#) [GAX-3-66](#) [GAX-8-62](#) [GDCX-PA-66-50](#) [GDCX-PN-64](#) [GDCX-PN-66](#) [GDCX-PN-66-50](#) [GDLX-A-66](#) [GDLX-N-66](#) [GDLX-S-66](#) [GDLX-S-88K](#) [GDTX-S-88-50](#) [GDX-PA-1010](#) [GLX-N-1010M-BLK](#) [GLX-S-88M-BLK](#) [GMX-N-1010](#) [GMX-S-1010](#) [GMX-S-66](#) [GMX-SMT4-N-88](#) [GPX-2-64](#) [GSGX-N-2-88](#) [GSGX-N-4-88](#) [GSX-NS2-88-3.05](#) [GSX-NS2-88-3.05-50](#) [GSX-NS-88-3.05-50](#) [PT-108A-8C-UL](#) [PT-J951-8C](#) [PTS-J531-8CS-50UL](#) [1-1775629-2](#) [A-2014-0-4](#) [GWLX-S-88-GR](#) [GWLX-S9-88-YG](#) [DC-1021-8-WH-6](#) [1300530003](#) [1324640-4](#) [RJ11FTVC2G](#) [RJ11FTVC2N](#) [RJFTVX2SA1G](#) [132764-001](#) [1413235](#) [MP88X-1000](#) [MPS88RX-5000](#) [E5288-S000K3-L](#) [E5908-15A242-L](#) [155302-001](#)