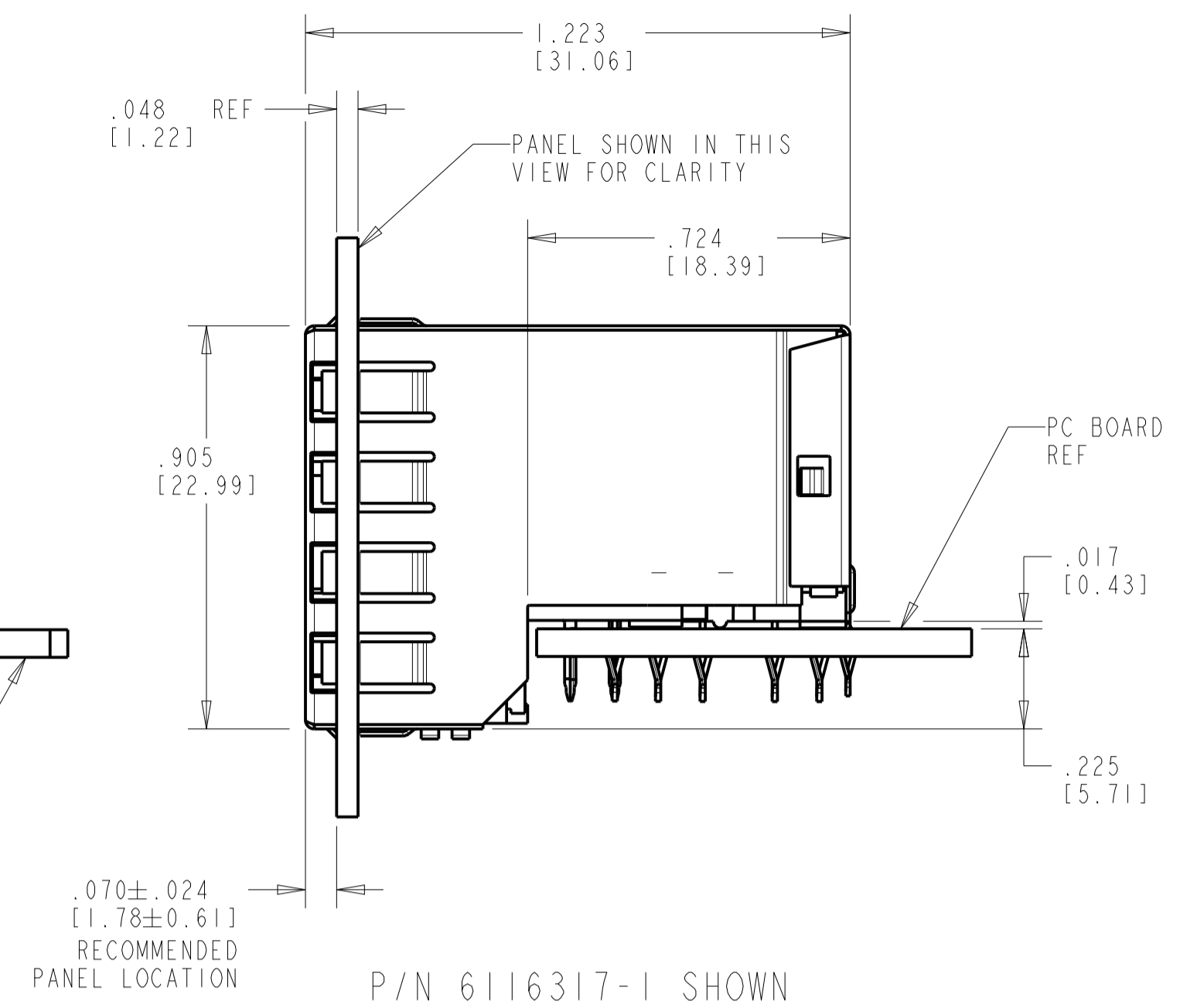
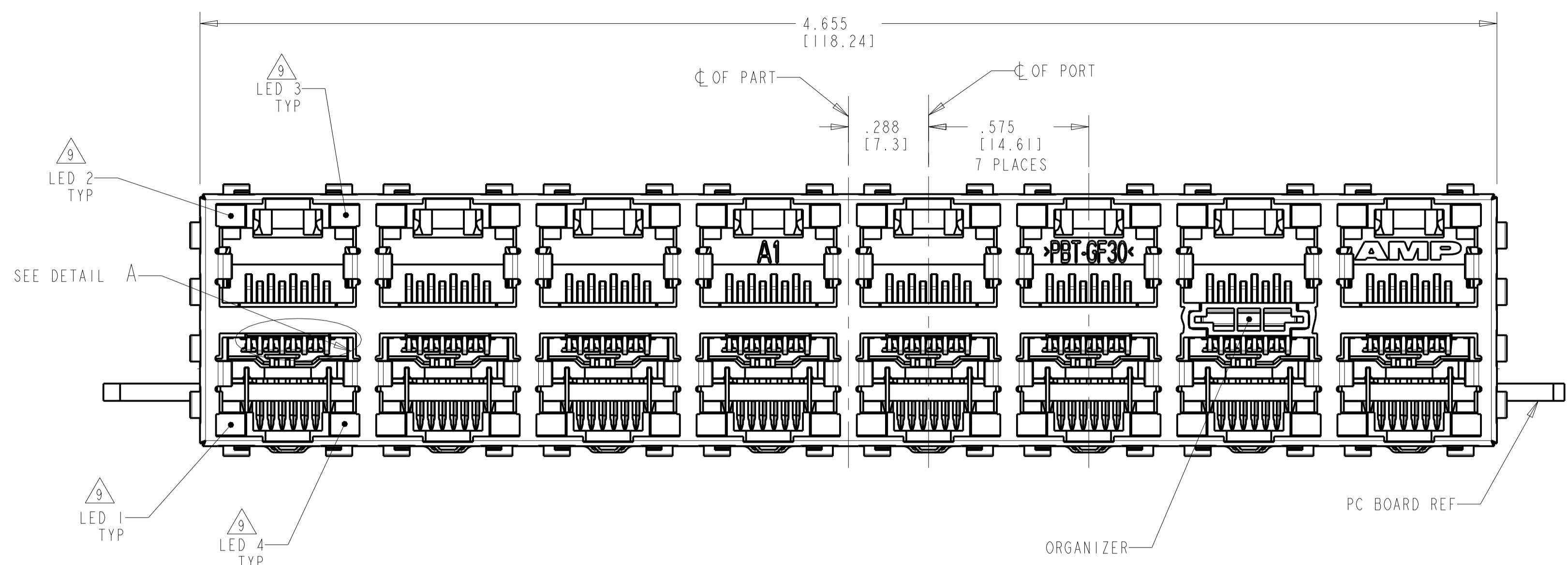
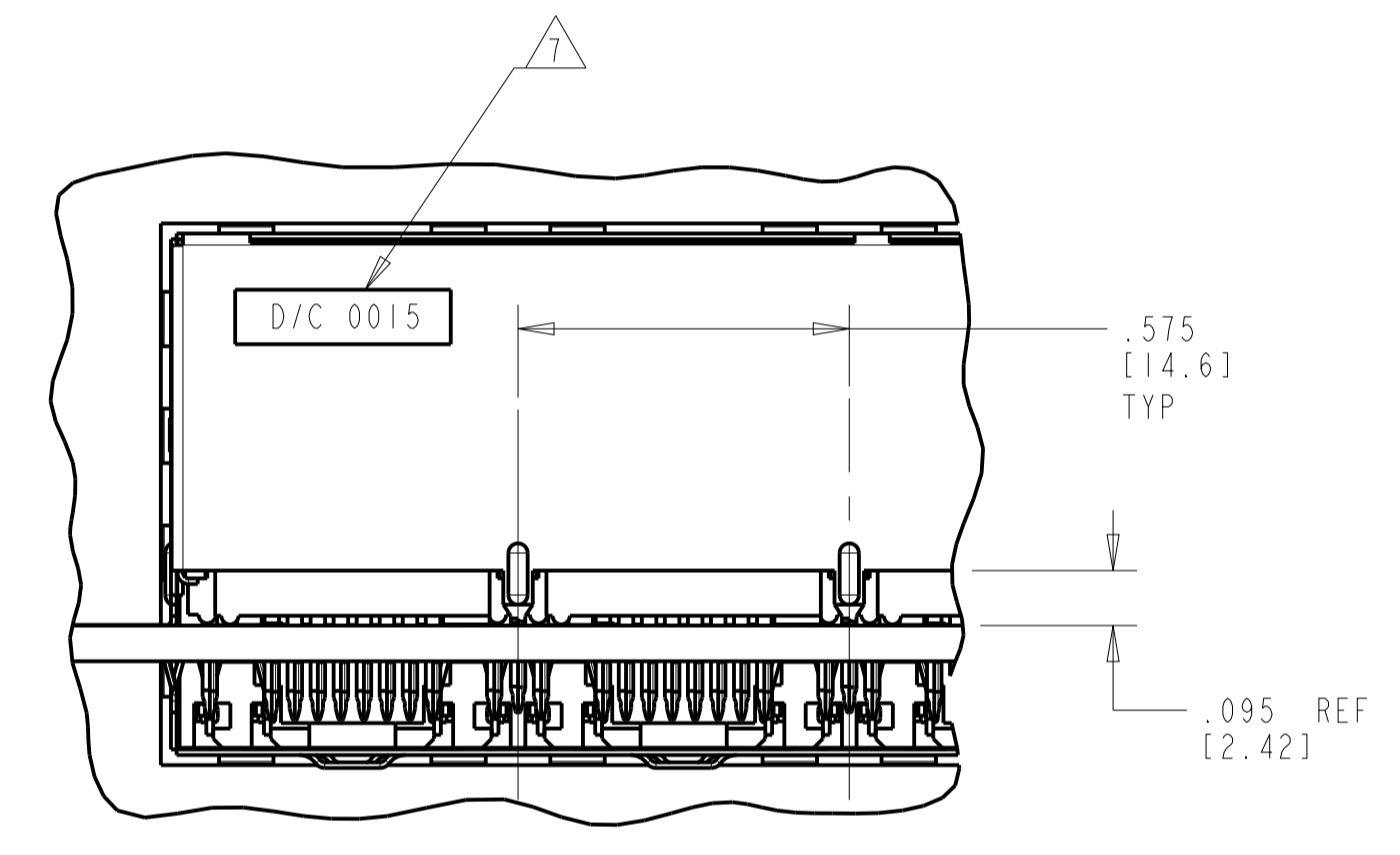
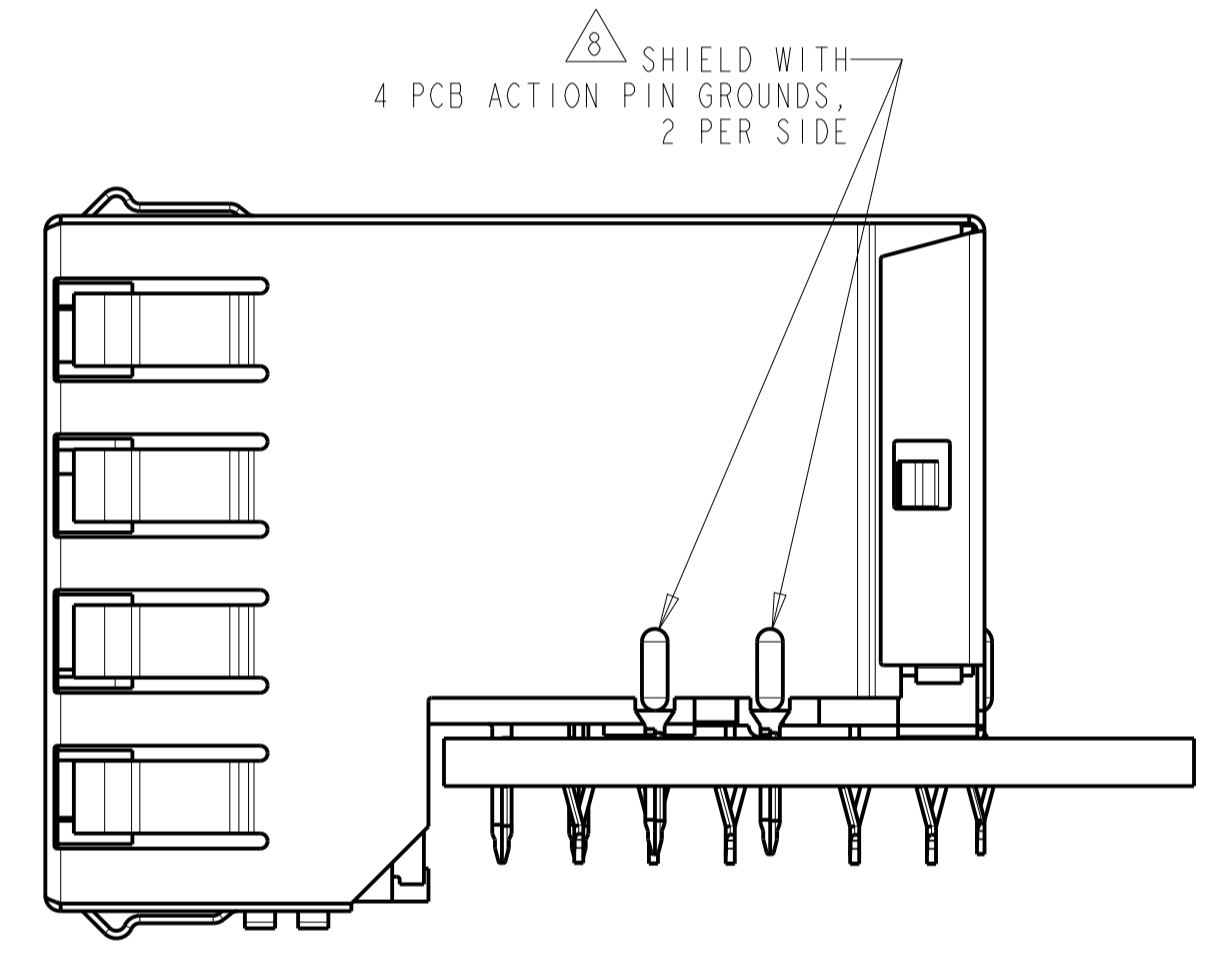
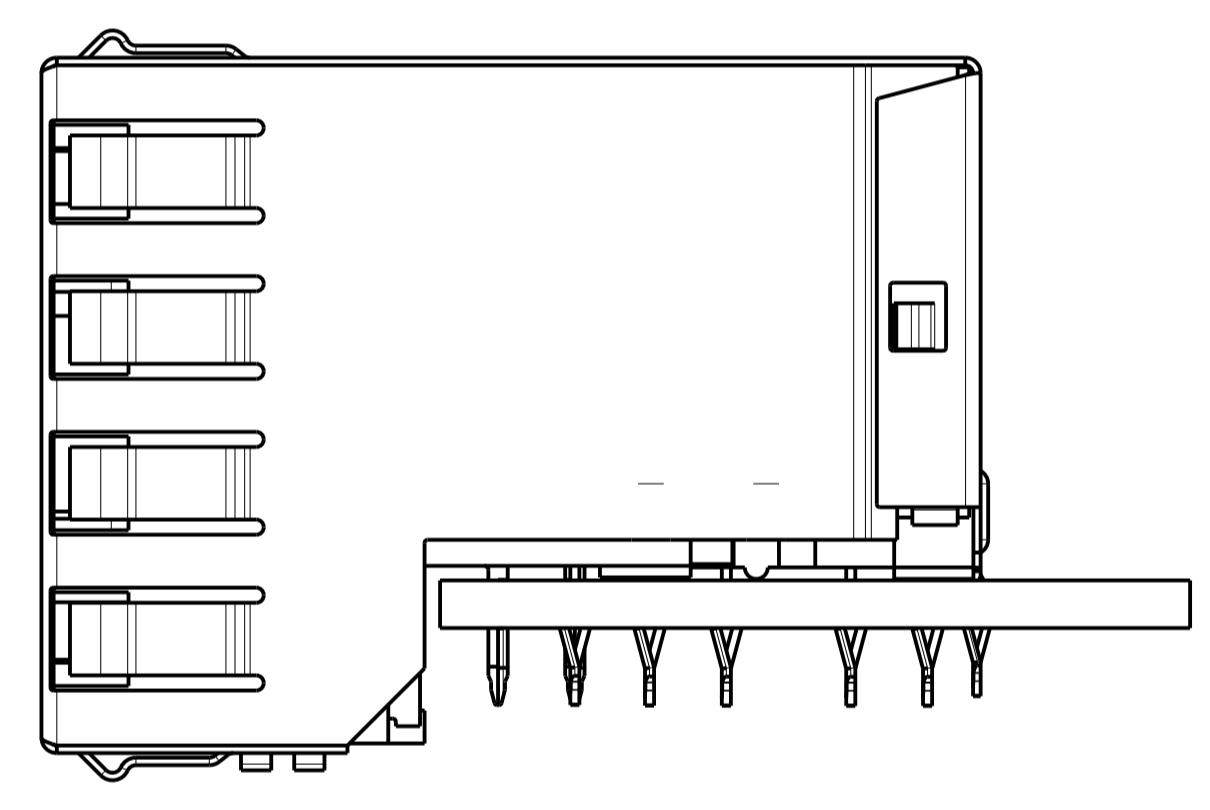


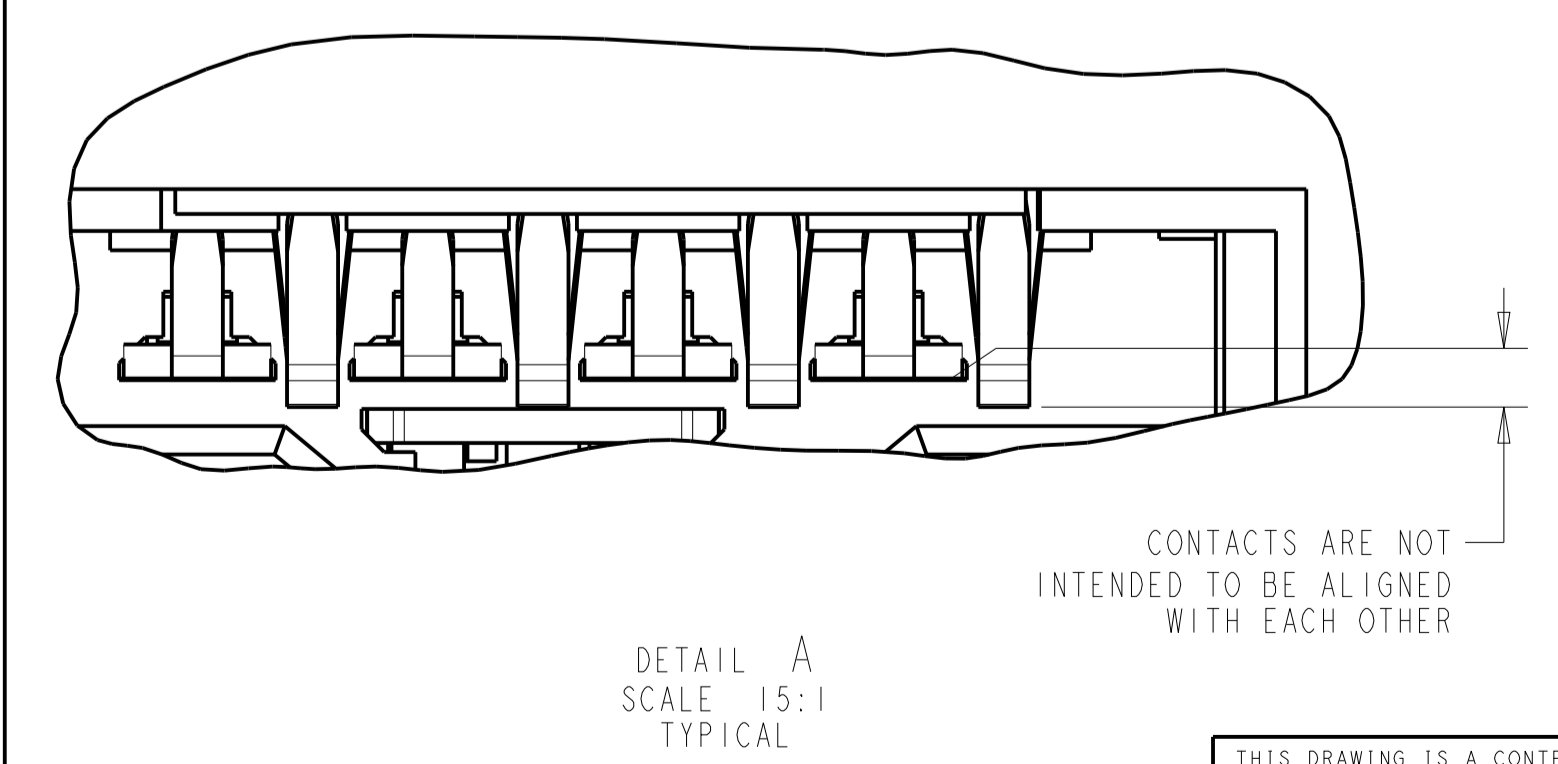
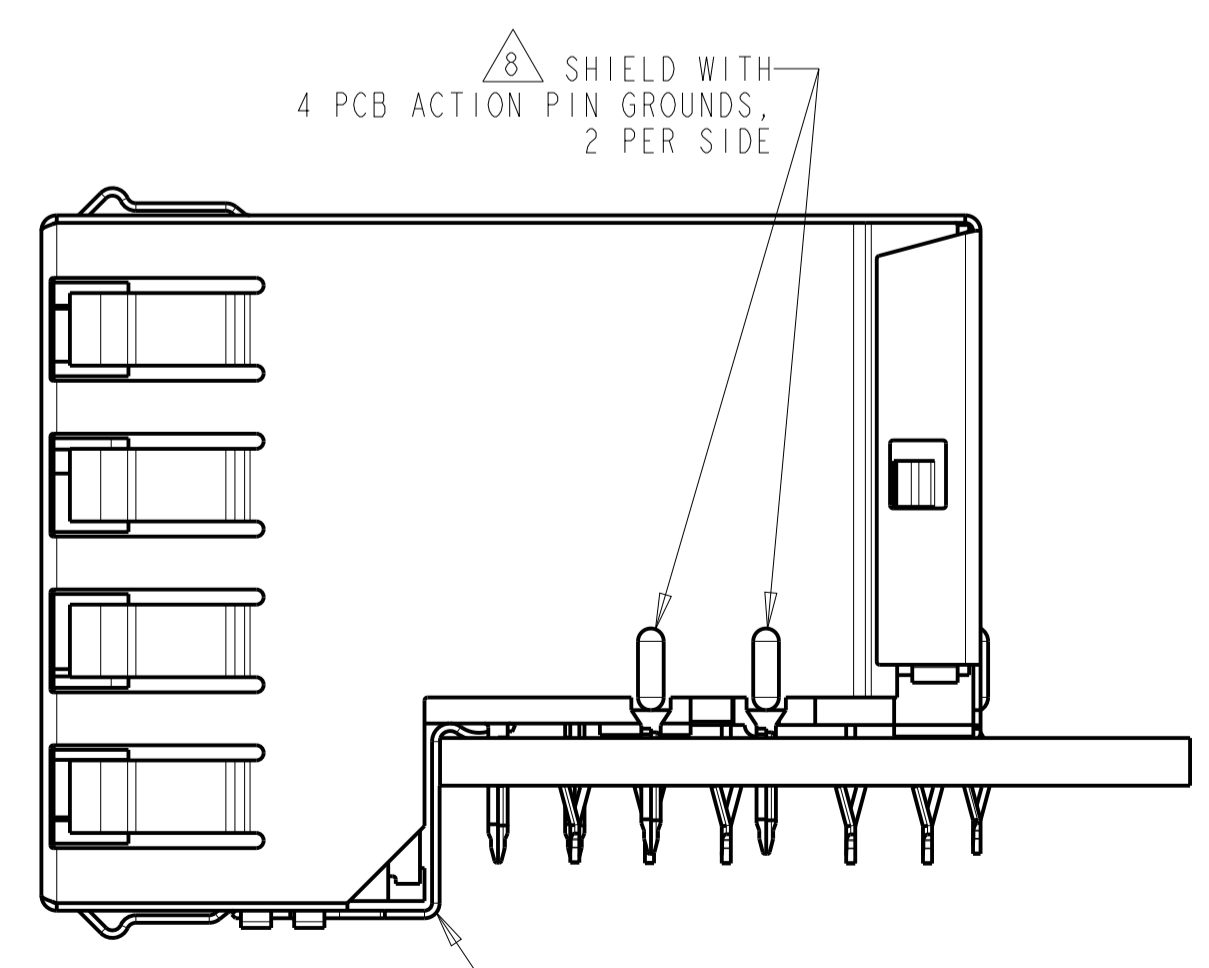
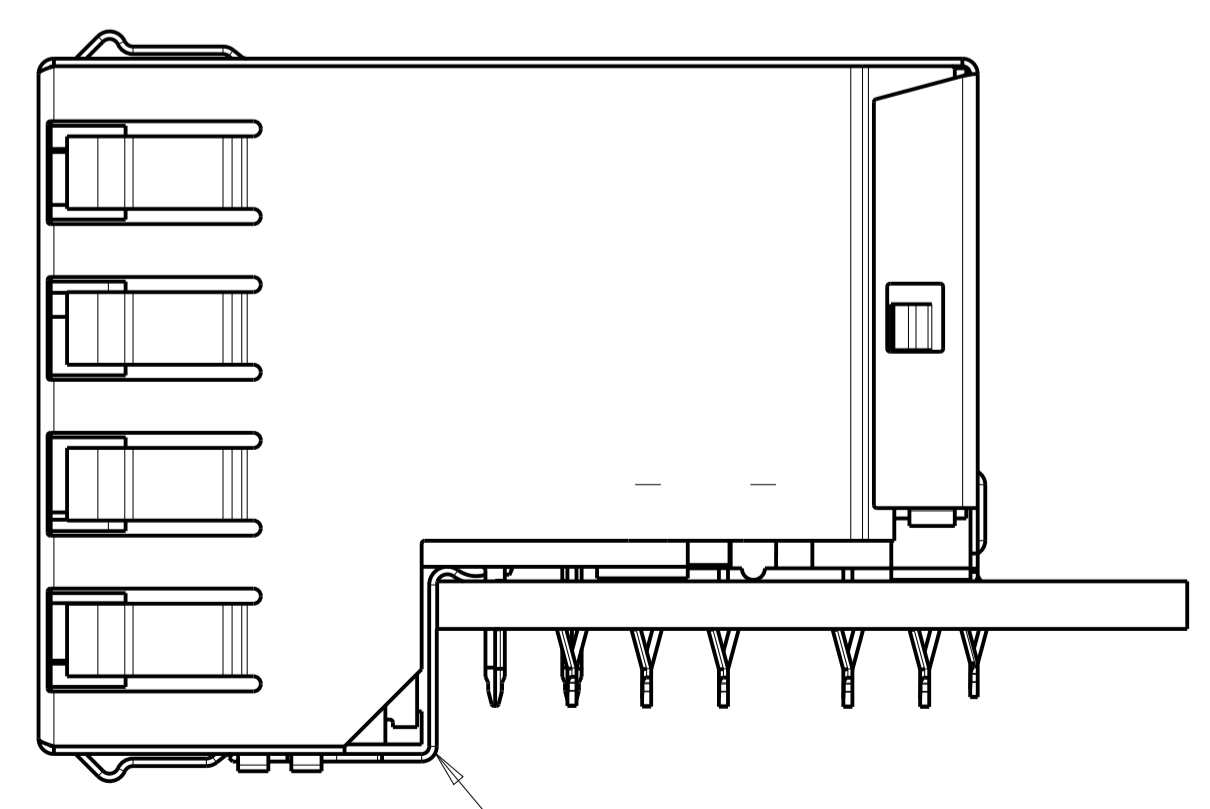
LOC	DIST	REVISIONS			
		REV	DATE	BY	APPV
AA	22	C2	REVISED PER ECO-11-005033	04MAY11	RK HMR
		D	ECO-15-006810	22JAN2016	LL SH
		D1	REVISED PER ECO-21-000623	28JUL2020	IT SH



- △ HOUSING: PBT POLYESTER, BLACK, UL 94V-0.
 - TERMINALS: 0.30 THICK PHOS BRONZE PLATED WITH 1.27µm MINIMUM THICK HARD GOLD IN LOCALIZED AREA AND 2µm MINIMUM THICK MATTE TIN IN ACTION PIN COMPLIANT PIN TERMINAL AREA OVER 1.27µm MINIMUM THICK NICKEL UNDERPLATE.
 - SHIELD: 0.25 THICK COPPER ALLOY PLATED WITH 1.27µm MINIMUM NICKEL.
 - GROUND CLIPS: 0.25 THICK COPPER ALLOY PLATED WITH 2.03µm MINIMUM MATTE TIN OVER 1.27µm MINIMUM NICKEL.
 - LIGHT EMITTING DIODE (LED): DIFFUSED EPOXY LENS, 12.95 CARBON STEEL WIREFRAME LEADS PLATED WITH 8.89µm TIN/COPPER OVER 2.03µm SILVER OVER 1.02µm COPPER OVER 3.56µm NICKEL OVER 1.02µm COPPER UNDERPLATE.
 - LED ACTION PIN COMPLIANT PIN CONTACTS: 0.30 THICK BRASS PLATED WITH 2µm MINIMUM MATTE TIN OVER 1.27µm MINIMUM NICKEL UNDERPLATE.
2. JACK CAVITY CONFORMS TO FCC RULES AND REGULATIONS, PART 68 SUBPART F.
 3. ALL DIMENSIONS ARE NOMINAL UNLESS OTHERWISE SPECIFIED.
 4. TWO LEDS PER PORT, SIZE .079 X .118, SEE TABLE.
 - △ 5. DRILLED HOLE DIA = .040±.001. COPPER THICKNESS = .001-.003. TIN THICKNESS = .0003 MIN.
 - △ 6. DATUMS AND BASIC DIMENSIONS ESTABLISHED BY CUSTOMER.
 - △ 7. DATE CODE LOCATED ON REAR OF PART APPROXIMATELY AS SHOWN.
 - △ 8. THESE FOUR SIDE PCB ACTION PIN GROUNDS AND CORRESPONDING PCB HOLES ARE REQUIRED ONLY ON 6116317-2, 6116317-3, 6116317-5, 6116317-6, 6116317-7,-9 AND 1--0.
 - △ 9. SUGGESTED OPERATING CURRENT FOR LEDS IS 20 mA.



LED #4 (LOWER-RIGHT)	LED #3 (UPPER-RIGHT)	LED #2 (UPPER-LEFT)	LED #1 (LOWER-LEFT)	PART NO.
RED/GREEN	RED/GREEN	RED/GREEN	RED/GREEN	1-6116317-0
GREEN/YELLOW	GREEN/YELLOW	RED/GREEN	RED/GREEN	6116317-9
GREEN/YELLOW	GREEN/YELLOW	RED/GREEN	RED/GREEN	6116317-8
GREEN	GREEN	YELLOW	YELLOW	6116317-7
YELLOW	YELLOW	GREEN	GREEN	6116317-6
GREEN/YELLOW	GREEN/YELLOW	GREEN/YELLOW	GREEN/YELLOW	6116317-5
GREEN	GREEN	GREEN	GREEN	6116317-4
GREEN	GREEN	GREEN	GREEN	6116317-3
GREEN	GREEN	GREEN	GREEN	6116317-2
GREEN	GREEN	GREEN	GREEN	6116317-1



8	4	△ 8	1-6116317-0
8	4	△ 8	6116317-9
NONE	NONE	△ 8	6116317-8
NONE	4	△ 8	6116317-7
NONE	4	△ 8	6116317-6
NONE	4	△ 8	6116317-5
8	NONE	△ 8	6116317-4
8	4	△ 8	6116317-3
NONE	4	△ 8	6116317-2
NONE	NONE	△ 8	6116317-1
GROUND CLIPS	SIDE PCB ACTION PIN GNDS		PART NUMBER

THIS DRAWING IS A CONTROLLED DOCUMENT.

OWN: L. VARELA - DOCKS 23 JUN 2005
 CHG: J. WESTMAN 23 JUN 2005
 APVD: S. FLICKINGER 23 JUN 2005

DIMENSIONS: INCHES(mm)
 TOLERANCES UNLESS OTHERWISE SPECIFIED:
 0 PLC ±
 1 PLC ±
 2 PLC ±.005 (0.13)
 3 PLC ±.005 (0.13)
 4 PLC ±
 ANGLES ±

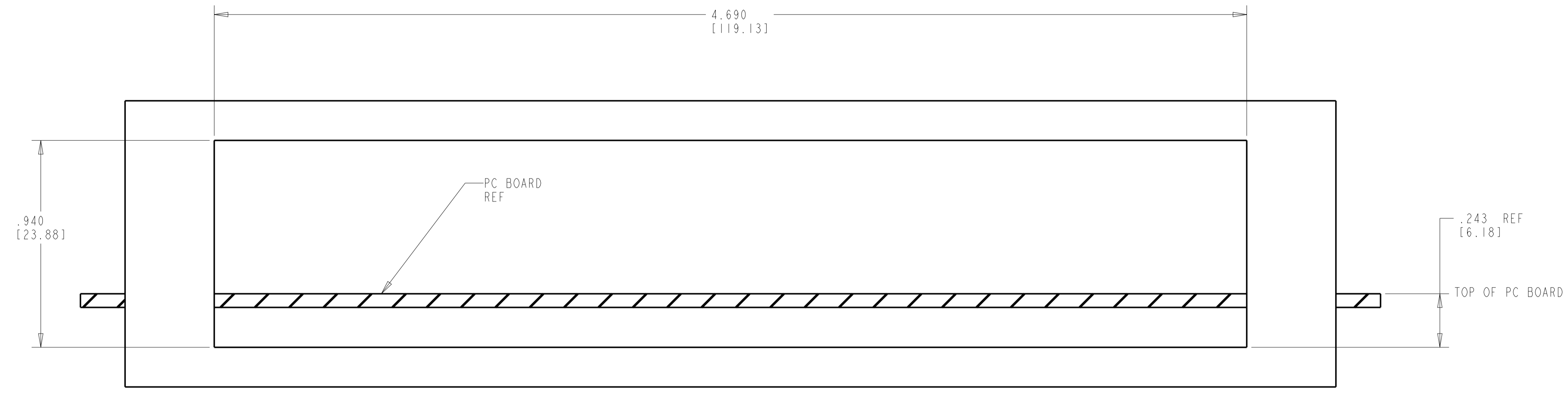
MATERIAL: △
 FINISH: △

WEIGHT: 1 = 77.2 grams
 CUSTOMER DRAWING

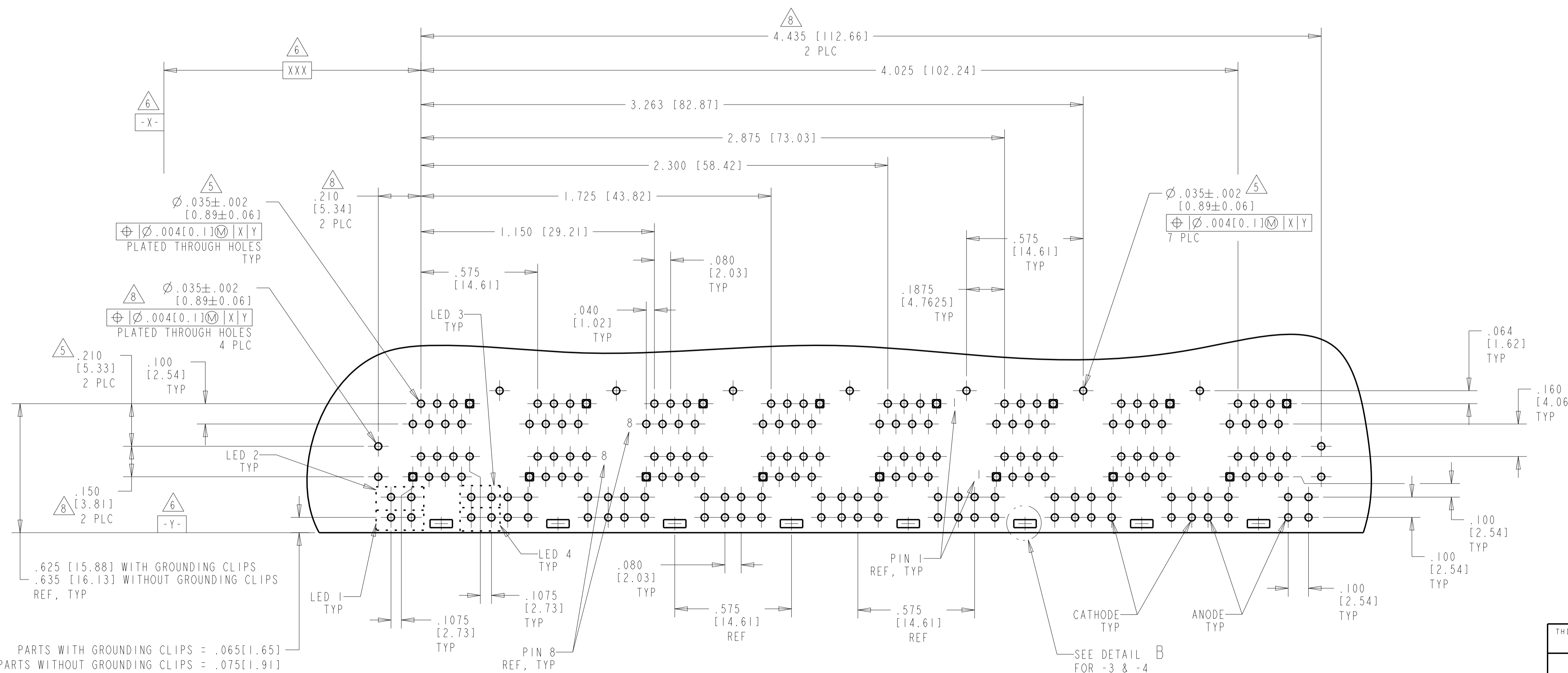
NAME: STACKED MODULAR JACK ASSEMBLY, 2X8 WITH LEDS, 8 POSITION, SHIELDED PANEL GROUND, OFFSET, CAT 5
 PRODUCT SPEC: 108-1854
 APPLICATION SPEC: 114-2160
 SIZE: A1
 CAGE CODE: 00779
 DRAWING NO: 6116317

RESTRICTED TO: SCALE 3:1 SHEET 1 OF 3 REV D

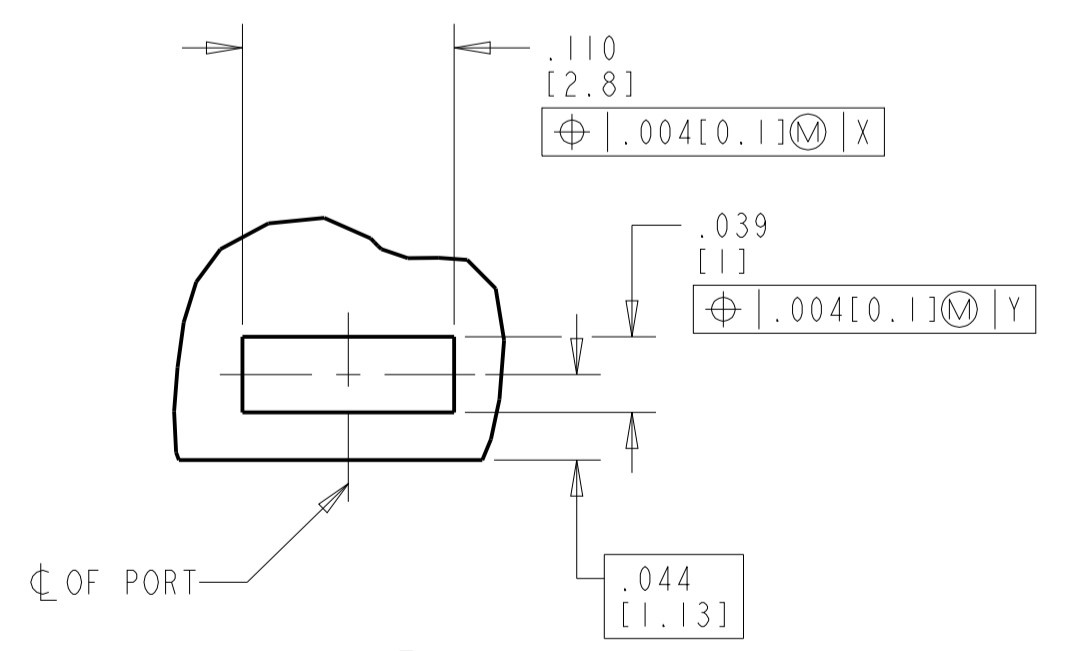
LOC		DIST		REVISIONS				
AA	22	P	LTN	DESCRIPTION	DATE	DWN	APVD	
		-		SEE SHEET 1				



RECOMMENDED PANEL CUT-OUT



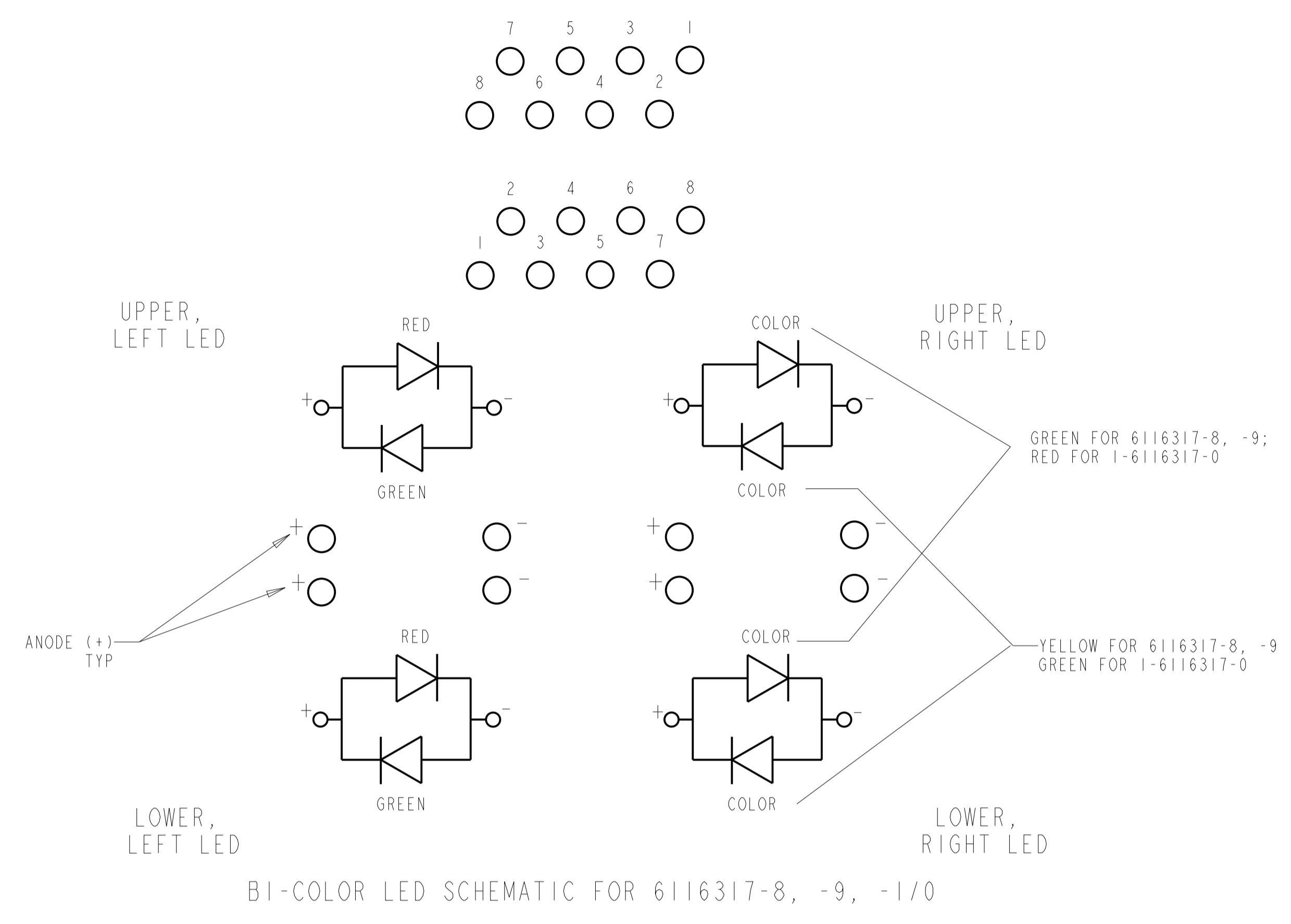
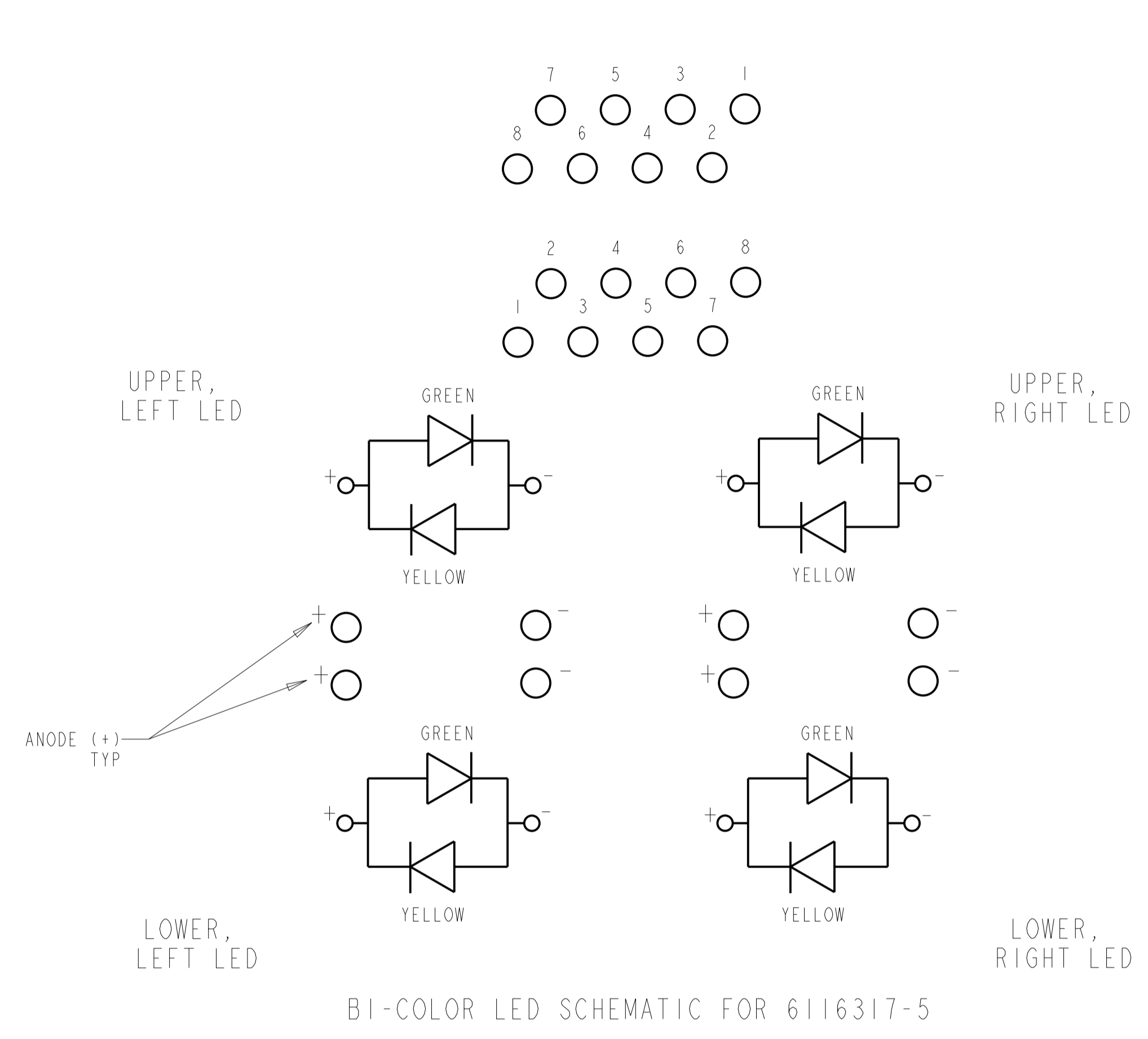
PC BOARD LAYOUT
(COMPONENT SIDE)



DETAIL B
 THESE PLATED PADS REQUIRED FOR 6116317-3 & -4
 PRODUCTS WITH GROUNDING CLIPS
 SCALE 10:1
 8 PLACES

THIS DRAWING IS A CONTROLLED DOCUMENT.		OWN L. VARELA	23 JUN 2005	TE Connectivity
DIMENSIONS: INCHES(mm)		CHK J. WESTMAN	23 JUN 2005	
TOLERANCES UNLESS OTHERWISE SPECIFIED:		APVD S. FLICKINGER	23 JUN 2005	NAME STACKED MODULAR JACK ASSEMBLY, 2X8 WITH LEDs, 8 POSITION, SHIELDED PANEL GROUND, OFFSET, CAT 5
0 PLC ± 1 PLC ± 2 PLC ± 3 PLC ±.005 [0.13] 4 PLC ±.005 [0.13] ANGLES ±		PRODUCT SPEC 108-1854	APPLICATION SPEC	
MATERIAL	FINISH	WEIGHT	114-2160	SIZE A1
		77.2 grams	CUSTOMER DRAWING	CAGE CODE DRAWING NO 00779
		SCALE	3:1	RESTRICTED TO
		SHEET	2 OF 3	REV D

LOC		DIST		REVISONS			
AA	22	P.	LTH	DESCRIPTION	DATE	DWN	APVD
		-		SEE SHEET 1			



THIS DRAWING IS A CONTROLLED DOCUMENT.		DWN	L. VARELA	23 JUN 2005	TE Connectivity
DIMENSIONS: INCHES(mm)		CHK	J. WESTMAN	23 JUN 2005	
DIMENSIONS: INCHES(mm) 0 PLC ±. 2 PLC ±. 3 PLC ±. 4 PLC ±.005 [0.13] ANGLES ±.		TOLERANCES UNLESS OTHERWISE SPECIFIED: 0 PLC ±. 2 PLC ±. 3 PLC ±. 4 PLC ±.005 [0.13] ANGLES ±.		NAME STACKED MODULAR JACK ASSEMBLY, 2X8 WITH LEDS, 8 POSITION, SHIELDED PANEL GROUND, OFFSET, CAT 5	RESTRICTED TO A1 00779 ©=6116317
MATERIAL		FINISH		PRODUCT SPEC 108-1854 APPLICATION SPEC 114-2160 WEIGHT 77.2 grams	
CUSTOMER DRAWING					

X-ON Electronics

Largest Supplier of Electrical and Electronic Components

Click to view similar products for [Modular Connectors / Ethernet Connectors](#) category:

Click to view products by [TE Connectivity](#) manufacturer:

Other Similar products are found below :

[8949-H88/06BLKA/SN](#) [74441-0010/BKN](#) [MP1010RX-1000](#) [MP44RX-1000](#) [PHJ-4P4C-1-V-4](#) [PHP-6P6C-5](#) [GAX-3-66](#) [GAX-8-62](#) [GDCX-PA-66-50](#) [GDCX-PN-64](#) [GDCX-PN-66](#) [GDCX-PN-66-50](#) [GDLX-A-66](#) [GDLX-N-66](#) [GDLX-S-66](#) [GDLX-S-88K](#) [GDTX-S-88-50](#) [GDX-PA-1010](#) [GLX-N-1010M-BLK](#) [GLX-S-88M-BLK](#) [GMX-N-1010](#) [GMX-S-1010](#) [GMX-S-66](#) [GMX-SMT4-N-88](#) [GPX-2-64](#) [GSGX-N-2-88](#) [GSGX-N-4-88](#) [GSX-NS2-88-3.05](#) [GSX-NS2-88-3.05-50](#) [GSX-NS-88-3.05-50](#) [PT-108A-8C-UL](#) [PT-J951-8C](#) [PTS-J531-8CS-50UL](#) [1-1775629-2](#) [A-2014-0-4](#) [GWLX-S-88-GR](#) [GWLX-S9-88-YG](#) [DC-1021-8-WH-6](#) [1300530003](#) [1324640-4](#) [RJ11FTVC2G](#) [RJ11FTVC2N](#) [RJFTVX2SA1G](#) [132764-001](#) [1413235](#) [MP88X-1000](#) [MPS88RX-5000](#) [E5288-S000K3-L](#) [E5908-15A242-L](#) [155302-001](#)