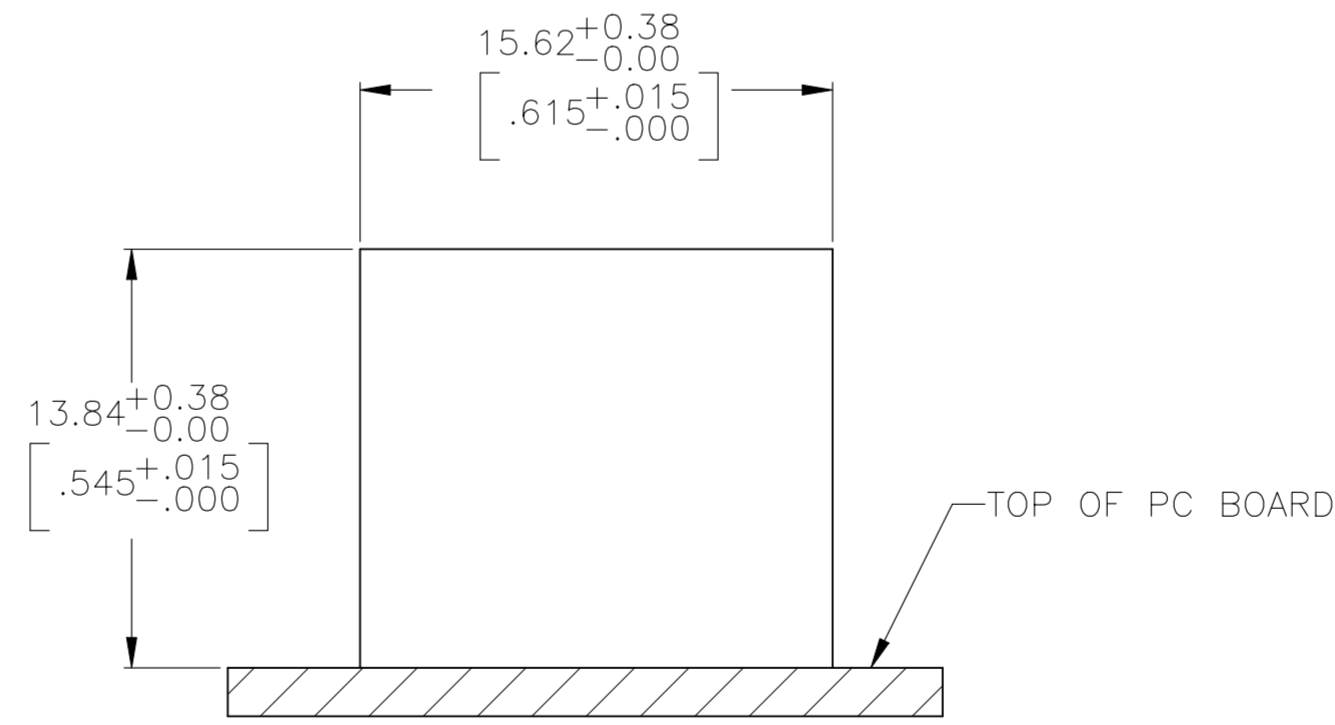
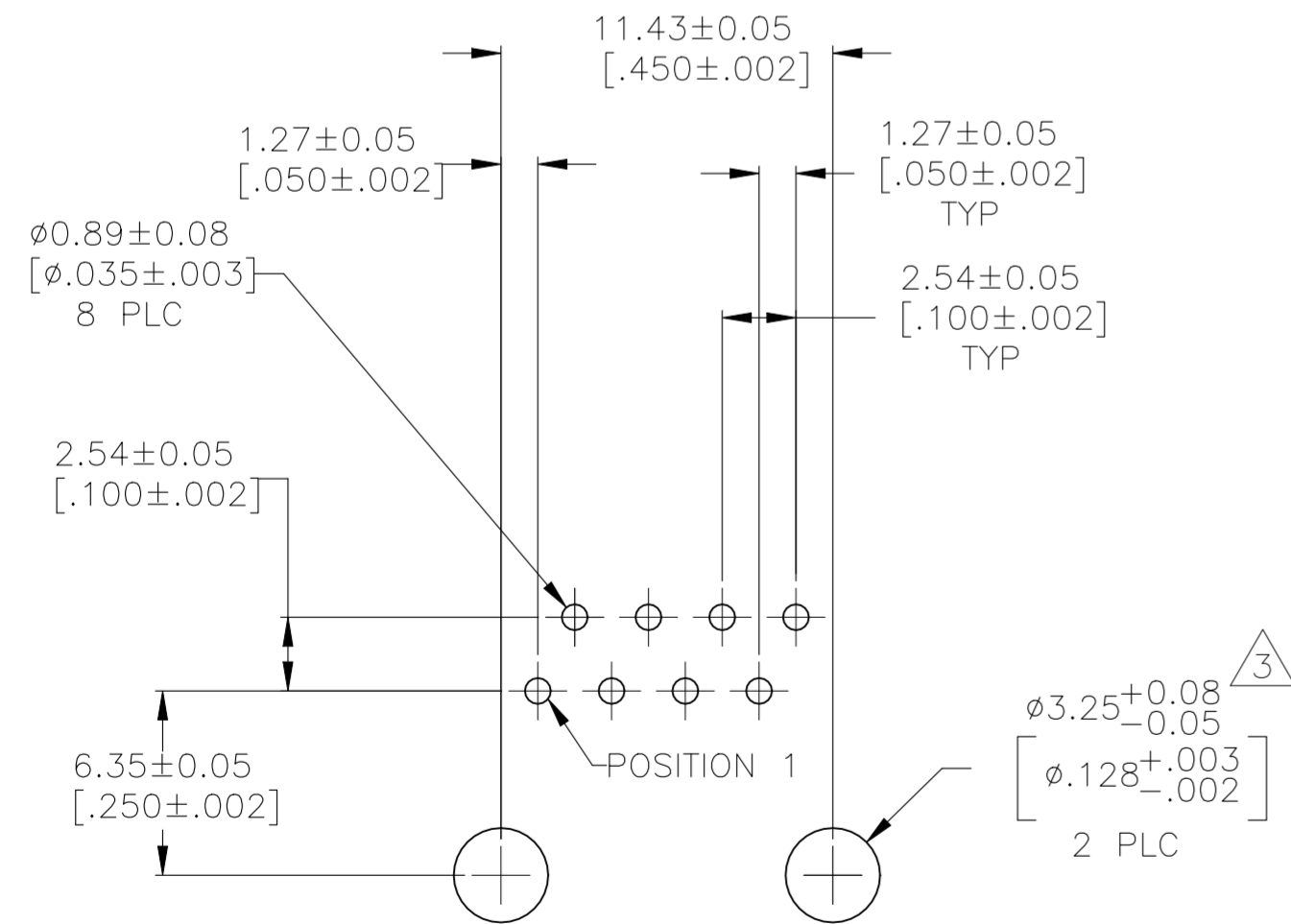
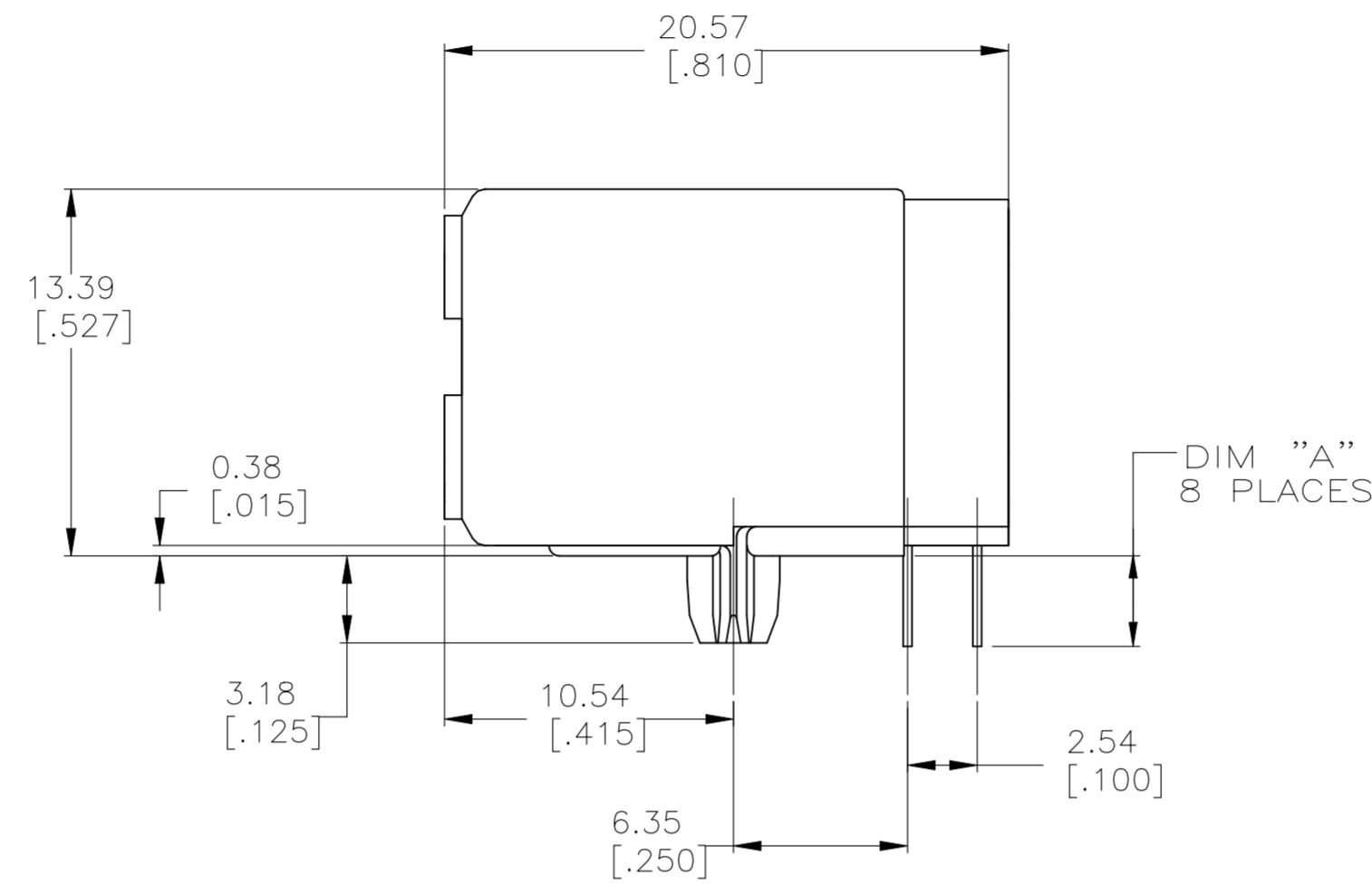
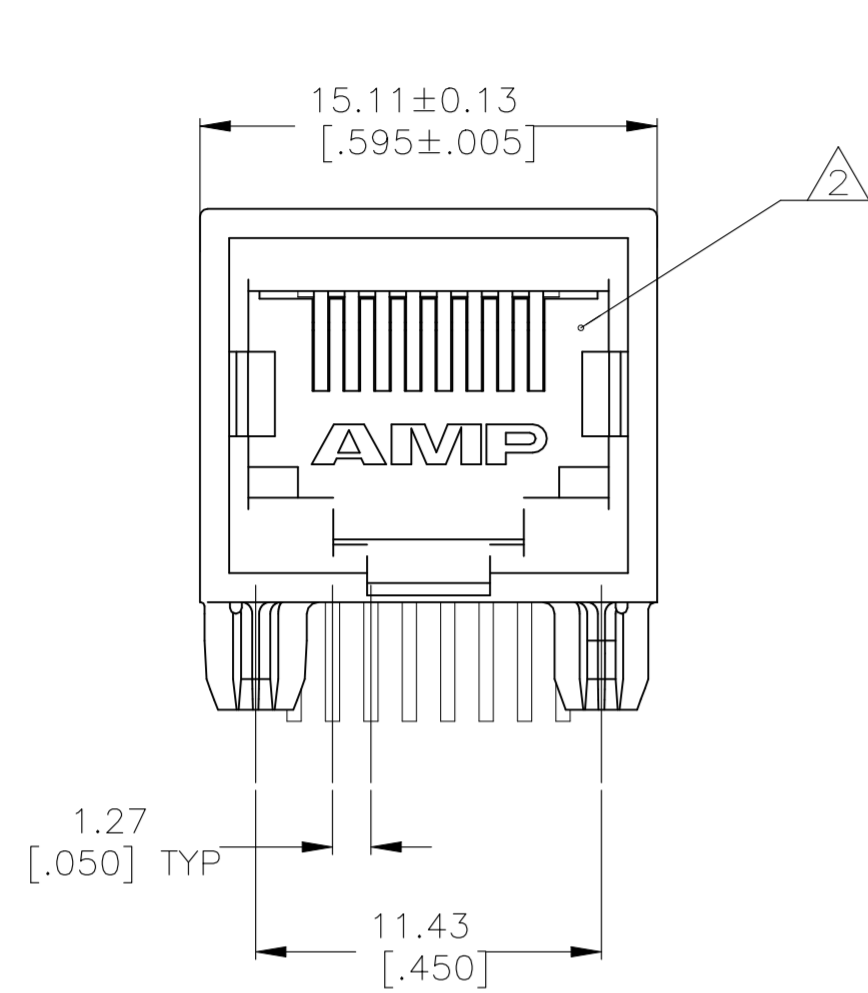


REVISIONS					
P	LTR	DESCRIPTION	DATE	DWN	APVD
C1		ECR-19-014657	13DEC2020	RR	SZ

- MATERIAL: HOUSING - HIGH TEMPERATURE NYLON, COLOR: BLACK, UL 94-V0
OVERMOLDED TERMINAL ARRAY - PBT, BROWN
TERMINALS - 0.33[.013] THICK PHOS BRONZE
PLATED WITH 1.27 μ m[.000050] MINIMUM THICK
HARD GOLD IN LOCALIZED AREA AND 3.81 μ m
[.000150] MINIMUM THICK MATTE TIN IN SOLDER
AREA OVER 1.27 μ m[.000050] MINIMUM THICK
NICKEL UNDERPLATE.

$\triangle 2$ JACK CAVITY CONFORMS TO FCC RULES AND REGULATIONS, PART 68 SUBPART F.

$\triangle 3$ USE #30 DRILL BIT OR 3.25mm DRILL BIT WHEN PRODUCING THESE PCB HOLES.



SUGGESTED PANEL CUTOUT

SUGGESTED PC BOARD LAYOUT COMPONENT SIDE

3.05±0.38 [.120±.015]	6116518-2
3.56±0.38 [.140±.015]	6116518-1
DIM "A"	
PART NUMBER	

THIS DRAWING IS A CONTROLLED DOCUMENT.		DWN	21MAY2005	DL DRUMMOND/L.A.MAYER	TE Connectivity	
DIMENSIONS: mm [INCHES]		CHK	21MAY2005	J.WESTMAN	NAME	
TOLERANCES UNLESS OTHERWISE SPECIFIED:		APVD	21MAY2005	S.FLICKINGER	PRODUCT SPEC	
0 PLC	± -	APPLICATION SPEC		108-1163-2	MODULAR JACK ASSEMBLY, 8 POSITION, RIGHT ANGLE, LOW PROFILE, CATEGORY 5e	
1 PLC	± -	MATERIAL		114-2048	SIZE	CAGE CODE
2 PLC	± 0.25[.010]	FINISH		0.000000	A2	00779
3 PLC	± -	SEE NOTE 1		CUSTOMER DRAWING	DRAWING NO	
4 PLC	± -	SEE NOTE 1		SCALE	C=6116518	
ANGLES	± -	SEE NOTE 1		4:1	SHEET	
MATERIAL		FINISH		CUSTOMER DRAWING		1 OF 1
SEE NOTE 1		SEE NOTE 1		CUSTOMER DRAWING		REV
SEE NOTE 1		SEE NOTE 1		CUSTOMER DRAWING		C1

X-ON Electronics

Largest Supplier of Electrical and Electronic Components

Click to view similar products for [Modular Connectors / Ethernet Connectors](#) category:

Click to view products by [TE Connectivity](#) manufacturer:

Other Similar products are found below :

[8949-H88/06BLKA/SN](#) [74441-0010/BKN](#) [MP1010RX-1000](#) [MP44RX-1000](#) [PHJ-4P4C-1-V-4](#) [PHP-6P6C-5](#) [GAX-3-66](#) [GAX-8-62](#) [GDCX-PA-66-50](#) [GDCX-PN-64](#) [GDCX-PN-66](#) [GDCX-PN-66-50](#) [GDLX-A-66](#) [GDLX-N-66](#) [GDLX-S-66](#) [GDLX-S-88K](#) [GDLX-SMT-S-88](#) [GDTX-S-88-50](#) [GDX-PA-1010](#) [GLX-N-1010M-BLK](#) [GLX-S-88M-BLK](#) [GMX-N-1010](#) [GMX-S-1010](#) [GMX-S-66](#) [GMX-SMT4-N-88](#) [GPX-2-64](#) [GSGX-N-2-88](#) [GSGX-N-4-88](#) [GSX-NS2-88-3.05](#) [GSX-NS2-88-3.05-50](#) [GSX-NS-88-3.05-50](#) [PT-108A-8C-UL](#) [PT-J951-8C](#) [PTS-J531-8CS-50UL](#) [1-1775629-2](#) [A-2014-0-4](#) [GWLX-S-88-GR](#) [GWLX-S9-88-YG](#) [DC-1021-8-WH-6](#) [1300530003](#) [1324640-4](#) [RJ11FTVC2G](#) [RJ11FTVC2N](#) [RJFTVX2SA1G](#) [132764-001](#) [1413235](#) [MP88X-1000](#) [MPS88RX-5000](#) [E5288-S000K3-L](#) [E5908-15A242-L](#)