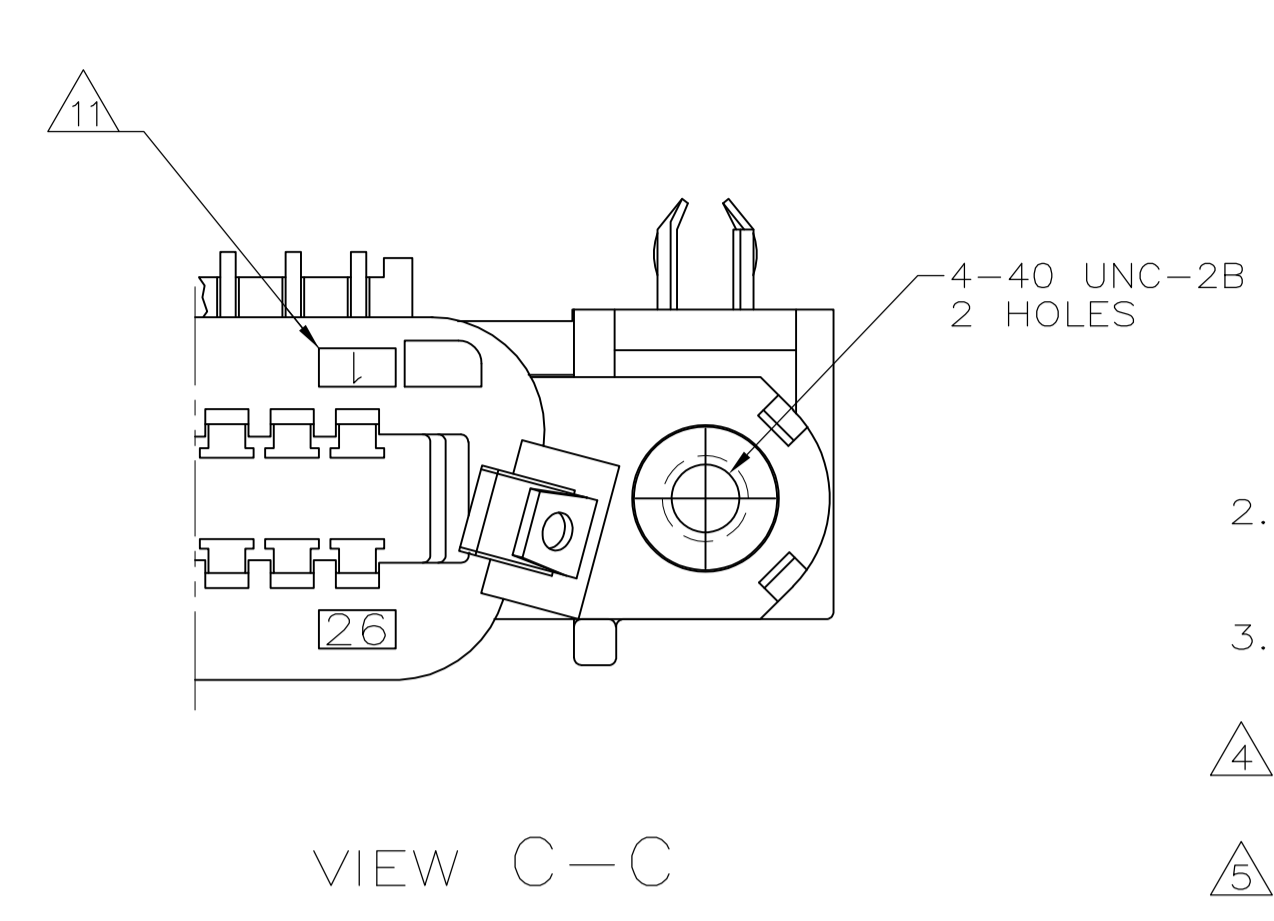
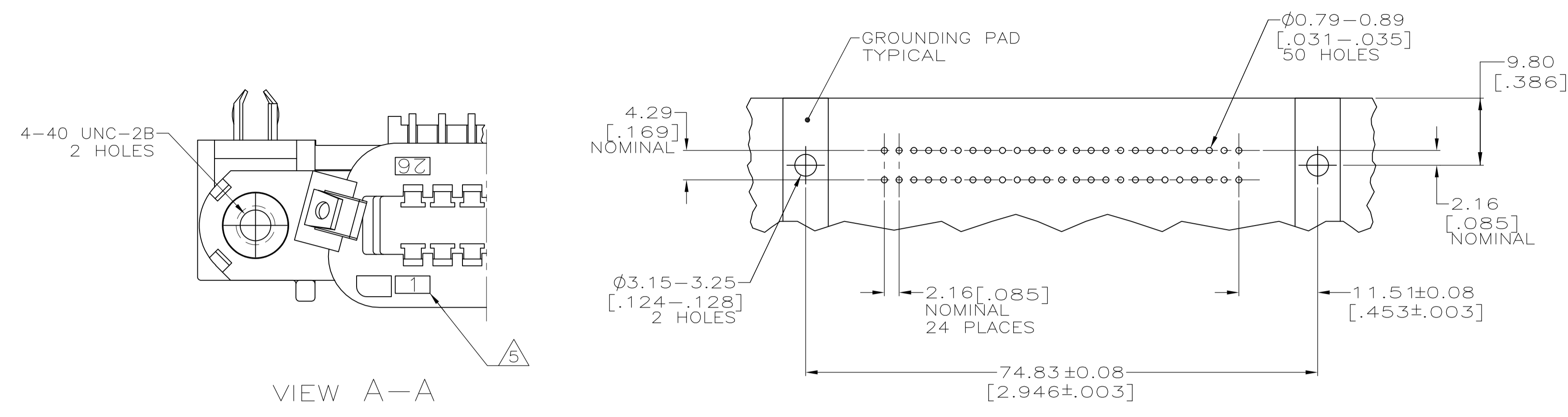
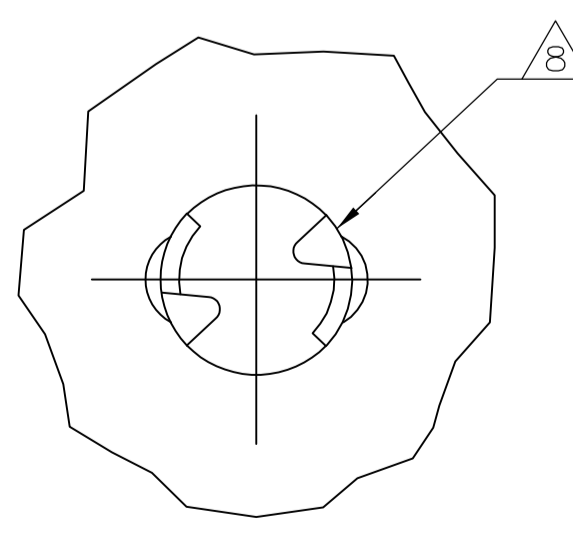
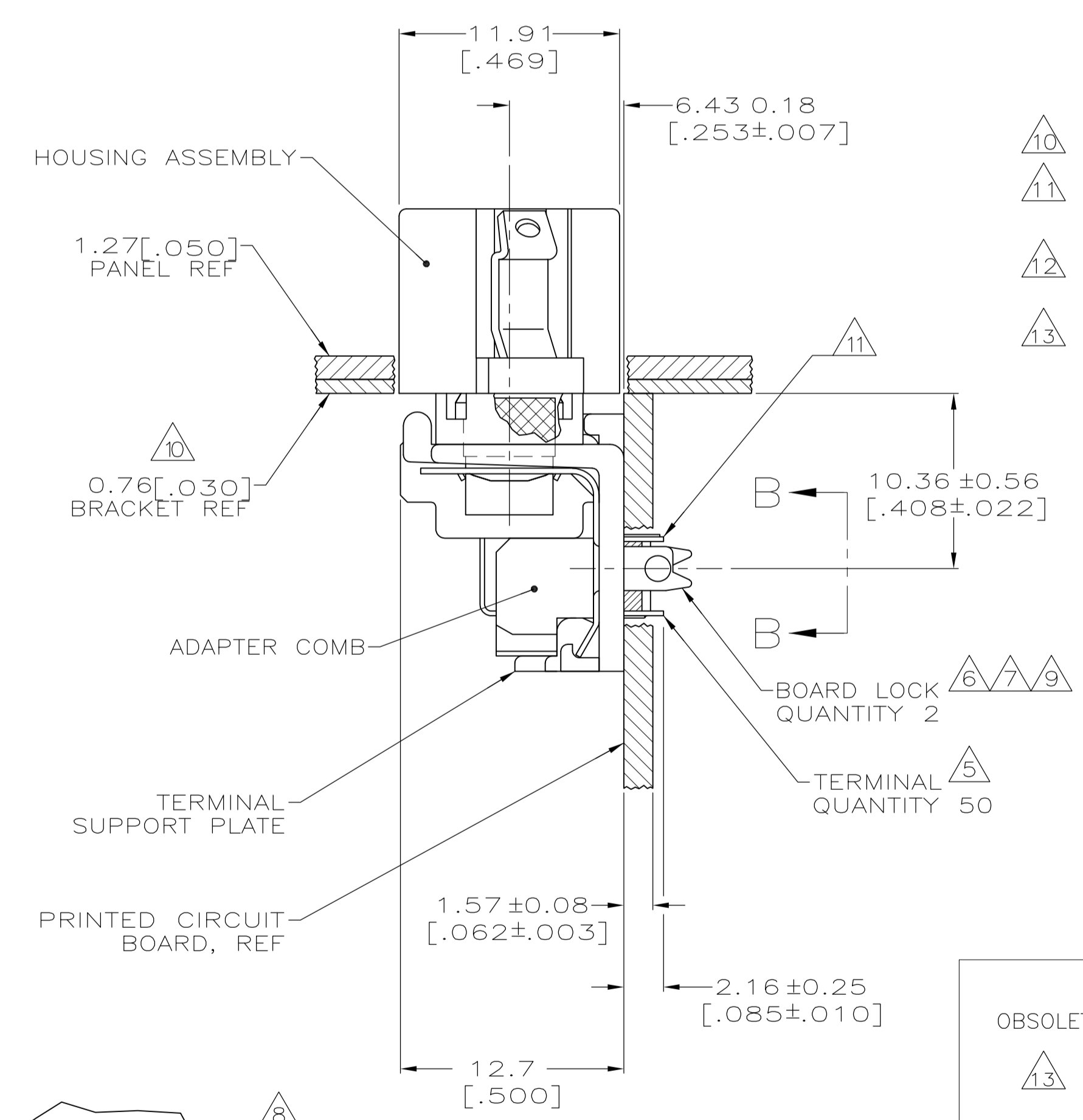
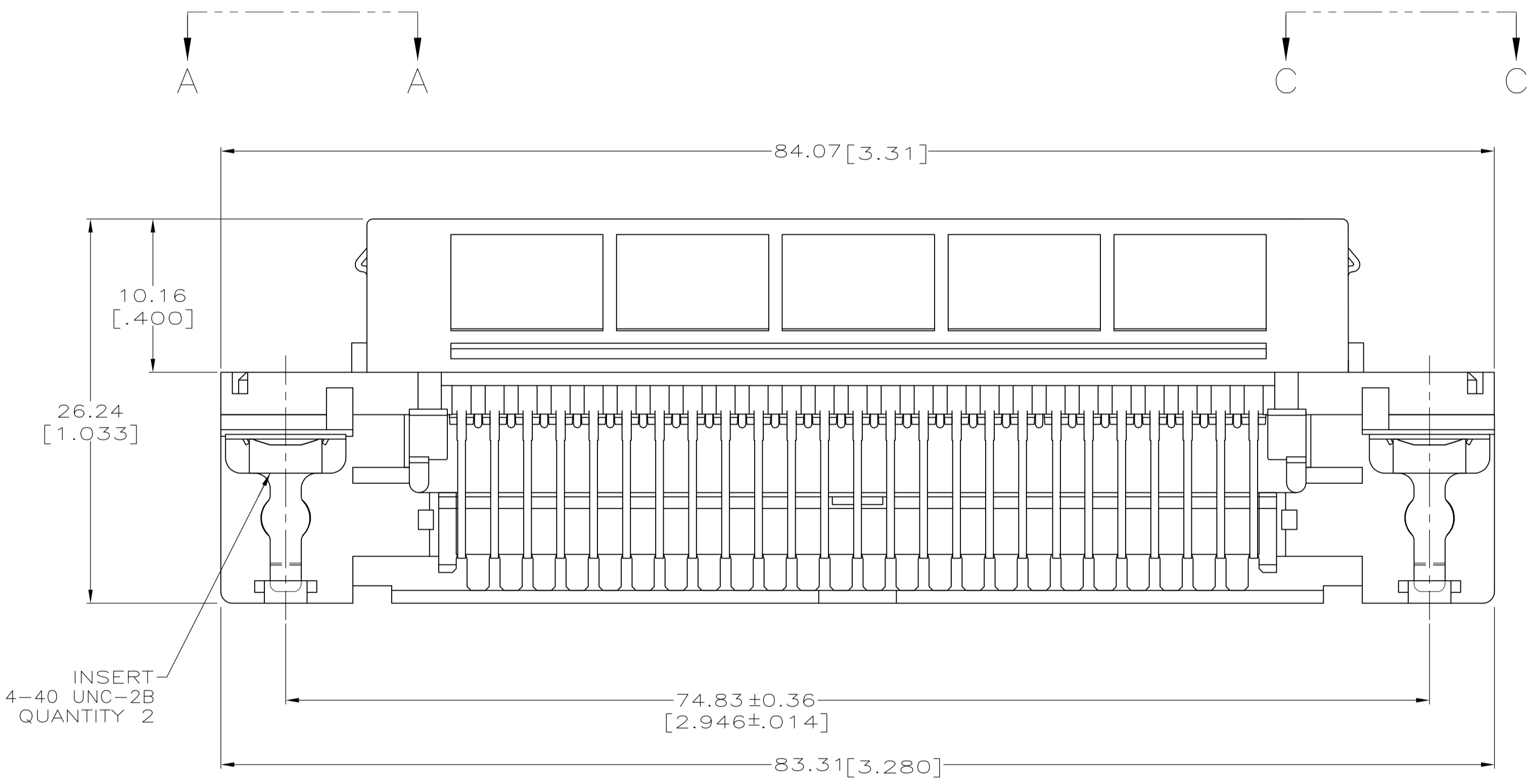


LOC		DIST		REVISIONS			
GP	00	REV	DATE	BY	CHK	APPV	
B		REVISED PER ECO-08-007327	09APR08	BM	WM		
B1		REVISED PER ECO-09-024927	11NOV09	KK	AEG		



SUGGESTED PRINTED CIRCUIT BOARD MOUNTING DIMENSIONS
SCALE 2:1



SUGGESTED PRINTED CIRCUIT BOARD MOUNTING DIMENSIONS
SCALE 2:1

- 1 MATERIAL:
 HOUSING, SUPPORT PLATE & ADAPTER COMB - POLYESTER, BLACK.
 LATCH - ZINC PLATED CARBON STEEL.
 INSERT - BRASS.
 BOARD LOCK - TIN PLATED CARBON STEEL.
 TERMINALS - HIGH STRENGTH COPPER ALLOY PLATED WITH EITHER 0.76µm [.000030] MIN GOLD PLATE OR GOLD FLASH OVER PALLADIUM NICKEL PLATE, 0.76µm [.000030] MIN TOTAL ON MATING SURFACE. 3.05µm [.000120] MIN TIN PLATE ON TAILS. ALL OVER 1.27µm [.000050] MIN NICKEL UNDERPLATE OVER ENTIRE TERMINAL.
2. THE CONTACT SURFACES OF THE TERMINALS ARE COATED WITH LUBRICANT.
3. CENTER-TO-CENTER SPACING OF TERMINALS IS 2.16 [.085] NOMINAL.
4. ALL DIMENSIONS SHOWN ARE MAXIMUM UNLESS OTHERWISE SPECIFIED.
5. TERMINAL 1 LOCATED IN THIS ROW FOR STANDARD ORIENTATION. SEE VIEW A-A.
6. BOARD LOCK RETAINS CONNECTOR IN 1.58 [.062] THICK PC BOARD WITHOUT ADDITIONAL HARDWARE.
7. BOARD LOCK LOCATES CONNECTOR FLUSH WITH TOP OF PC BOARD AND SPRING LOCKS BENEATH.
8. CYLINDRICAL SHAPE OFFERS 180° OF SOLDERING SURFACE.
9. SURFACE AREA BELOW PC BOARD SHALL PASS SOLDERABILITY REQUIREMENTS IN ACCORDANCE WITH AMP SPEC 109-11-2. DISCOLORATION, SCRATCHES, SPOTS AND OTHER COSMETIC DEFICIENCIES TYPICAL OF BARREL PLATING PROCESSES ARE ACCEPTABLE PROVIDING PARTS PASS 24 HOUR EXPOSURE AT 95% RH AT 40° C WITHOUT EVIDENCE OF CORROSION.
10. OPTIONAL BRACKET SUPPLIED BY CUSTOMER.
11. TERMINAL 1 LOCATED IN THIS ROW FOR REVERSE ORIENTATION. SEE VIEW C-C.
12. ONE LATCH ONLY, LOCATED AT CIRCUIT 1/26 END, P/N 6116761-5 AND 6116761-6.
13. OBSOLETE PARTS: OBSOLETE CIS STREAMLINING PER D.RENAUD/D.SINISI

ORIENTATION	DESCRIPTION	PART NUMBER
REVERSE, SEE VIEW C-C (11)	(12)	6116761-6
STANDARD, SEE VIEW A-A (5)	(12)	6116761-5
REVERSE, SEE VIEW C-C (11)	NO LATCHES	6116761-4
REVERSE, SEE VIEW C-C (11)	AS SHOWN	6116761-3
STANDARD, SEE VIEW A-A (5)	NO LATCHES	6116761-2
STANDARD, SEE VIEW A-A (5)	AS SHOWN	6116761-1

THIS DRAWING IS A CONTROLLED DOCUMENT.

DIMENSIONS: mm (INCHES)	TOLERANCES UNLESS OTHERWISE SPECIFIED:	0 PLC ± .01	1 PLC ± .01	2 PLC ± .01	3 PLC ± .01	4 PLC ± .01	ANGLES ± .01
-------------------------	--	-------------	-------------	-------------	-------------	-------------	--------------

MATERIAL (1) FINISH (1)

APPROVED: W. MILLHIMES
 DATE: 01SEP05
 NAME: W. MILLHIMES
 PRODUCT SPEC: RECEPTACLE ASSEMBLY, LOW PROFILE, RIGHT ANGLE, 50 POSITION, BOARD LOCK, INTEGRAL LOCKING LATCH, CHAMP

SIZE: A1
 CAGE CODE: 00779
 DRAWING NO: 6116761
 RESTRICTED TO: CUSTOMER DRAWING

SCALE: 4:1 SHEET: 1 OF 1 REV: B1

X-ON Electronics

Largest Supplier of Electrical and Electronic Components

Click to view similar products for [Headers & Wire Housings](#) category:

Click to view products by [TE Connectivity](#) manufacturer:

Other Similar products are found below :

[95000-104TRLF](#) [10135584-644402LF](#) [DF62W-EP2022PCA](#) [95000-106TRLF](#) [DF62W-2022SCA](#) [DF62W-EP2022PC](#) [2203348](#) [DF62W-2022SC](#) [1084018](#) [1029039](#) [1084017](#) [802-10-012-10-002000](#) [1112640](#) [1112639](#) [000-34000](#) [0009482033](#) [0009507031](#) [57102-S06-03LF](#) [57202-S52-04LF](#) [PCN6-15S-2.5E](#) [0039019024](#) [58102-G61-06LF](#) [582553-1](#) [0009508121](#) [0050291907](#) [018731A](#) [LY20-4P-DT1-P1E-BR](#) [02.125.8002.8](#) [60101931](#) [60598-1 \(Cut Strip\)](#) [M1625-3R/100](#) [61062-3](#) [61082-181009](#) [636-1427](#) [638009-1](#) [641938-9](#) [641991-4](#) [644168-1](#) [647662-1](#) [65039-019ELF](#) [65817-002LF](#) [65817-015LF](#) [65863-015LF](#) [66207-023LF](#) [67016-026LF](#) [67046-001LF](#) [67095-007LF](#) [68002-116](#) [68016-236H](#) [68648-049](#)