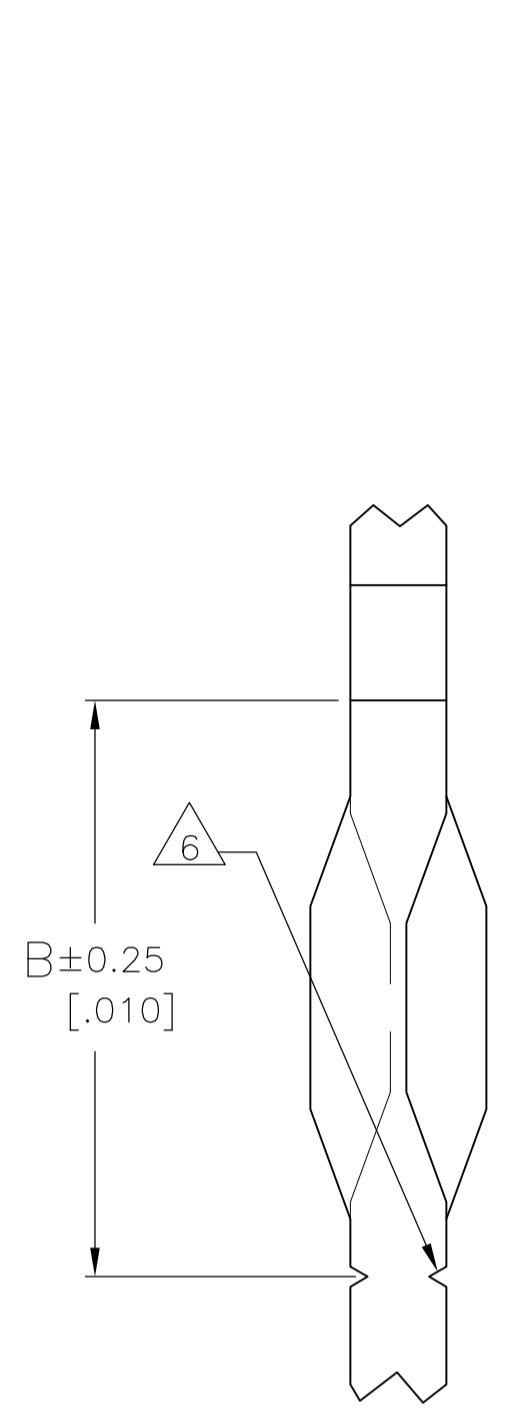
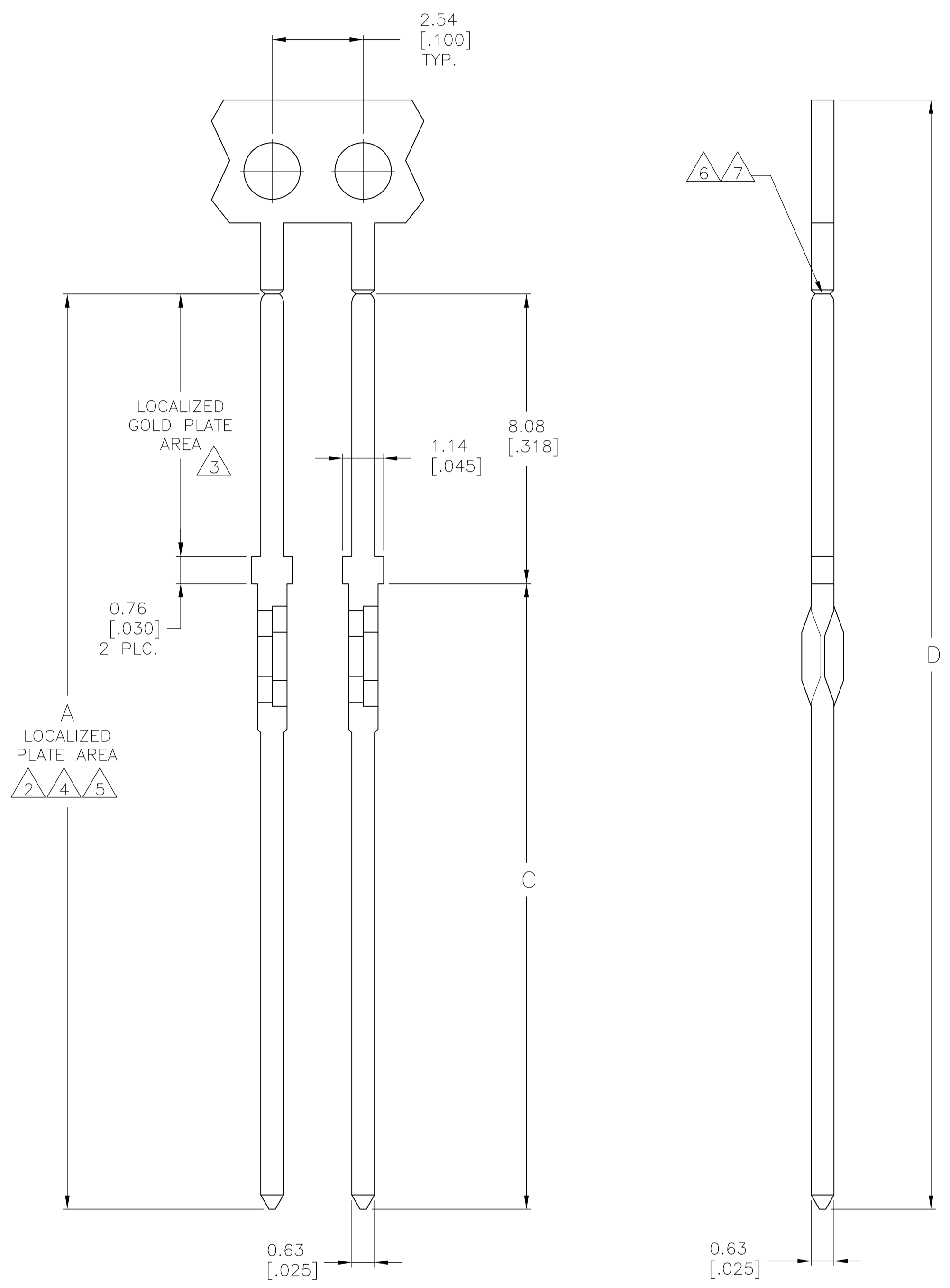


REVISIONS					
REV	DATE	DESCRIPTION	BY	CHK	APPV
AK	05SEP2016	REVISED PER ECO-15-015185	SY	SY	SY



DETAIL S
SCALE 20:1
SEE TABLE

- 1 COPPER ALLOY.
- 2 1.27µm [.000050] MIN. GOLD PER MIL-G-45204 OVER
2.54µm [.000100] MIN. NICKEL PER QQ-N-290 IN LOCALIZED PLATE AREA.
- 3 0.76µm [.000030] MIN. GOLD PER MIL-G-45204 IN LOCALIZED GOLD PLATE AREA, 0.025µm [.000001] MIN. GOLD FLASH PER MIL-G-45204 ON REMAINDER, BOTH OVER 1.27µm [.000050] MIN. NICKEL PER QQ-N-290.
- 4 0.76µm [.000030] MIN. GOLD PER MIL-G-45204 OVER
2.54µm [.000100] MIN. NICKEL PER QQ-N-290 IN LOCALIZED PLATE AREA.
- 5 2.54µm [.000100] MIN. TIN-LEAD OVER
1.27µm [.000050] MIN. NICKEL PER QQ-N-290 IN LOCALIZED PLATE AREA.
- 6 PRE-NOTCH SHOULD BREAK WITH 120° BEND.
- 7 POST TIP IS MATEABLE WITH FEMALE CONNECTOR.
- 8. TYPICAL REEL QUANTITY IS 50,000±5,000 POSTS.
- 9. RECOMMENDED BOARD THICKNESS IS 2.36-3.18 [.093-.125].
- 10. REQUIRED HOLE DIAMETER TOLERANCES:

HOLE DIA. ±0.03[.001]	PLATING THICKNESS		HOLE DIA.		COPPER HARDNESS KNOOP	PAD DIA. MIN.
	COPPER	TIN-LEAD	AFTER PLATING	AFTER REFLOW		
1.151 [.0453]	0.03-0.08 [.001-.003]	0.008 MIN. [.0003]	0.94-1.09 [.037-.043]	0.94-1.09 [.037-.043]	150 MAX.	1.57 [.062]
1.151 [.0453]	NOT PLATED THRU					1.65 [.065]

- 12 2.54µm [.000100] MIN. TIN OVER
1.27µm [.000050] MIN. NICKEL PER QQ-N-290 IN LOCALIZED PLATE AREA.
- 13 2.54µm [.000100] MIN. MATTE TIN OVER.
1.27µm [.000050] MIN. NICKEL PER QQ-N-290 IN LOCALIZED PLATE AREA.

OBSCLETE			26.19 [1.031]	12.70 [.500]	-	20.78 [.818]	13	7-117249-0
OBSCLETE	PER DETAIL S		30.94 [1.218]	17.45 [.687]	5.84 [.230]	25.53 [1.005]	12	6-117249-8
OBSCLETE			30.94 [1.218]	17.45 [.687]	-	25.53 [1.005]	12	6-117249-7
OBSCLETE	PER DETAIL S		30.94 [1.218]	17.45 [.687]	5.84 [.230]	25.53 [1.005]	5	6-117249-6
OBSCLETE			30.94 [1.218]	17.45 [.687]	-	25.53 [1.005]	5	6-117249-5
OBSCLETE	PER DETAIL S		30.94 [1.218]	17.45 [.687]	5.84 [.230]	25.53 [1.005]	3	6-117249-3
OBSCLETE	PER DETAIL S		30.94 [1.218]	17.45 [.687]	7.19 [.283]	25.53 [1.005]	3	6-117249-1
OBSCLETE			26.19 [1.031]	12.70 [.500]	-	20.78 [.818]	5	5-117249-6
		118470	26.19 [1.031]	12.70 [.500]	-	20.78 [.818]	3	3-117249-2
	PER DETAIL S	118385	30.94 [1.218]	17.45 [.687]	4.57 [.180]	25.53 [1.005]	3	3-117249-1
OBSCLETE		117249	30.94 [1.218]	17.45 [.687]	-	25.53 [1.005]	4	1-117249-2
		117820	30.94 [1.218]	17.45 [.687]	-	25.53 [1.005]	3	117249-7
		117259	30.94 [1.218]	17.45 [.687]	-	25.53 [1.005]	2	117249-2
	PRE-NOTCH	COMB NUMBER	D	C	B	A	FINISH	PART NUMBER

THIS DRAWING IS A CONTROLLED DOCUMENT. DIMENSIONS: mm [INCHES]. TOLERANCES UNLESS OTHERWISE SPECIFIED: 0 PLC ±, 1 PLC ±, 2 PLC ± 0.25[.010], 3 PLC ±, 4 PLC ±, ANGLES ± °.

DIN D. HARDY 24JAN00
 CHK M. MILLER 04FEB00
 APPV M. MILLER 04FEB00
 NAME PRODUCT SPEC APPLICATION SPEC

STE TE Connectivity
 POST, FEED-THRU ECONOMATE

SIZE A1 CAGE CODE 00779 DRAWING NO. 117249 WEIGHT 0.000000 RESTRICTED TO CUSTOMER DRAWING SCALE 10:1 SHEET 1 OF 1 REV AK

X-ON Electronics

Largest Supplier of Electrical and Electronic Components

Click to view similar products for [Standard Card Edge Connectors](#) category:

Click to view products by [TE Connectivity](#) manufacturer:

Other Similar products are found below :

[6565204-6](#) [PKC-156](#) [1437274-4](#) [147889-1](#) [1489165-4](#) [EBT156-12B1X](#) [EBT15622B2X](#) [EBT156-22R2W](#) [1-582587-1](#) [1-582589-1](#) [2-6437275-9](#) [284-0102-12100](#) [306022901000000](#) [307-012-502-202](#) [307-024-526-201](#) [307-056-520-300](#) [307-080-526-208](#) [245-062-520-350](#) [287-0032-12101](#) [306-010-500-112](#) [306-028-525-102](#) [306-240-318](#) [307-036-502-202](#) [307-036-521-301](#) [307-072-526-202](#) [345-060-559-303](#) [368-004-520-201](#) [392-008-559-201](#) [534671-1](#) [5-530501-5](#) [341-240-317](#) [345-029-520-300](#) [345-030-500-301](#) [345-044-500-300](#) [345-220-058](#) [346-240-318](#) [357-030-526-201](#) [387-012-523-300](#) [395-044-520-300](#) [395-100-524-300](#) [50-12B-10](#) [50-6SN-5](#) [09-07-2032](#) [10035388-106LF](#) [10035388-802LF](#) [10122859-009LF](#) [10127905-B04B24BLF](#) [530555-1](#) [EBT156-15A2X](#) [2007209-1](#)