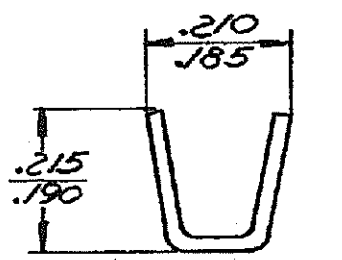
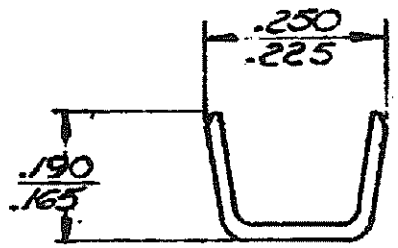
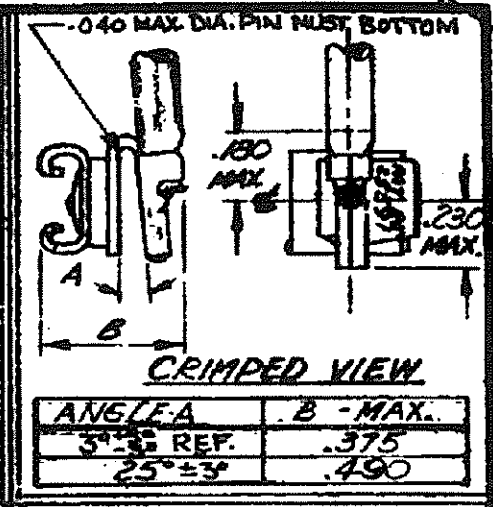
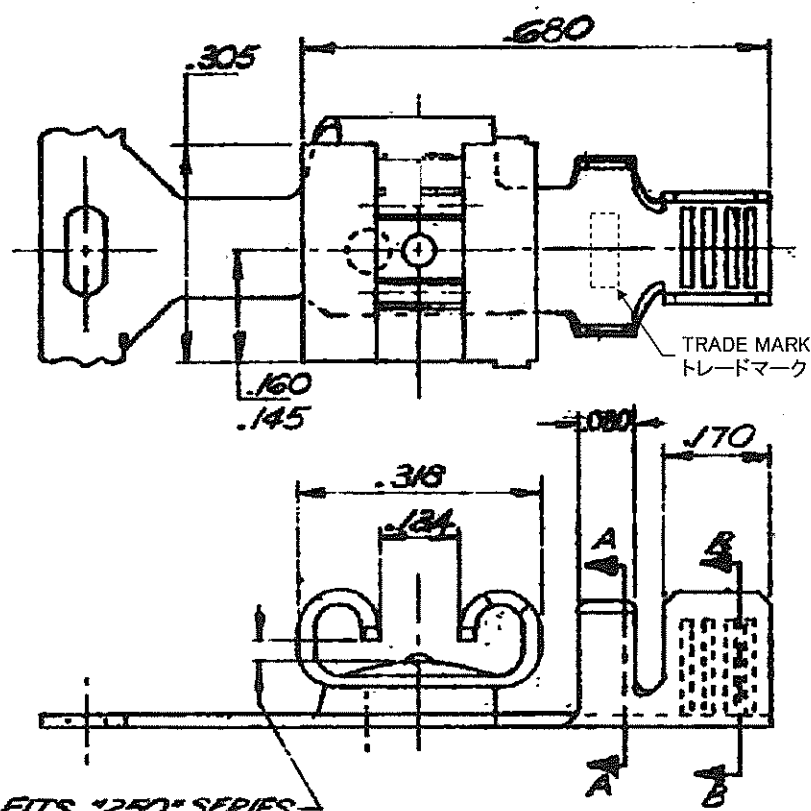


NUMBER 61187



FITS "250" SERIES FASTON TAB (REFER TO CP. M. 251) TAB MAY ENTER FROM EITHER END.

CONTINUOUS STRIP ON REELS

WIRE SIZE A.W.G.	INSULATION RANGE	TAB THK. .001	MATERIAL AND FINISH	TERMINAL NUMBER
12-10	130-170	.032	ONE ENDS BRONZE-TIN	61187-1
12-10	130-170	.032	TWO ENDS BRONZE-SILVER	61187-2

OBSOLETE

DIMENSIONS IN INCHES. DO NOT SCALE PRINT.

F1	P/N OBSOLETE ECR-08-031060	Y.Y	N.Y	8DEC 2008
F	REVISED ECR-07-011381	J.S	S.M	25MAY '07
E	REVISED A-096W	JR	W	1/10/65
D	REVISED AK23	cm	es	2/10/65
C	REVISED - A-13AS	cm	es	7/10/68
B	REVISED A-12A2	cm		7/26/68
A	REVISED-RELEASED	cm		8/26/67
	WAS - P-29624-152			
LTR	REVISION RECORD	DR	CHK	DATE
	CLAUDE E. FINK 4-13-67	DE	E. GOMBAR	4-21-67
	CHK C. MEYERS	4-21-67	APR JAN PERRY	4-21-67

PROPERTY AND INDICATOR ALL RIGHTS RESERVED. AMP PRODUCTS COVERED BY PATENTS AND/OR PATENTS PENDING.

**REFERENCE ONLY**

**Tyco Electronics** Tyco Electronics Corporation  
Kawasaki, Japan

CLASS ———

TYPE ———

WIRE — RANGE — INSULATION TYPE

TOLERANCE EXCEPT AS NOTED ± .015 ± 1%

SCALE J A4 61187 F1

NAME "250" SERIES REVERSIBLE FLAG FASTON RECEPTACLE

## X-ON Electronics

Largest Supplier of Electrical and Electronic Components

*Click to view similar products for [Terminals](#) category:*

*Click to view products by [TE Connectivity](#) manufacturer:*

Other Similar products are found below :

[00-054007-01074-6](#) [00-054007-70206-1](#) [00-054007-70210-8](#) [00-054007-70217-7](#) [00-054007-70226-9](#) [00-054007-70228-3](#) [00-054007-70248-1](#) [00-054007-70256-6](#) [00-054007-70301-3](#) [00-054007-70316-7](#) [00-054007-49560-4](#) [00-054007-70209-2](#) [00-054007-70225-2](#) [00-054007-70227-6](#) [00-054007-70231-3](#) [00-054007-70241-2](#) [00-054007-70242-9](#) [00-054007-70244-3](#) [00-054007-70246-7](#) [00-054007-70263-4](#) [00-054007-70288-7](#) [00-054007-70290-0](#) [00-054007-70300-6](#) [00-054007-70304-4](#) [01-2065-1-0216](#) [01-2900-1-04412](#) [00581P0075](#) [600TS-10](#) [60205-1](#) [604200-1](#) [605601-1](#) [60598-1-CUT-TAPE](#) [61314-6-C](#) [61810-3](#) [61-S](#) [61-SN](#) [626-0194](#) [62-NBM-A](#) [62-SN](#) [62-SP](#) [63-S](#) [640179-1](#) [M55155/059I03](#) [M55155/079C01](#) [M55155/099H02](#) [M55155/109H01](#) [M55155/109H02](#) [M55155/12XH05](#) [M55155/16XH02](#) [M55155/29-5S](#)