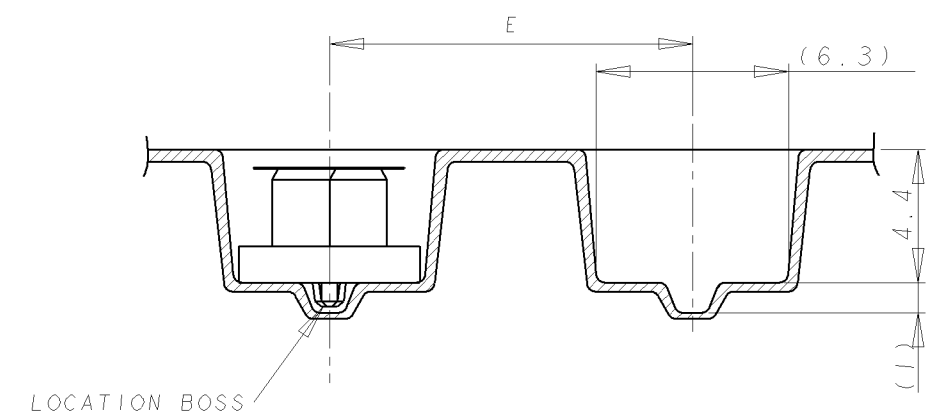
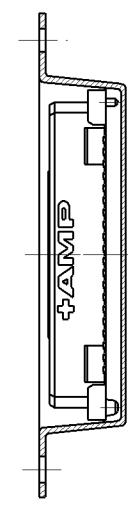
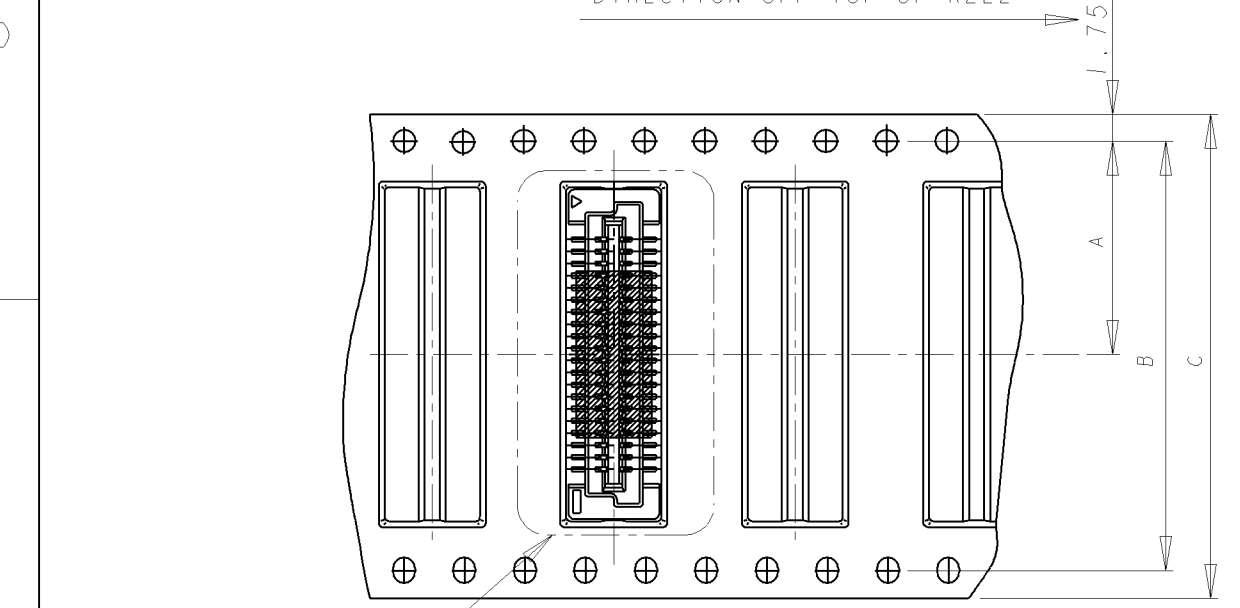


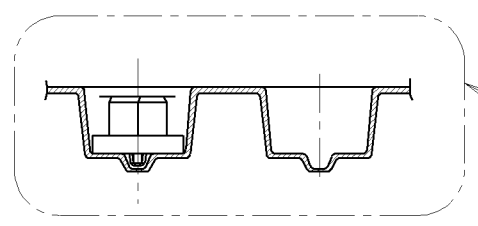
THIS DRAWING IS UNPUBLISHED. RELEASED FOR PUBLICATION .19
 © COPYRIGHT 19 BY AMP INCORPORATED. ALL RIGHTS RESERVED.

LOC		DIST		REVISIONS			
P	LTR	DESCRIPTION		DATE	DWN	APVD	
	A	REVISED PER ECR-08-025833		14OCT2008	SYJ	LSF	

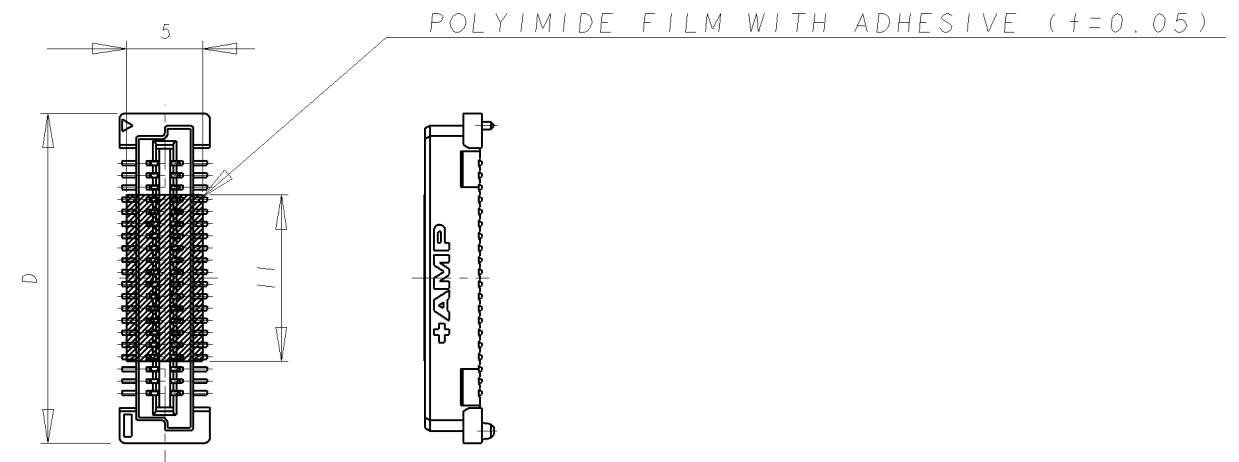


DETAIL A
(SCALE 4-1)

DETAIL B

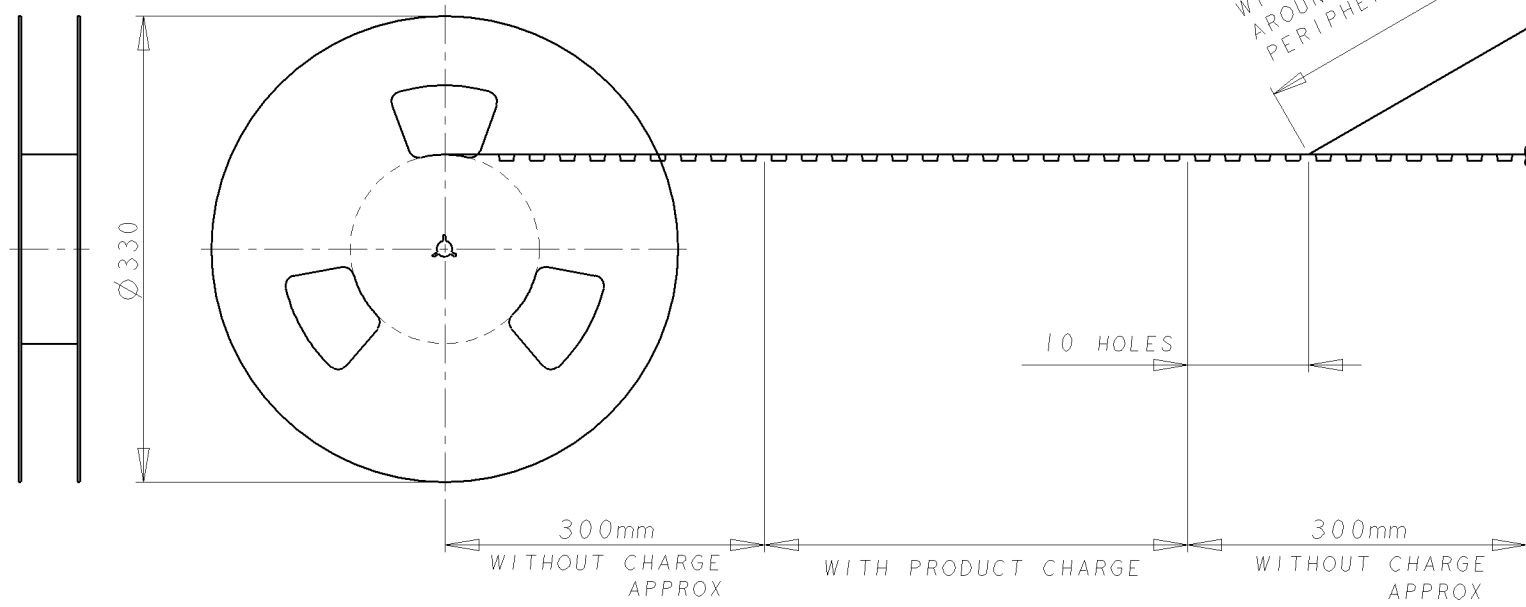


DETAIL A



DETAIL B

WINDING THE COVER TAPE AROUND THE OUTER PERIPHERY IN A TURN.



NOT AVAILABLE	700	16	61.8	72	68.4	34.2	140	-6	-6
			53.8	72	68.4	34.2	120	-5	-5
			45.8	72	68.4	34.2	100	-4	-4
			37.8	56	52.4	26.2	80	-3	-3
			29.8	44	40.4	20.2	60	-2	-2
AVAILABLE	1000	12	21.8	32	28.4	14.2	40	5177983-1	6123763-1
TOOLING STATUS	QTY	E	D	C	B	A	POS	CONN P/N	PART NO.

THIS DRAWING IS A CONTROLLED DOCUMENT FOR AMP INCORPORATED. IT IS SUBJECT TO CHANGE AND THE CONTROLLING ENGINEERING ORGANIZATION SHOULD BE CONTACTED FOR THE LATEST REVISION.

DWN WYLEE 2NOV04
 CHK VINCENT TAN
 APVD ERIC ING
 PRODUCT SPEC 108-5390
 APPLICATION SPEC 114-5254
 WEIGHT -

Tyco Electronics Singapore Pte. Ltd.

NAME RECEPTACLE ASSEMBLY 5H TYPE WITH POLYIMIDE FILM (0.5 BOSS LENGTH) FOR FH 0.8 B-T-B CONN, ON TAPING

SIZE A3 CAGE CODE 00779 DRAWING NO 6123763

CUSTOMER DRAWING SCALE 4:1 SHEET 1 OF 1 REV A

X-ON Electronics

Largest Supplier of Electrical and Electronic Components

Click to view similar products for [Board to Board & Mezzanine Connectors](#) category:

Click to view products by [TE Connectivity](#) manufacturer:

Other Similar products are found below :

[10135583-642402LF](#) [89885-310LF](#) [589158040000018](#) [6-1393048-0](#) [68683-613](#) [MDF7-12DP-2.54DSA](#) [MDF7-18P-2.54DSA\(01\)](#) [MDF7-20DP-2.54DSA](#) [MDF7-26D-2.54DSA\(55\)](#) [MDF7-3P-2.54DSA\(01\)](#) [MDF7B-3P-2.54DSA\(55\)](#) [MDF7C-11P-2.54DSA\(55\)](#) [MDF7C-18P-2.54DSA\(55\)](#) [MDF7C-5P-2.54DSA\(01\)](#) [MDF7P-5P-2.54DSA\(55\)](#) [75234-0516](#) [FCN-230C068-11](#) [FCN-268F012-G/BD](#) [FCN-268F036-G/BD](#) [FCN-268M012-G/0D](#) [FCN-268M024-G/1D](#) [FCN-360C008-C](#) [FCN-360C040-C](#) [FCN-723J004/1](#) [MIS-048-01-F-D-DP-K](#) [832-10-034-10-001000](#) [93696-325LF](#) [11828-1FA](#) [AXK630345P](#) [18097-0013](#) [ICA-328STT](#) [2007042-2](#) [304400-2](#) [FCN-214Q030-G/0](#) [FCN-215Q040-G/0](#) [FCN-230C068-ESA](#) [FCN-234P048-G/0](#) [FCN-235D050-G/C](#) [FCN-360A3](#) [FCN-360C040-B](#) [210-93-314-41-105000](#) [2-22603-0](#) [379-064-521-202](#) [MDF7-12P-2.54DSA\(01\)](#) [MDF7-16P-2.54DS\(56\)](#) [MDF7-40DP-2.54DSA\(55\)](#) [MDF7-8P-2.54DSA\(55\)](#) [MDF7B-16P-2.54DSA\(55\)](#) [AXG720047](#) [5031084030](#)