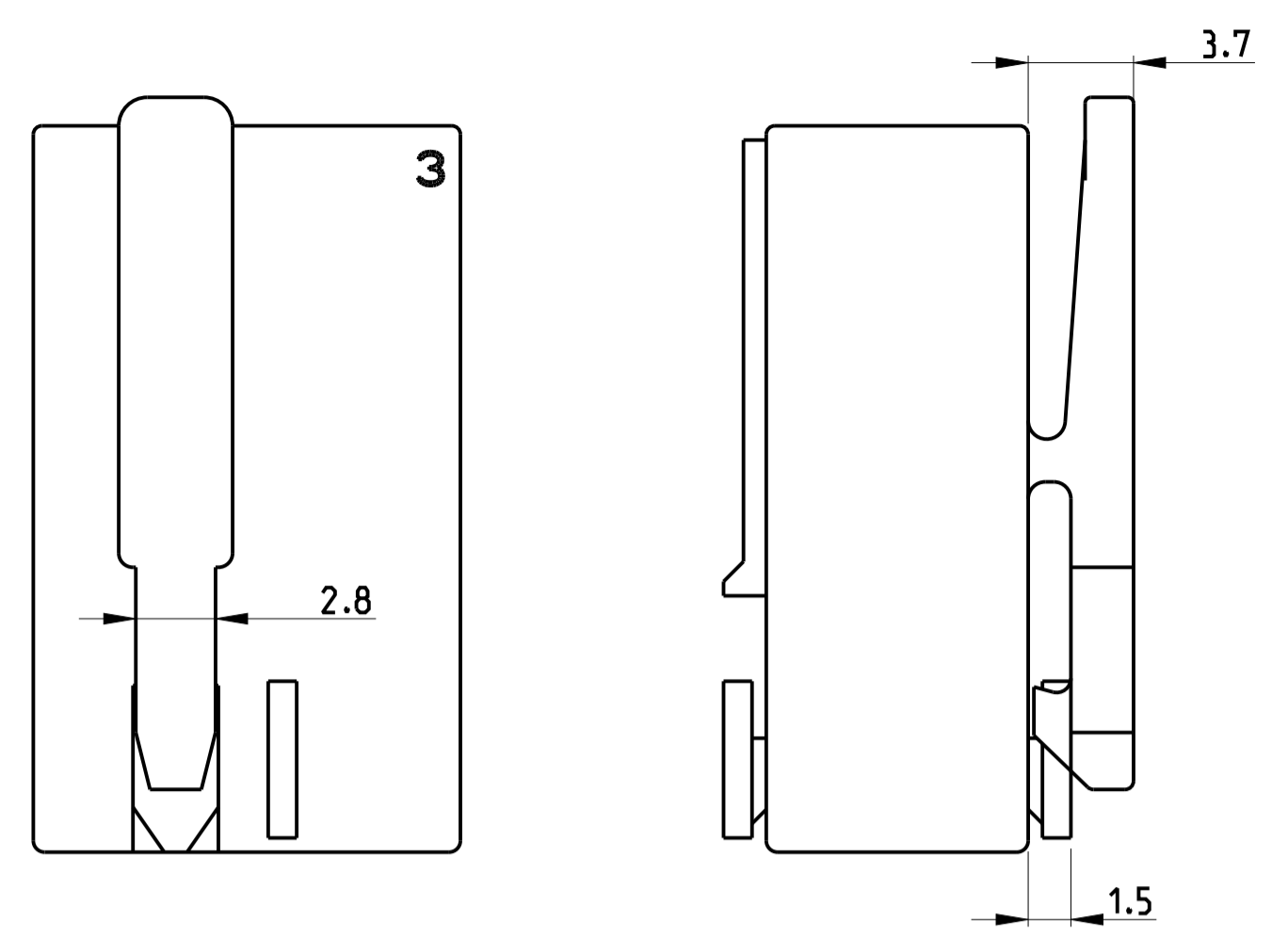
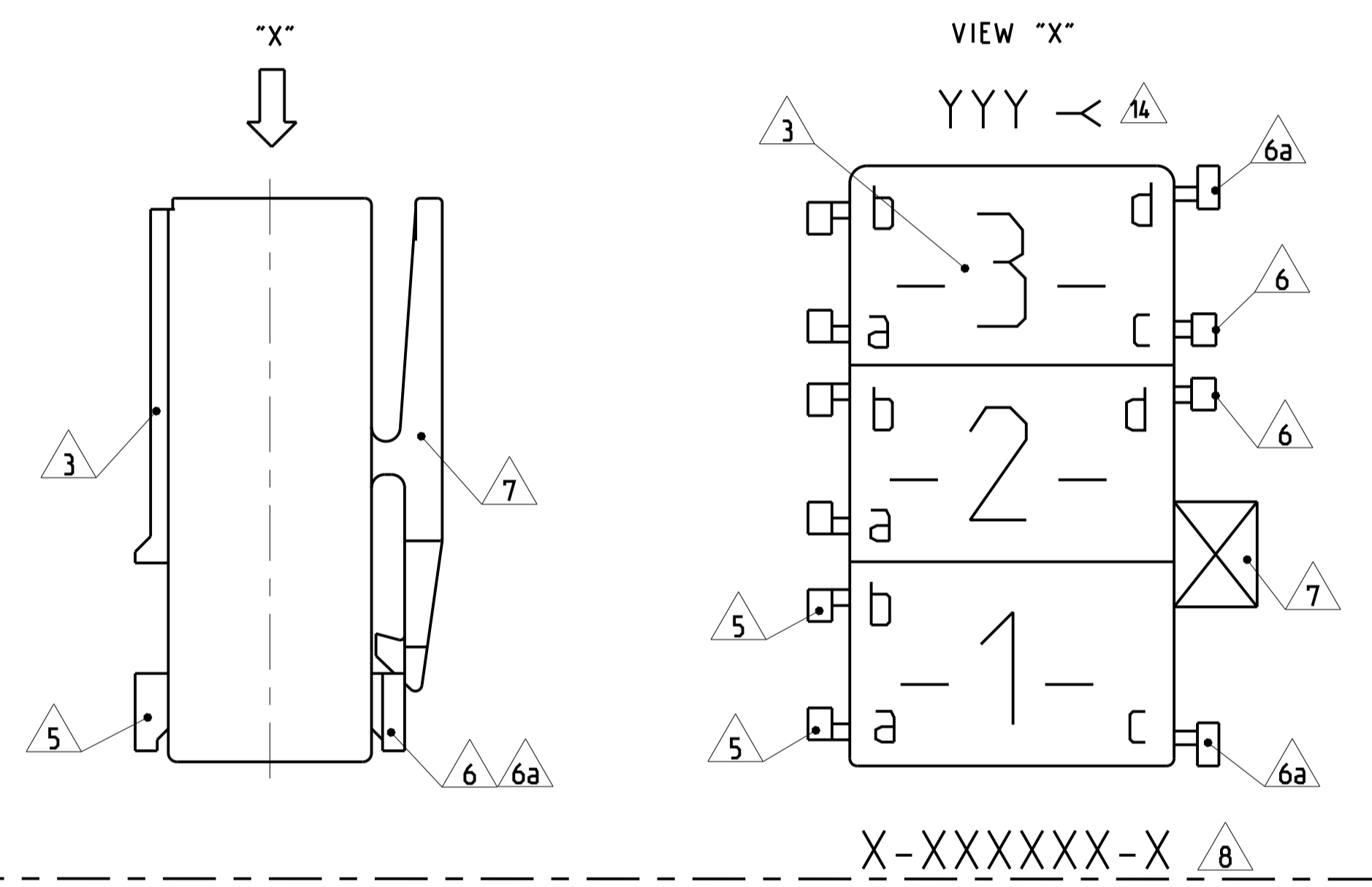


ONLY 5-1241961-7, 1-1241961-9, 7-1241961-7, 2345753-1



ALL OTHER DIMENSIONS SEE SHEET 1 OF 3

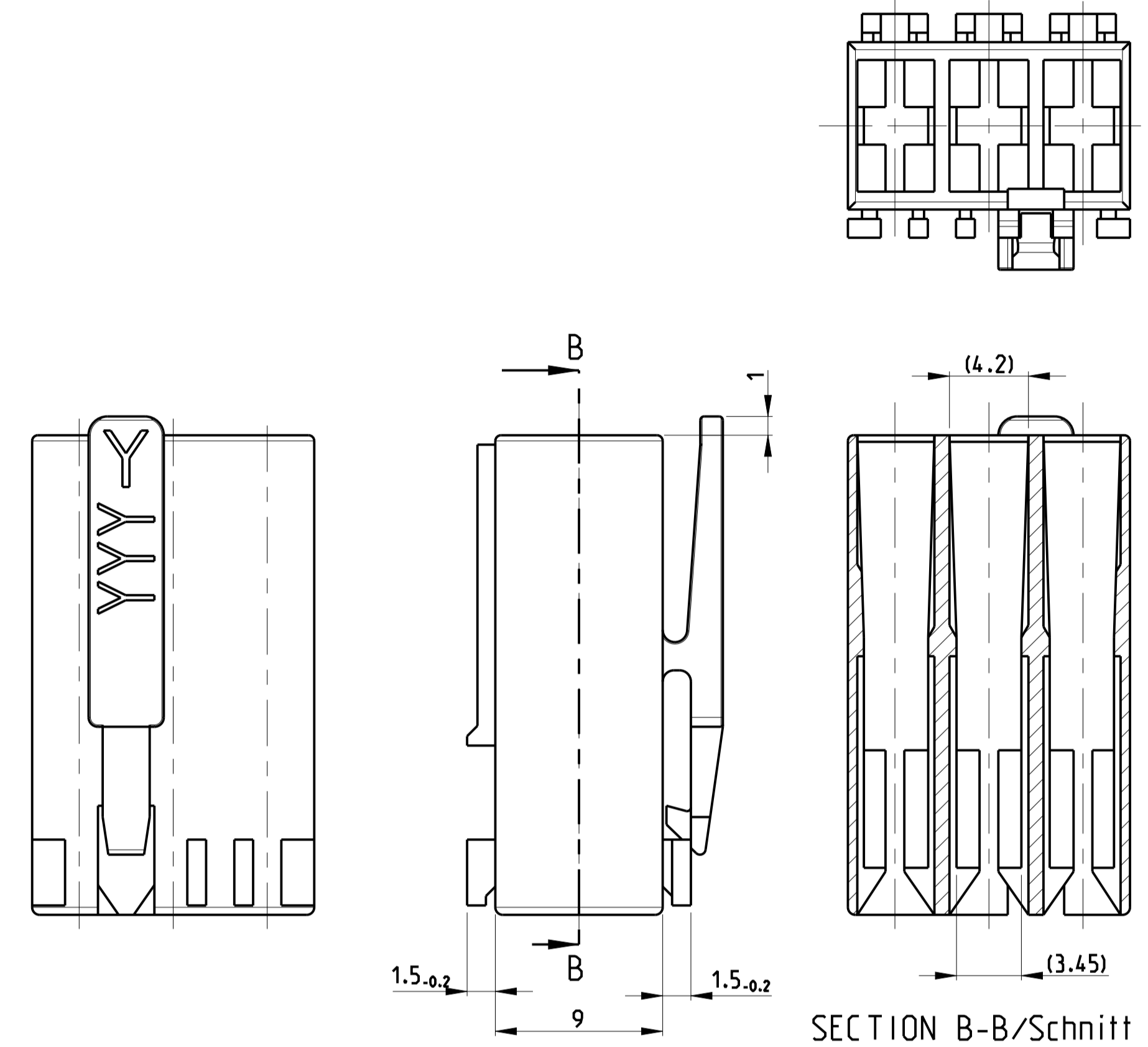
KEY LAYOUT DESCRIPTION



X-XXXXXX-X

PAY ATTENTION !
DIFFERENT CAVITY GEOMETRY AND LOCKING LATCH OVERHANG
Bitte beachten !
Unterschiedliche Kammergeometrie und Rasthakenüberstand.

FOR 2 POS. AND 3 POS.



ALL OTHER DIMENSIONS SEE SHEET 1 OF 3
Alle anderen Masse siehe Seite 1 von 3

SPECIAL MATERIAL: UL94 V0									
2345753-1	3	6	1	15	10	PA66	NATURAL	C	

SPECIAL MATERIAL									
1955507-4	4	6	1	20	15	PA66	NATURAL	1	
9-1955506-2	2	6	1	10	5	UL 94 V0	NATURAL	1	

PART NO	POS	DIM C	DIM D	DIM A	DIM B	MATERIAL	COLOUR	REV./Rev.
6-1241961-7	3			15	10	PA 6 UL94V-2	NATURAL	1
4-1241961-7	3			15	10	PA 6 UL94V-2	NATURAL	A
3-1241961-7	3	4	0.5	15	10	PA 6 UL94V-2	NATURAL	A
1-1955422-7	3			15	10	PA 66 UNFILLED UL94 V0	NATURAL	A
5-1955422-7	3			15	10	PA 66 UNFILLED UL94 V0	NATURAL	A
4-1955422-3	2	6	1	10	5	PA 66 UNFILLED UL94 V0	NATURAL	A
2-1241817-3	3	4 or 6	0.5 or 1	15	10	PA 66 UL94 V-2	Green	E
0-1955422-6	3			15	10	PA 66 UNFILLED UL94 V0	NATURAL	A
8-1241961-8	3			15	10	PA 6 UL94V-2	natural	C
0-1241961-8	3			15	10	PA 6 UL94V-2	natural	A
8-1241961-3	2	4	0.5	10	5	PA 6 UL94V-2	NATURAL	C
3-1241961-1	2			10	5	PA 6 UL94V-2	NATURAL	C
0-1955422-1	2			10	5	PA 66 UNFILLED UL94 V0	NATURAL	A

SPECIAL VERSION: UL94 V0 & GWT 750NF									
2178571-3	4			20	15	PA 66. UL94 V-0	NATURAL		
2178571-1	3	4	1	15	10	PA 66. UL94 V-0	NATURAL		
2178571-2	2			10	5	PA 66. UL94 V-0	NATURAL		
1-2178571-3	3			15	10	PA 66. UL94 V-0	NATURAL		

PART NO	POS	DIM C	DIM D	DIM A	DIM B	MATERIAL	COLOUR	Farbe
		12	12	12	12			

REV	DATE	DWN	APVD	REVISIONS			
				DESCRIPTION	DATE	DWN	APVD
				SEE SHEET-01			
				PA 6 UL94V-2	13	Natural/natur	B
				PA 6.6 UL94V-2		Natural/natur Black/schwarz Violet/violett Grey/grau Natural/natur	C
				PA 6 UL94V-2	13	Green/grün Violet/violett TARGET RAL 4001 Yellow/gelb Black/schwarz Blue/blau Red/rot	C
				PA 6 UL94V-2	13	Natural/natur	C
				PA 6.6 UL94V-2		Yellow/gelb	
				PA 6.6 UL94V-2		Natural/natur	H

LOC	DIST	P	LTN	REV	REV	REV	REV	MATERIAL	COLOUR	REV
0-1241959-5	5			25	10					
4-1241959-4	4	4	0.5	20	15					
2-1241959-4	4			20	15					
0-1241959-4	4			20	15					
2-1241817-5	5	6	1	25	20					
0-1241817-5	4	4	0.5	25	20					
3-1241817-4	4			20	15					
2-1241817-4	4	6	1	20	15					
0-1241817-4	4	4	0.5	20	15					
2-1241983-2				10	5					
1-1241983-2				10	5					
0-1241983-2	2	4	0.5	10	5					
8-1241983-2				10	5					
5-1241983-3				10	5					
6-1241983-2				10	5					
9-1241961-7		4	0.5	15	10					
9-1241961-8		4	0.5	15	10					
6-1241961-8		4	0.5	15	10					
5-1241961-8		4 or 6	0.5 or 1	15	10					
4-1241961-8		4	0.5	15	10					
7-1241961-8		4	0.5	15	10					
1-1241961-8		4 or 6	0.5 or 1	15	10					
3-1241961-8		6	1	15	10					
2-1241961-8				15	10					
2-1241961-7				15	10					
1-1241961-7		4	0.5	15	10					
9-1241961-9				15	10					
0-1241961-6				15	10					
3-1241961-3				10	5					
2-1241961-2				10	5					
5-1241961-2				10	5					
4-1241961-3				10	5					
7-1241961-2				10	5					
7-1241961-3				10	5					
6-1241961-3		2	4	0.5	10	5				
3-1241961-2				10	5					
5-1241961-3				10	5					
6-1241961-2				10	5					
0-1241961-3				10	5					
8-1241961-2				10	5					
9-1241961-2				10	5					
0-1241961-1				10	5					
9-969484-9	3	6	1	15	10					
2-969484-8				15	10					
4-969484-8		4 or 6	0.5 or 1	15	10					
0-969484-8				15	10					
9-969484-7		4	0.5	15	10					
8-969484-7				15	10					
7-969484-7				15	10					
6-969484-7				15	10					
5-969484-7		4	0.5	15	10					
4-969484-7				15	10					
3-969484-7		4	0.5	15	10					
2-969484-7		4	0.5	15	10					
1-969484-7	3	4	0.5	15	10					
0-969484-7				15	10					
9-969484-6		6	1	15	10					
8-969484-6				15	10					
7-969484-6				15	10					
6-969484-6				15	10					
5-969484-6				15	10					
4-969484-6				15	10					
3-969484-6		6	1	15	10					
2-969484-6				15	10					
1-969484-6				15	10					
0-969484-6				15	10					
7-969484-3				10	5					
6-969484-3				10	5					
5-969484-3		4	0.5	10	5					
4-969484-3				10	5					
3-969484-3				10	5					
2-969484-3				10	5					
1-969484-3				10	5					
0-969484-3				10	5					
9-969484-2				10	5					
8-969484-2				10	5					
7-969484-2				10	5					
6-969484-2		4	0.5	10	5					
5-969484-2				10	5					
4-969484-2				10	5					
3-969484-2				10	5					
2-969484-2				10	5					
1-969484-2				10	5					
0-969484-2		6	1	10	5					
9-969484-1		4	1	10	5					
8-969484-1				10	5					
7-969484-1		6	1	10	5					
6-969484-1				10	5					
5-969484-1		6	1	10	5					
4-969484-1				10	5					
3-969484-1				10	5					
2-969484-1		4	0.5	10	5					
1-969484-1				10	5					
0-969484-1				10	5					

LOC	DIST	REVISIONS			
P	LTR	DESCRIPTION	DATE	DWN	APVD
		SEE SHEET 1			

SPECIAL VERSION: UL94 V0 & GWEPT 750°C NF									
2364739-5	5	4	0.5	25	20	PA66 13 17	BLUE	C	
2364739-4	4			20	15		BLUE	C	
1-2364739-3	3			15	10		BLUE	C	
2364739-3	3			15	10		BLUE	C	
1-2364739-2	2			10	5		BLUE	C	
2364739-2	2			10	5		BLUE	C	
3-2364739-2	2			10	5		BLUE	C	
2-2364739-2	2			10	5		BLUE	C	


SPECIAL VERSION: UL94 V0 & GWT 750 NF & CTI 350									
5-1241961-7	3	6	1	15	10	PA66 13	NATURAL	A	
1-1241961-9	3			15	10		NATURAL	A	
7-1241961-7	3			15	10		NATURAL	A	

SPECIAL VERSION: UL94 V0 & GWT 750 NF									
2322164-1	4	4	0.5	20	15	PA66 13	NATURAL	1	

SPECIAL VERSION: UL94 V2 & GWT 750 NF									
6-2178575-7	3	4	0.5	15	10	PA6 GF15 13	NATURAL	A	

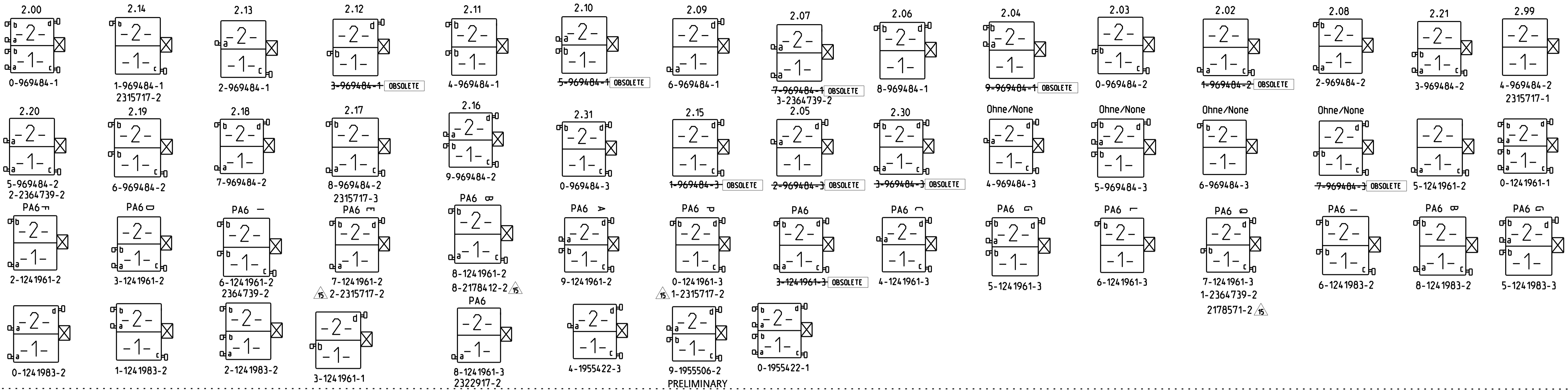
SPECIAL VERSION: UL94 V0 & GWT 750 NF									
3-2178412-7	3	6	1	15	10	PA66 13 UL94 V0 & GWT 750 NF	NATURAL	1	
4-2178412-7	3			15	10		NATURAL	1	
8-2178412-2	2			10	5		NATURAL	1	

UL94 V0 & GWT 750 NF											
2322917-4	4	4	0.5	20	15	PA66 13 UL94 V0 & GWT 750 NF	NATURAL	C			
2322917-2	2			10	5		NATURAL	C			
2315717-1	2			10	5		NATURAL	C			
2315717-2	2			10	5		NATURAL	C			
2315717-3	2			10	5		NATURAL	C			
1-2315717-2	2			10	5		NATURAL	1			
2-2315717-2	2			10	5		NATURAL	1			
2315717-4	4			20	15		NATURAL	C			
2315717-5	4			20	15		NATURAL	C			
2315717-6	3			15	10		NATURAL	C			
2315717-7	3			15	10		NATURAL	C			
1-2315717-3	3			15	10		NATURAL	E			
PART NO.	POS			DIM C	DIM D		DIMA	DIM B	MATERIAL	COLOUR	REV.

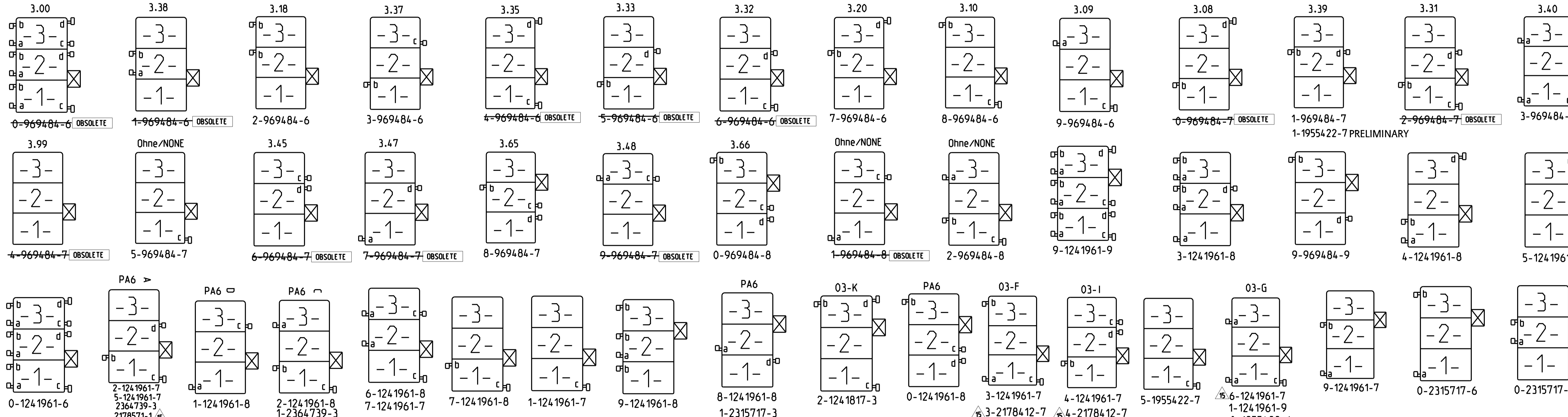
THIS DRAWING IS A CONTROLLED DOCUMENT.		Dwn: Kishor M. 18-10-07	 TE Connectivity
DIMENSIONS: mm		Chr: K. Muniz 18-10-07	
TOLERANCES UNLESS OTHERWISE SPECIFIED:		APVD: T. Klanner 18-10-07	NAME: STANDARD TIMER HSG. RAST 5 MARK II
0 PLC ±0.2 1 PLC ±0.2 2 PLC ±0.2 3 PLC ±0.2 4 PLC ±0.2 ANGLES ±° FINISH -		PRODUCT SPEC: 108-18049 APPLICATION SPEC: - WEIGHT: -	RESTRICTED TO: - SIZE: A1 CAGE CODE: 00779 DRAWING NO: 1241961
MATERIAL: SEE TABLES. SHEETS PAGE 2 AND 3 OF 4		Customer Drawing	SCALE: 5:1 SHEET 3 OF 4 REV E4

REVISONS		DATE	DRW	APVD
1	SEE SHEET-01			

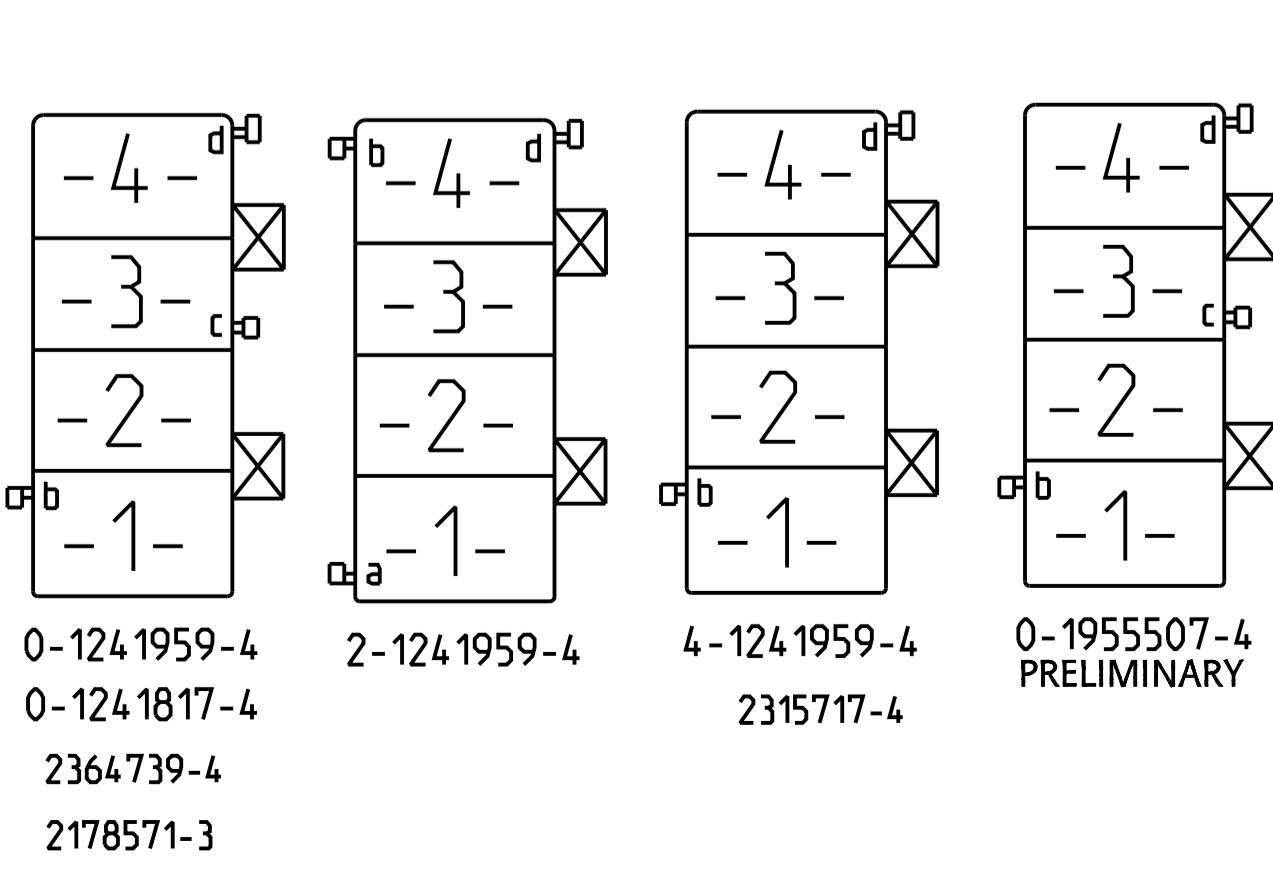
2 POSITION VARIANTS



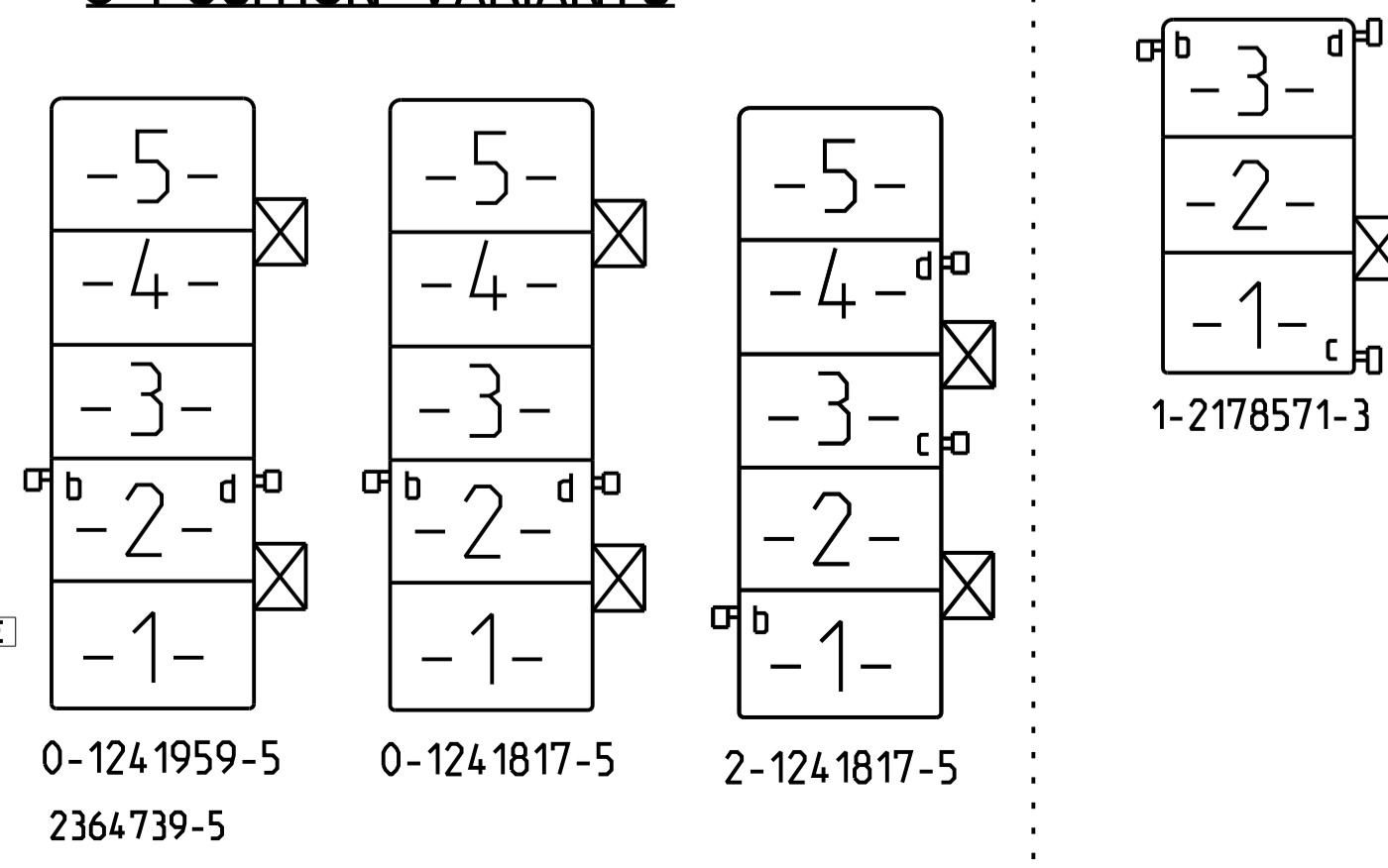
3 POSITION VARIANTS



4 POSITION VARIANTS



5 POSITION VARIANTS



THIS DRAWING IS A CONTROLLED DOCUMENT.		DRW: Kishor M. 18-10-07	 TE Connectivity	NAME: STANDARD TIMER HSG. RAST 5 MARK II Standard Timer Gehäuse RAST 5 Mark II
DIMENSIONS: mm		CHK: K. MURIZ 18-10-07		PRODUCT SPEC: 108-18049
TOLERANCES UNLESS OTHERWISE SPECIFIED:		APVD: T. Klöpper 18-10-07		APPLICATION SPEC: -
0 PLC ±0.2 1 PLC ±0.2 2 PLC ±0.2 3 PLC ±0.2 4 PLC ±0.2 ANGLES ±° FINISH -		WEIGHT: -		RESTRICTED TO: -
MATERIAL: SEE TABLES. SHEETS PAGE 2 AND 3 OF 4		Customer Drawing	SIZE: A1	SCALE: 5:1
			00779	1241961
			SHEET 4 OF 6	REV E4

X-ON Electronics

Largest Supplier of Electrical and Electronic Components

Click to view similar products for [Automotive Connectors](#) category:

Click to view products by [TE Connectivity](#) manufacturer:

Other Similar products are found below :

[003-018-000](#) [60403001](#) [60993906-B](#) [M902-2131](#) [M902-2161](#) [M902-2344](#) [72.330.1035.1](#) [73.353.4028.0](#) [F119300-B](#) [F166900](#) [F258300-B](#)
[F358300-B](#) [F407400](#) [F444110](#) [F487000](#) [F509500B-B](#) [827153-1](#) [8N1515-32-24P](#) [9-1326729-8](#) [925474-1](#) [928905-1](#) [964562-4](#) [968782-1](#)
[GT17SA-8DS-HU](#) [98891-1012](#) [98947-1016](#) [12004147](#) [12004475-L](#) [12010290](#) [12010309-B](#) [12015454](#) [12020219-B](#) [12041318-B](#) [12052225-](#)
[L](#) [12052466](#) [12064869](#) [12004327-B](#) [12015308](#) [12015384](#) [12015909](#) [1-21030-1](#) [12041254](#) [12041318](#) [12047946-B](#) [12047957](#) [12047957-L](#)
[12059473](#) [12066261](#) [12110546](#) [12110546-B](#)