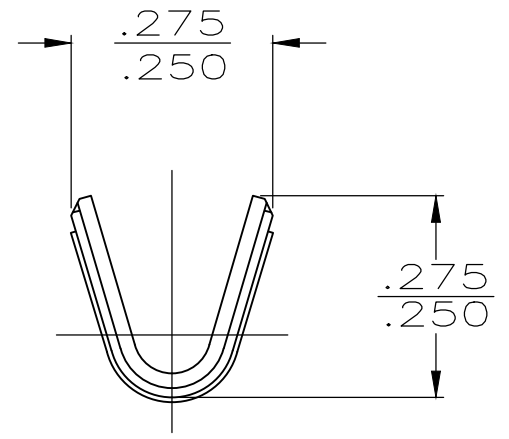
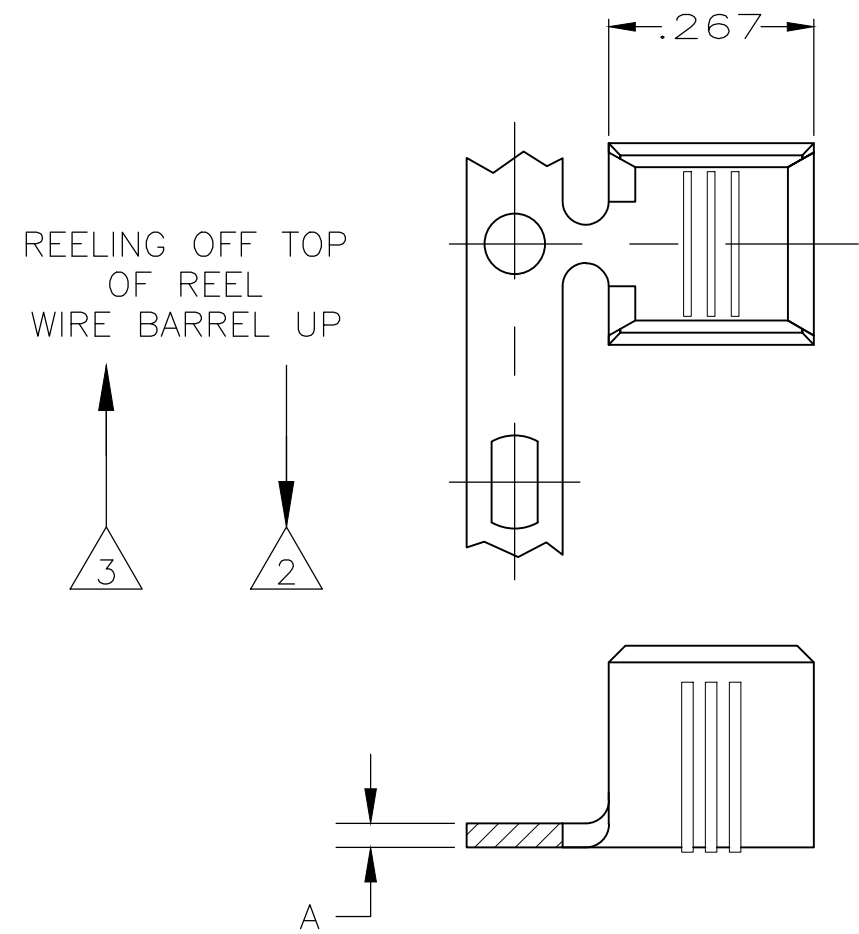


THIS DRAWING IS UNPUBLISHED. RELEASED FOR PUBLICATION
 © COPYRIGHT - By - ALL RIGHTS RESERVED.

LOC	DIST	REVISIONS					
AF	50	P	LTR	DESCRIPTION	DATE	DWN	APVD
		S2		REVISED PER ECR-19-017995	02DEC2019	PC	MK

- 1 PRODUCT PROVIDED IN STRIP FORM ON REELS;
BREAKS MAY BE PRESENT
- 2 STANDARD REELING.
- 3 REVERSE REELING.
- 4 CRIMP WIDTH: .180 F TYPE
CRIMP HEIGHT: (±.002) = (TOTAL CMA + 28,300) / 289,800
FOR APPLICATOR INFORMATION CALL: 1-800-722-1111
FOR PRODUCT INFORMATION CALL: 1-800-522-6752
- 5 WIRE RANGE FOR NEW APPLICATIONS: 7000-12,000 CMA
(WIRE RANGE APPROVED FOR APPLICATIONS IMPLEMENTED
PRIOR TO 2005: 9000-16,000 CMA).



	3	.031±.001	5	TIN	STEEL	61299-8
OBSOLETE						61299-6
OBSOLETE						61299-5
	2	.032±.001	5	NONE	BRASS	61299-3
		.031±.001			TIN	STEEL
REELING	A			FINISH	MATERIAL	PART NUMBER

THIS DRAWING IS A CONTROLLED DOCUMENT.

DWN 19DEC2002
MICHAEL S. FEHER

CHK 19DEC2002
GARY PORTA

APVD 19DEC2002
GARY PORTA

PRODUCT SPEC

APPLICATION SPEC

114-2088

WEIGHT -

CUSTOMER DRAWING

SCALE 4:1

SHEET 1 OF 1

REV S2

STE TE Connectivity

SPLICE

SIZE A3 CAGE CODE 00779 DRAWING NO C-61299 RESTRICTED TO -

X-ON Electronics

Largest Supplier of Electrical and Electronic Components

Click to view similar products for [Terminals](#) category:

Click to view products by [TE Connectivity](#) manufacturer:

Other Similar products are found below :

[00-054007-01074-6](#) [00-054007-70206-1](#) [00-054007-70210-8](#) [00-054007-70217-7](#) [00-054007-70226-9](#) [00-054007-70228-3](#) [00-054007-70248-1](#) [00-054007-70256-6](#) [00-054007-70301-3](#) [00-054007-70316-7](#) [00-054007-49560-4](#) [00-054007-70209-2](#) [00-054007-70225-2](#) [00-054007-70227-6](#) [00-054007-70231-3](#) [00-054007-70241-2](#) [00-054007-70242-9](#) [00-054007-70244-3](#) [00-054007-70246-7](#) [00-054007-70263-4](#) [00-054007-70288-7](#) [00-054007-70290-0](#) [00-054007-70300-6](#) [00-054007-70304-4](#) [01-2065-1-0216](#) [01-2900-1-04412](#) [00581P0075](#) [600TS-10](#) [60205-1](#) [604200-1](#) [605601-1](#) [60598-1-CUT-TAPE](#) [61314-6-C](#) [61810-3](#) [61-S](#) [61-SN](#) [626-0194](#) [62-NBM-A](#) [62-SN](#) [62-SP](#) [63-S](#) [640179-1](#) [M55155/059I03](#) [M55155/079C01](#) [M55155/099H02](#) [M55155/109H01](#) [M55155/109H02](#) [M55155/12XH05](#) [M55155/16XH02](#) [M55155/29-5S](#)