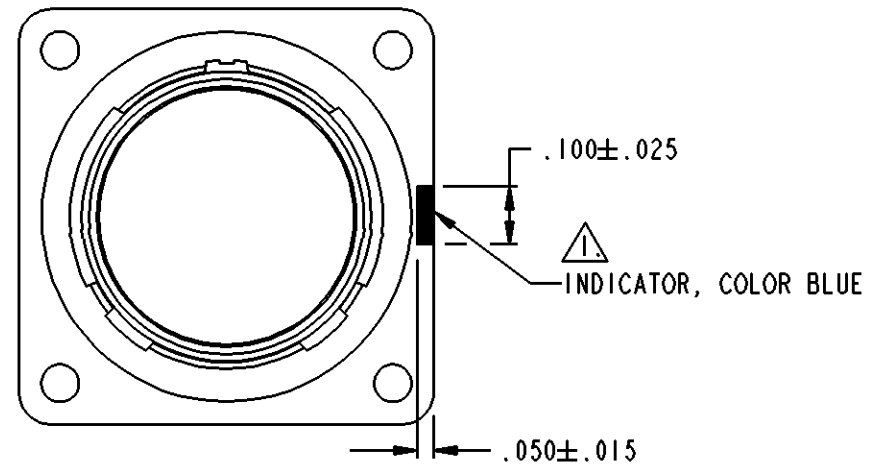
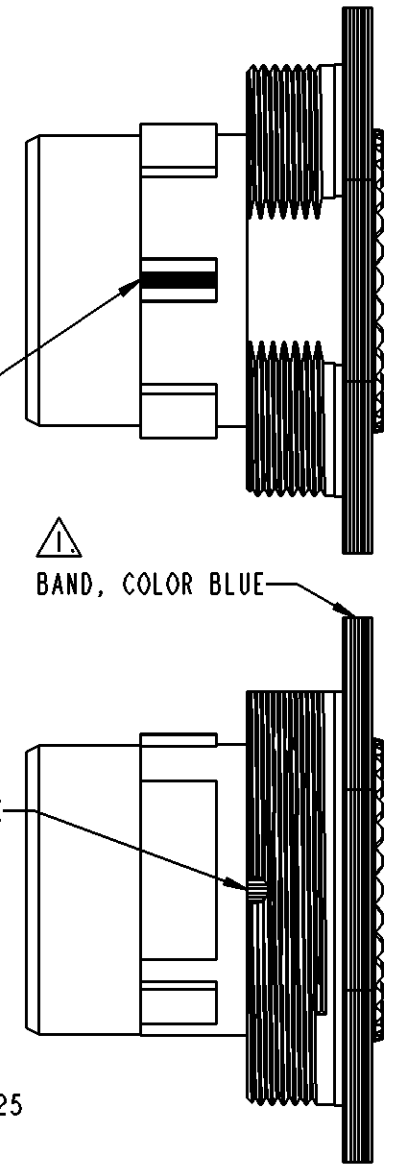
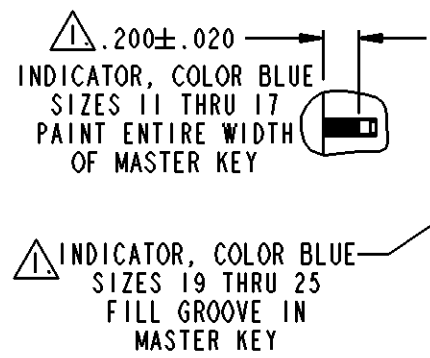
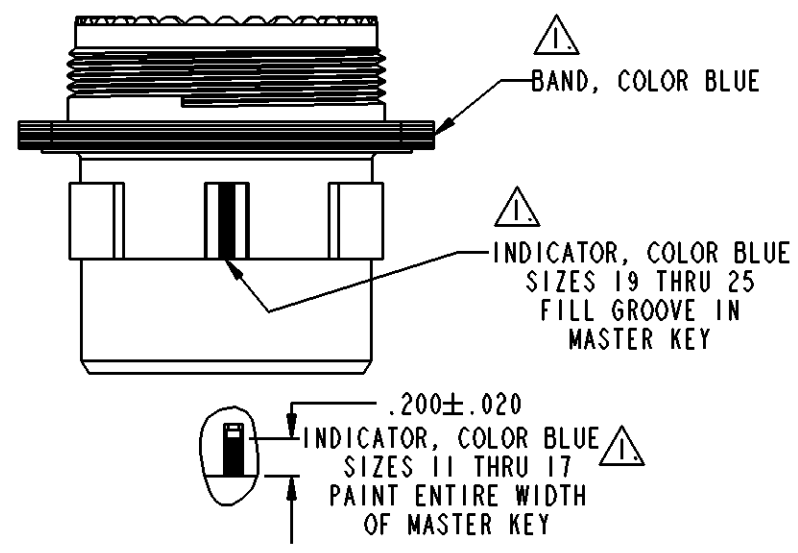


| REVISIONS | | | |
|-----------|----------------------------|--------|----------|
| REV | DESCRIPTION | DATE | APPROVED |
| - | NEW RELEASE PER E.O. C6776 | 011019 | C.F. |
| | | | |
| | | | |



(**)₁ - SIZE 11, 13, 15, 17, 19, 21, 23 AND 25

⚠ AFTER PLATING TO CORRECT PLATING LIST NUMBER, PAINT COLOR BAND AND INDICATOR AS SHOWN PER DPS 1-141-17, TYPE VII, CLASS 1, COLOR BLUE.

| | | |
|--|------------------|--------------------|
| UNLESS OTHERWISE SPECIFIED: DIMENSIONS ARE IN INCHES DECIMALS TO ± .005 ANGLES ± 30° T.I.R. .010 PARTS TO HAVE NO BURRS OR SHARP EDGES MATERIAL ALUM ALLOY 6061-T6 PER DMS 2-037-01 FINISH (**) ₂ = DPS #1 APPLIES | SIGNATURE & DATE | |
| | DR | D. WHITACRE 011016 |
| | CHK | C.F. 011019 |
| | PE | D. WHITACRE 011016 |
| | APPD | EHAN LATIF 070907 |
| | SCALE | NONE WT |

SHELL, RECEPTACLE
 SQ FLG & JAM NUT MOUNTING
 BREECH LOCK COUPLING
 DIV SERIES
 PLATED AND PAINTED FOR DISTRIBUTION
 INFORMATION

| | | |
|--|--|-------|
| CP | MATL CODE | 61 |
| DEUTSCH | | |
| ENGINEERED CONNECTING DEVICES | | |
| 5733 W. Whittier Ave. Hemel, California | | |
| A DWG SIZE | 6131-201/220-(**) ₁ (**) ₂ P | |
| | CODE | SHEET |
| 11139 | OF | 1 |

6131-201-220-XXXX

X-ON Electronics

Largest Supplier of Electrical and Electronic Components

Click to view similar products for [Circular MIL Spec Connector](#) category:

Click to view products by [TE Connectivity](#) manufacturer:

Other Similar products are found below :

[89075GULPR](#) [0025-262-542](#) [0025-264-3014](#) [58-570121-04S](#) [0134-213-1208](#) [0134-213-2209](#) [0025-258-000](#) [60-042022-07P](#) [60-042022-19P](#)
[60-042022-23P](#) [60-042217-10P](#) [0114-201-1278](#) [012-0467-000](#) [602GB06EG24-61SN](#) [0134-201-1207](#) [0134-213-1006](#) [6104-207-2302](#) [6104-](#)
[208-1902](#) [61-168211-04P](#) [61-168617-10P](#) [6131-202-19149P](#) [6131-204-21149P](#) [6131-208-13149P](#) [6131-209-17149P](#) [6131-210-11149P](#) [6131-](#)
[211-19149P](#) [6131-216-19149P](#) [6131-259-21149P](#) [6131-259-23149P](#) [6131-265-17149P](#) [6131-265-19149P](#) [CS3100A18-1P-472](#) [CS3100A-36-](#)
[77P](#) [CS3101A-16-55P](#) [CS3102A-10SL-55P](#) [CS3102A-14S-58P](#) [CS3102A-32-17P](#) [CS3102A32-25S](#) [CS3102C18-4P-472](#)
[CS3106A10SL3S004](#) [CS3106A-18-73S](#) [CS3108A-14S-52S](#) [CS3108A-28-51S](#) [6162-233-1277](#) [6162-324-1231](#) [M243082296Z](#)
[M2884010AC1S1](#) [CT0-24-10SC](#) [CT0M20-7PCAU](#) [M28840/17AC1G3](#)