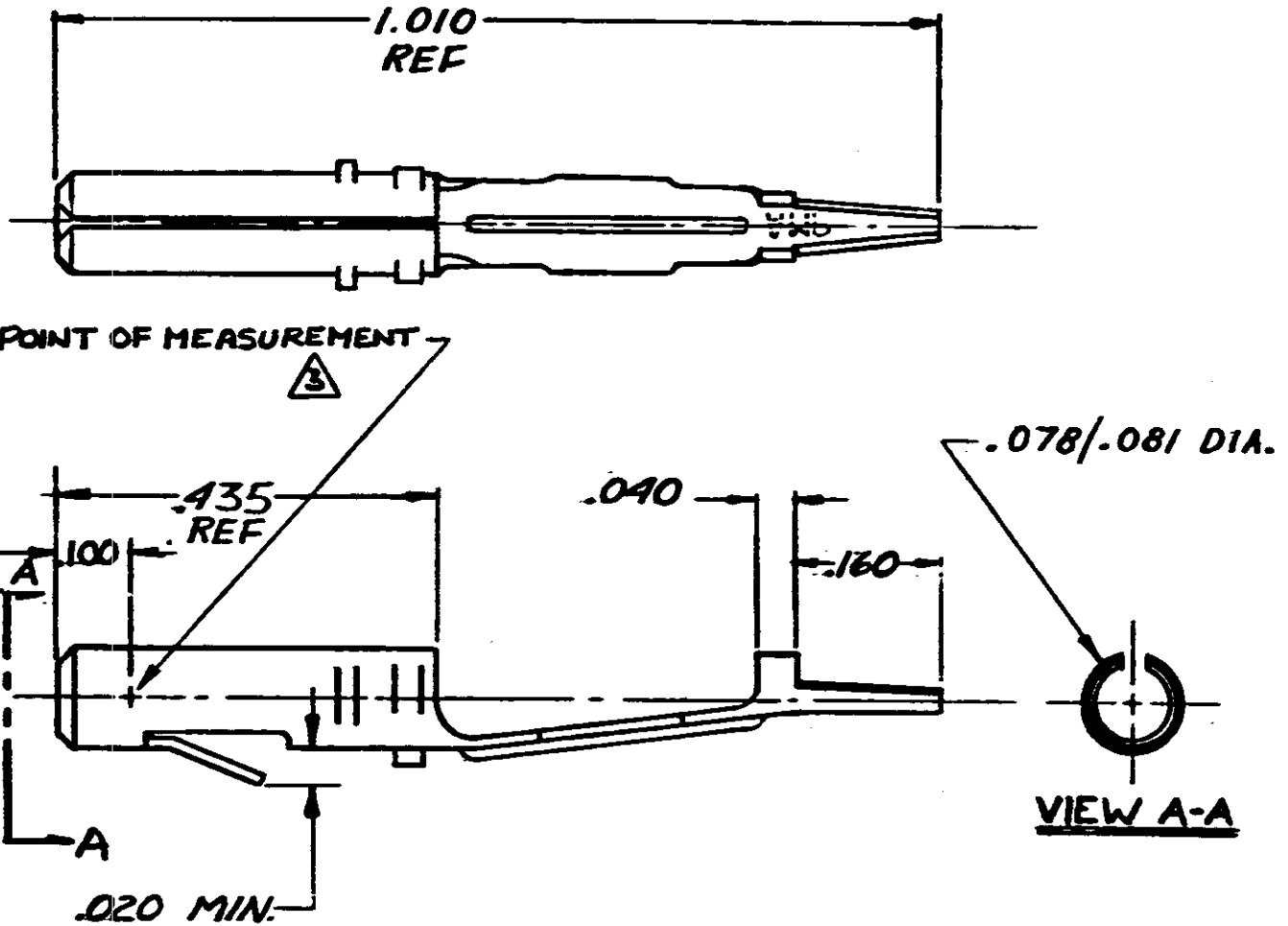


SHEET 1 OF 2  
NUMBER 61320



1. TERMINAL SUPPLIED IN INDIVIDUAL FORM, NOT AS CONTINUOUS STRIP.
2. PARTS COMPLY WITH AMP SOLDERABILITY SPEC. NO. 109-11-3
3. .000030 GOLD OVER .000050 NICKEL.
4. OBSOLETE PARTS: OBSOLETE CIS STREAMLINING PER D.RENAUD/D.SINISI

BRIGHT TIN	.012 PH. BRZ	61320-4
GOLD $\Delta$		61320-2 $\Delta$
PRE-TIN		61320-1
FINISH	MATERIAL	PART NO

© 1967 BY AMP INCORPORATED. ALL RIGHTS RESERVED. AMP PRODUCTS COVERED BY PATENTS AND/OR PATENTS PENDING.

CUSTOMER COPY REFERENCE ONLY

**AMP** AMP INCORPORATED WARRINGBURG, PENNA.

CLASS \_\_\_\_\_ X \_\_\_\_\_

WIRE - RANGE - INSULATION TYPE \_\_\_\_\_ X \_\_\_\_\_

TOLERANCE EXCEPT AS NOTED  $\pm$  .015

SCALE 5x1

LOC CM, A

NO SHEET OF 2

REV U2

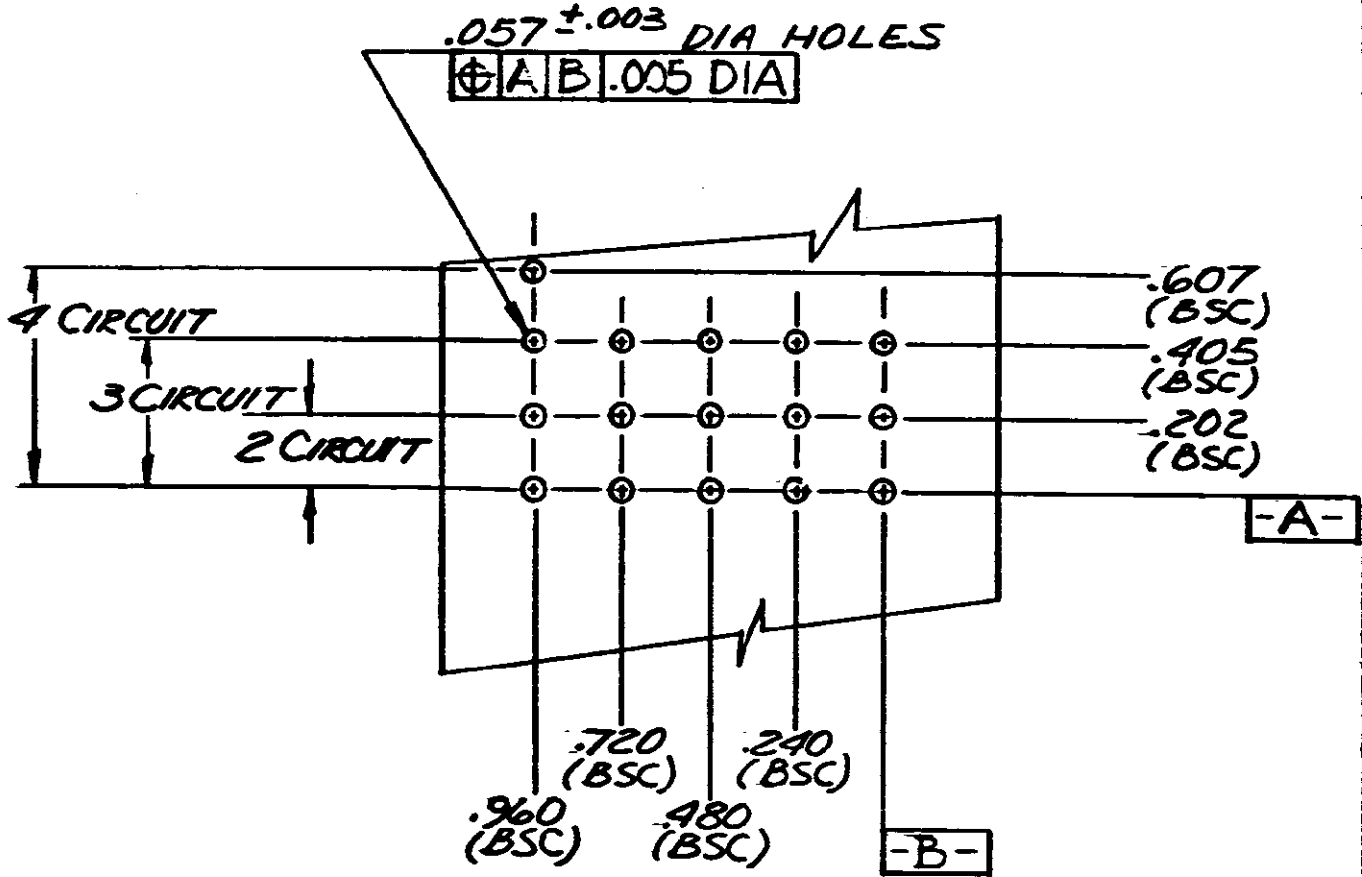
NAME MATE-N-LOK SOCKET WITH P.C. BOARD TAB

U2	REV PER ECO-10-000445	KK	HMR	JAN 2010
U1	RESTORED	BD	RS	1/15/85
U	REV PER AG-118			1/15/83
T	REV PER AG-25			1/15/83
S	ECN M-7426			1/15/83
R	SMT1 REV. & REDOWN	M-7310		1/15/83
-TR	REVIS. C. RECORD	DN	CHK	DATE
DR	4-15-83	DS		1/21
53	D. B. SATZEL			

DIMENSIONS IN INCHES. DO NOT SCALE PRINT.

DRAWING MADE IN AMERICAN PROJECTION

SHEET 2 OF 2  
NUMBER 61320



1. FOR 3, 4, 6, 9, 12, AND 15 CIRCUIT PANEL MOUNT HOUSINGS ONLY.

DIMENSIONS IN INCHES. DO NOT SCALE PRINT.

SEE SHEET 1			
-------------	--	--	--

© 1968 BY AMP INCORPORATED. ALL RIGHTS RESERVED. AMP PRODUCTS COVERED BY PATENTS AND/OR PATENTS PENDING

CUSTOMER COPY  
REFERENCE ONLY

MATERIAL AND FINISH



AMP INCORPORATED  
HARRISBURG, PENNSA

CLASS #

WIRE — RANGE — INSULATION  
# — #

TYPE #

LTR	REVISION RECORD	ECN	DR	DATE
	6-2-68		JIM KUNKLE	

TOLERANCE EXCEPT AS NOTED ± .015	SCALE 2-1	LOC CM A	NO SHEET 2 OF 2 61320	REV U2
NAME RECOMMENDED HOLE LOCATIONS FOR MOUNTING MATE-N-LOK HOUSINGS				

## X-ON Electronics

Largest Supplier of Electrical and Electronic Components

*Click to view similar products for [Pin & Socket Connectors](#) category:*

*Click to view products by [TE Connectivity](#) manufacturer:*

Other Similar products are found below :

[6450822-1](#) [770392-1](#) [794042-1](#) [796885-1](#) [8-794535-1](#) [PLR3455ACS-222](#) [R929991004](#) [R929993003](#) [1403611-1](#) [1-480349-5](#) [152302-5](#)  
[153211-2](#) [1586092-1](#) [1586129-1](#) [1586681-4](#) [1586700-1](#) [1586368-1](#) [1586380-1](#) [1586616-1](#) [1586680-5](#) [16-06-0038](#) [164164-5](#) [1-6609930-1](#)  
[172296-1](#) [19-09-2035](#) [200503-1](#) [200788-2](#) [2029090-4](#) [2029095-4](#) [925061-7](#) [293734-4](#) [293737-2](#) [1-765362-4](#) [1871534-1](#) [200833-4](#)  
[2008625-2](#) [2029027-2](#) [2029096-4](#) [R929991000](#) [R929991002](#) [R929993000](#) [319-10-101-00-005000](#) [319-10-102-00-001000](#) [319-10-104-00-001000](#) [319-10-105-00-001000](#) [319-10-108-00-001000](#) [319-10-112-00-006000](#) [39-01-8019](#) [319-10-101-00-001000](#) [319-10-102-00-005000](#)