

THIS DRAWING IS UNPUBLISHED.

RELEASED FOR PUBLICATION SEPT , 2005.

© COPYRIGHT 2005 By -

ALL RIGHTS RESERVED.

LOC	DIST	REVISIONS					
E	B	P	LTR	DESCRIPTION	DATE	DWN	APVD
		D1		REVISED PER ECO-11-005033	31MAR11	RK	HMR

NOTES:

- 1 PACK IN ACCORDANCE WITH AMP SPEC 107-3275
- 2 100 TRAY PACK IN ACCORDANCE WITH AMP SPEC 107-3275
- 3 Au PLATING

4 ELECTRICAL CHARACTERISTICS

FREQUENCY RANGE: DC - 4 GHz
 NOMINAL IMPEDANCE: 50 Ohm
 INSULATION RESISTANCE: 1000 MOhm
 WORKING VOLTAGE: 250 Volts RMS at Sea Level
 DIELECTRIC WITHSTAND VOLTAGE: 750 Volts RMS Max
 CONTACT RESISTANCE:
 CENTRE CONTACT: 6.00 mOhm Max
 OUTER CONTACT: 1.00 mOhm Max

5 MECHANICAL CHARACTERISTICS

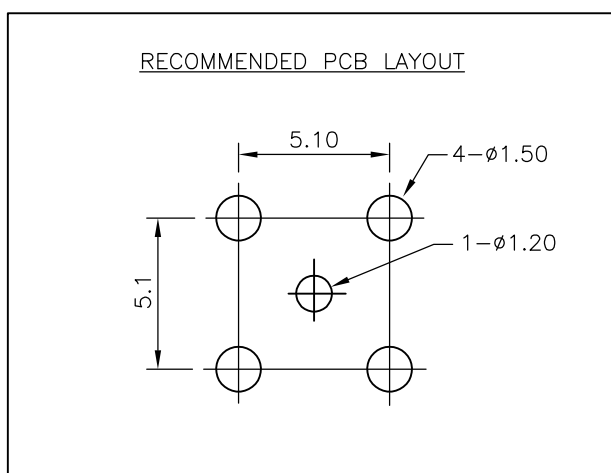
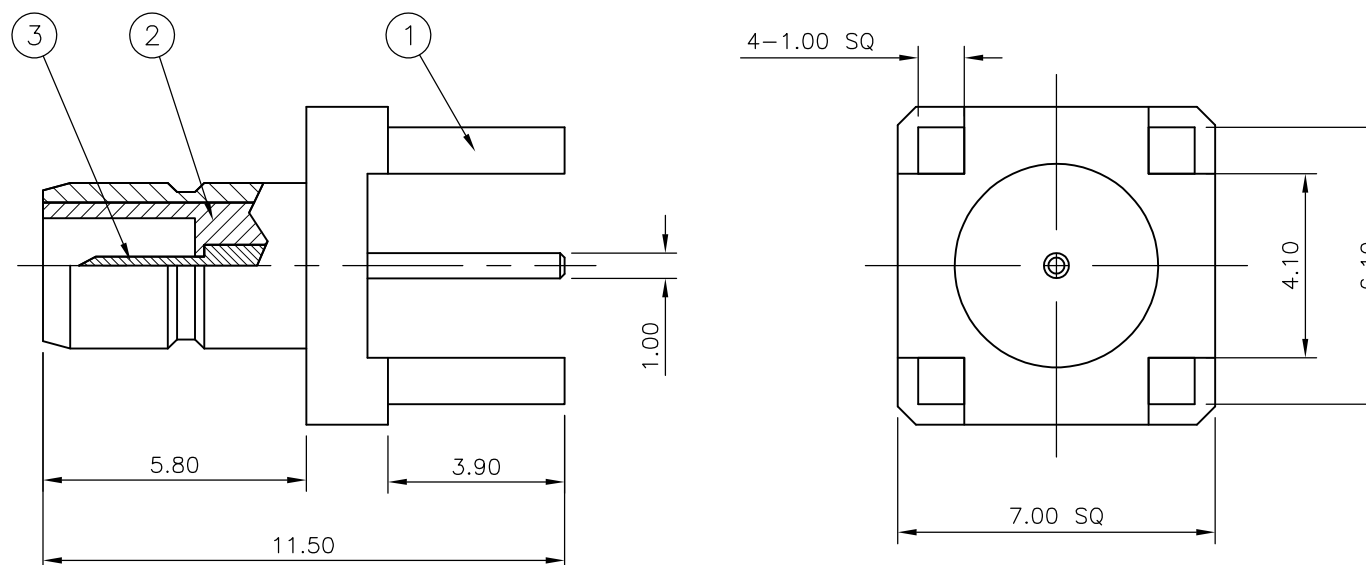
DURABILITY: 500 Cycles Min

6 ENVIRONMENTAL CHARACTERISTICS

OPERATING TEMPERATURE: -65 to +165 DegC

7 FOR TECHNICAL DATA REFER TO YOUR LOCAL TE CONNECTIVITY SALES OFFICE

8 ALL DIMENSIONS ARE NOMINAL FOR REFERENCE ONLY UNLESS OTHERWISE STATED



QTY	PLC	DESCRIPTION	ITEM
1	1	BRASS CONTACT	3
1	1	PTFE INSULATION	2
1	1	BRASS BODY	1
6--0	1--0	MATERIAL	DESCRIPTION
			ITEM

THIS DRAWING IS A CONTROLLED DOCUMENT.		DWN J.SANDWELL 07SEPT05												
DIMENSIONS: mm		CHK S.PARLOW 07SEPT05												
TOLERANCES UNLESS OTHERWISE SPECIFIED:		APVD F.WHEELER-KING 07SEPT05												
<table border="1"> <tr><td>0 PLC</td><td>± -</td></tr> <tr><td>1 PLC</td><td>± -</td></tr> <tr><td>2 PLC</td><td>± -</td></tr> <tr><td>3 PLC</td><td>± -</td></tr> <tr><td>4 PLC</td><td>± -</td></tr> <tr><td>ANGLES</td><td>± -</td></tr> </table>		0 PLC			± -	1 PLC	± -	2 PLC	± -	3 PLC	± -	4 PLC	± -	ANGLES
0 PLC	± -													
1 PLC	± -													
2 PLC	± -													
3 PLC	± -													
4 PLC	± -													
ANGLES	± -													
MATERIAL SEE TABLE	FINISH -	PRODUCT SPEC -	SMB STRAIGHT PCB SOCKET 50 OHM											
		APPLICATION SPEC -	SIZE A3	CAGE CODE 00779	DRAWING NO C-1337482									
		WEIGHT -	RESTRICTED TO -											
		CUSTOMER DRAWING	SCALE NTS	SHEET 1 OF 1	REV D1									

X-ON Electronics

Largest Supplier of Electrical and Electronic Components

Click to view similar products for [RF Connector Tools](#) category:

Click to view products by [TE Connectivity](#) manufacturer:

Other Similar products are found below :

[R282744011](#) [R282744061](#) [R282744220](#) [R282918120](#) [R282120010](#) [4-1532129-0](#) [6-1337482-0](#) [R282730040](#) [R282743120](#) [R282730043](#)
[R282918200](#) [R282744100](#) [23W100-000](#) [23W101-000](#) [TA-0397](#) [227-1497](#) [R282589210](#) [R282868280](#) [R282918210](#) [GK-S400TT](#) [GK-](#)
[S600TT](#) [GK-S240TT](#) [GK-S900TT](#) [500-12-000](#) [X.FL-LP-IN.OUT1](#) [500-32-010](#) [W1W002-000](#) [RFMODE1.5](#) [CS24-1](#) [500-32-015](#) [W1W005-](#)
[000](#) [W1W001-000](#) [500-32-004](#) [500-38-002](#) [500-32-008](#) [227-T2000](#) [500-12-019](#) [500-32-007](#) [500-32-022](#) [500-38-004](#) [500-38-006](#)
[500-38-008](#) [500-80-014](#) [CS10](#) [CS12](#) [CS14](#) [CS16](#) [CS20](#) [CS32](#) [CS8](#)