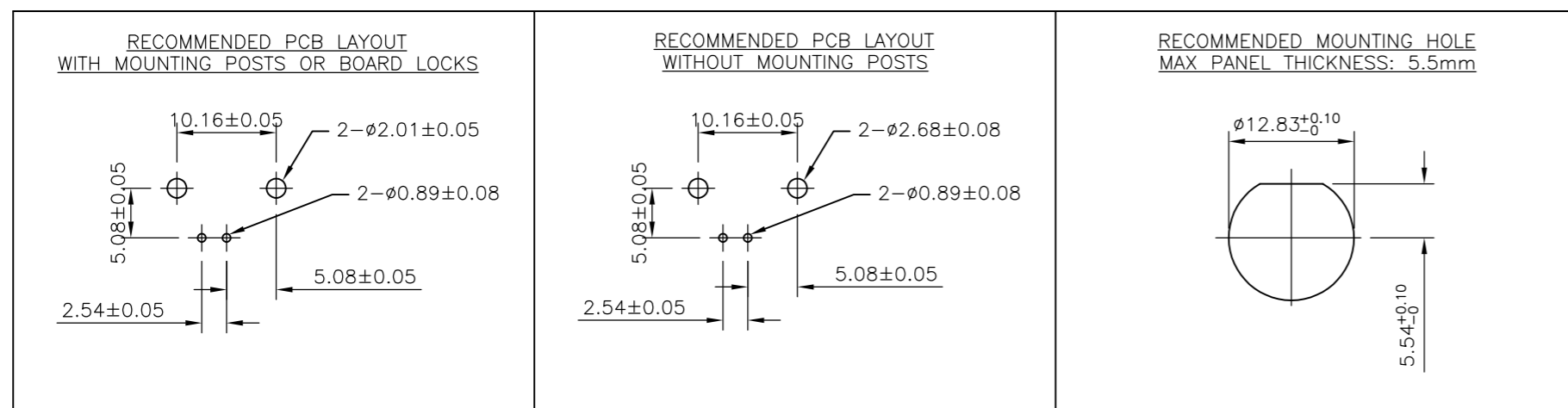
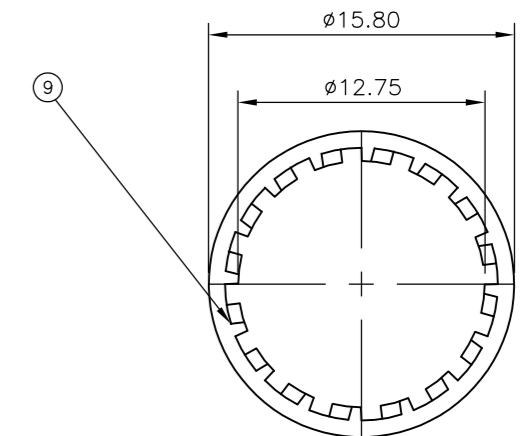
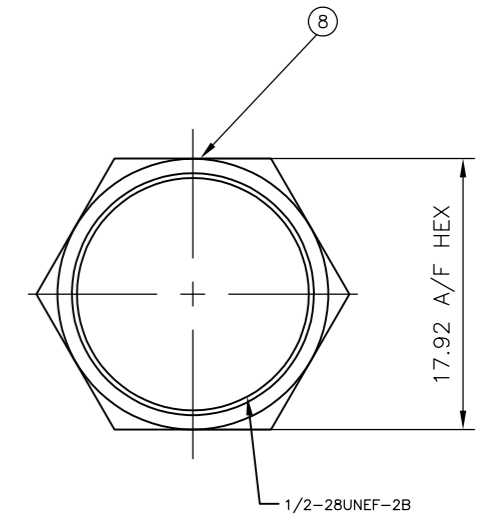
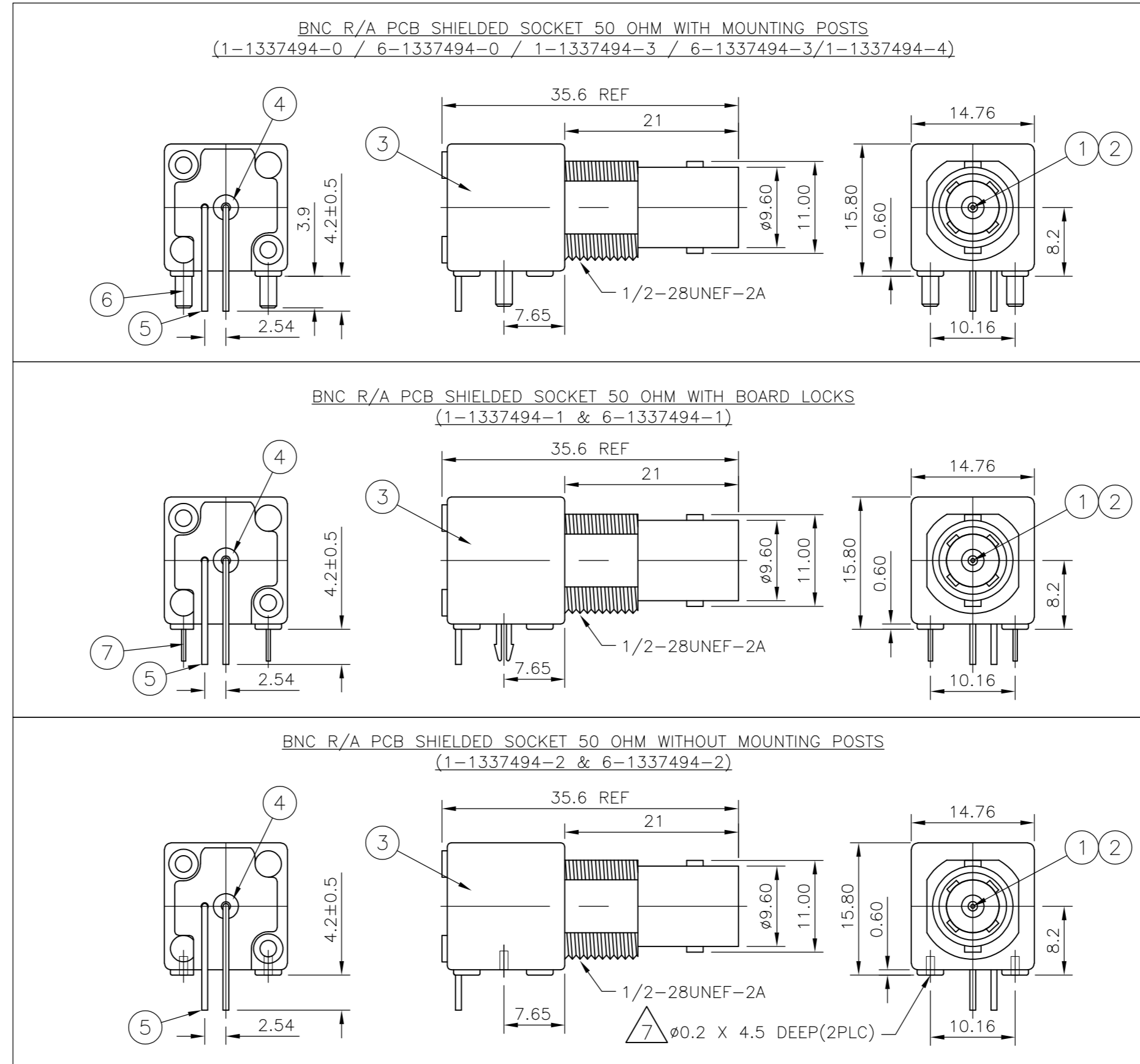


THIS DRAWING IS UNPUBLISHED. RELEASED FOR PUBLICATION AUGUST, 2005.
 © COPYRIGHT 2005 By - ALL RIGHTS RESERVED.

LOC		DIST		REVISIONS			
P	LTR	DESCRIPTION		DATE	DWN	APVD	
F2		REVISED PER ECO-12-009825		19NOV12	KH	FB	

- 1 SINGLE PACK IN ACCORDANCE WITH AMP SPEC 107-3275
- 2 50 TRAY PACK IN ACCORDANCE WITH AMP SPEC 107-3275
- 3 FLASH Au PLATING OVER Ni PLATING OVER Cu PLATING
- 4 0.8µm Au PLATING OVER Ni PLATING OVER Cu PLATING
- 5 Ni PLATING OVER Cu PLATING
- 6 TIN PLATING
- 7 RECOMMENDED SELF-TAPPING SCREW 221108-4
- 8 RECOMMENDED MOUNT NUT 1-1634816-0
- 9 RECOMMENDED LOCKWASHER 1-1634817-0
- 10 FOR TECHNICAL DATA REFER TO YOUR LOCAL TE CONNECTIVITY SALES OFFICE
- 11 ALL DIMENSIONS ARE NOMINAL FOR REFERENCE ONLY UNLESS OTHERWISE STATED
- 12 OBSOLETE



QUANTITY PER ASSY										PARTS LIST			
1	-	-	-	-	-	-	-	-	-	STEEL	5	LOCK WASHER	9
1	-	-	-	-	-	-	-	-	-	BRASS	5	NUT	8
-	-	-	-	2	2	-	-	-	-	BRASS	6	BOARD LOCK	7
2	2	2	-	-	-	-	2	2	2	BRASS	6	MOUNTING POST	6
1	1	1	1	1	1	1	1	1	1	BRASS	6	SOLDER TAIL	5
1	1	1	1	1	1	1	1	1	1	PE-606	4	INSULATOR	4
1	1	1	1	1	1	1	1	1	1	ZINC ALLOY	5	BODY	3
-	1	1	-	-	-	-	-	-	-	BRASS	4	CONTACT	2
1	-	-	1	1	1	1	1	1	1	PHOSPHOR BRONZE	3	CONTACT	1
1--4	6--3	1--3	6--2	1--2	6--1	1--1	6--0	1--0		MATERIAL		DESCRIPTION	ITEM

THIS DRAWING IS A CONTROLLED DOCUMENT.

DWN RITA ZUO 14 Feb 09
 CHK ANSON MA 14 Feb 09
 APVD BOB ZHAO 14 Feb 09

TE Connectivity

BNC R/A PCB SHIELDED SOCKET 50 OHM

108-112000

SIZE A2 CAGE CODE 00779 DRAWING NO C=1337494 RESTRICTED TO -

WEIGHT - SCALE NTS SHEET 1 OF 1 REV F2

CUSTOMER DRAWING

X-ON Electronics

Largest Supplier of Electrical and Electronic Components

Click to view similar products for [RF Connectors / Coaxial Connectors](#) category:

Click to view products by [TE Connectivity](#) manufacturer:

Other Similar products are found below :

[8915-1511-000](#) [89674-0827](#) [6001-7071-019](#) [6002-7051-003](#) [6002-7551-202](#) [6059674-1](#) [619550-1](#) [630059-000](#) [M39030/3-01N](#) [6500-7071-046](#) [6769](#) [CX050L2AQ](#) [7002-1541-010](#) [7002-1542-011](#) [7004-1512-000](#) [7009-1511-004](#) [7010-1511-000](#) [7029-1511-060](#) [7101-1541-010](#) [7101-1571-002](#) [7105-1521-002](#) [7145-1521-002](#) [7203-1571-003](#) [7209-1511-011](#) [7210-1511-015](#) [7210-1511-019](#) [73137-5015](#) [73216-2241](#) [73404-2300](#) [7405-1521-005](#) [7405-1521-802](#) [8527](#) [8547](#) [FS11V](#) [877931](#) [9049-9513-000](#) [9074-9513-000](#) [9101-9573-002](#) [910A205F](#) [9130-9573-002](#) [PL11SC-026](#) [PL375-33](#) [PL40-5](#) [PL74C-221](#) [PL75MC-217](#) [PL803-7](#) [1200690078](#) [1-201144-1](#) [R107003010W](#) [R110A172100](#)