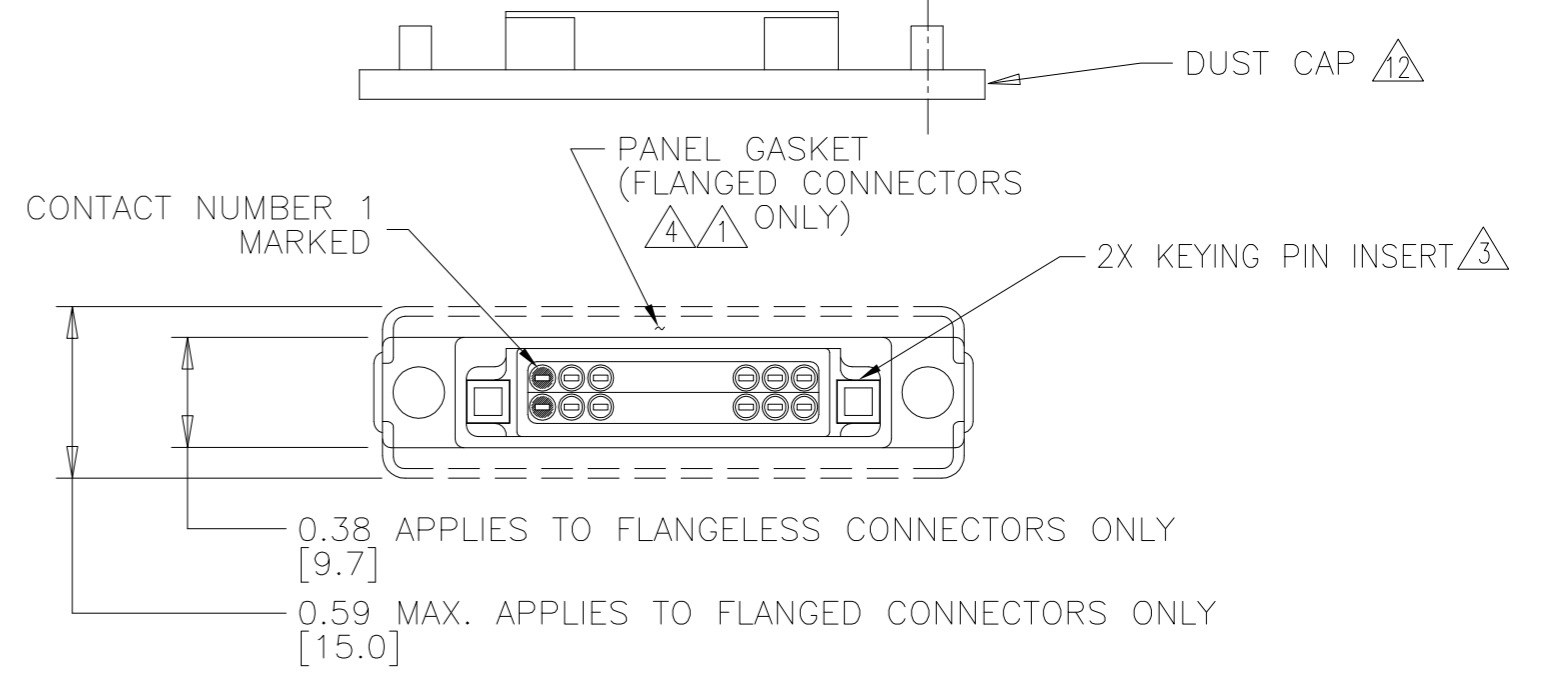
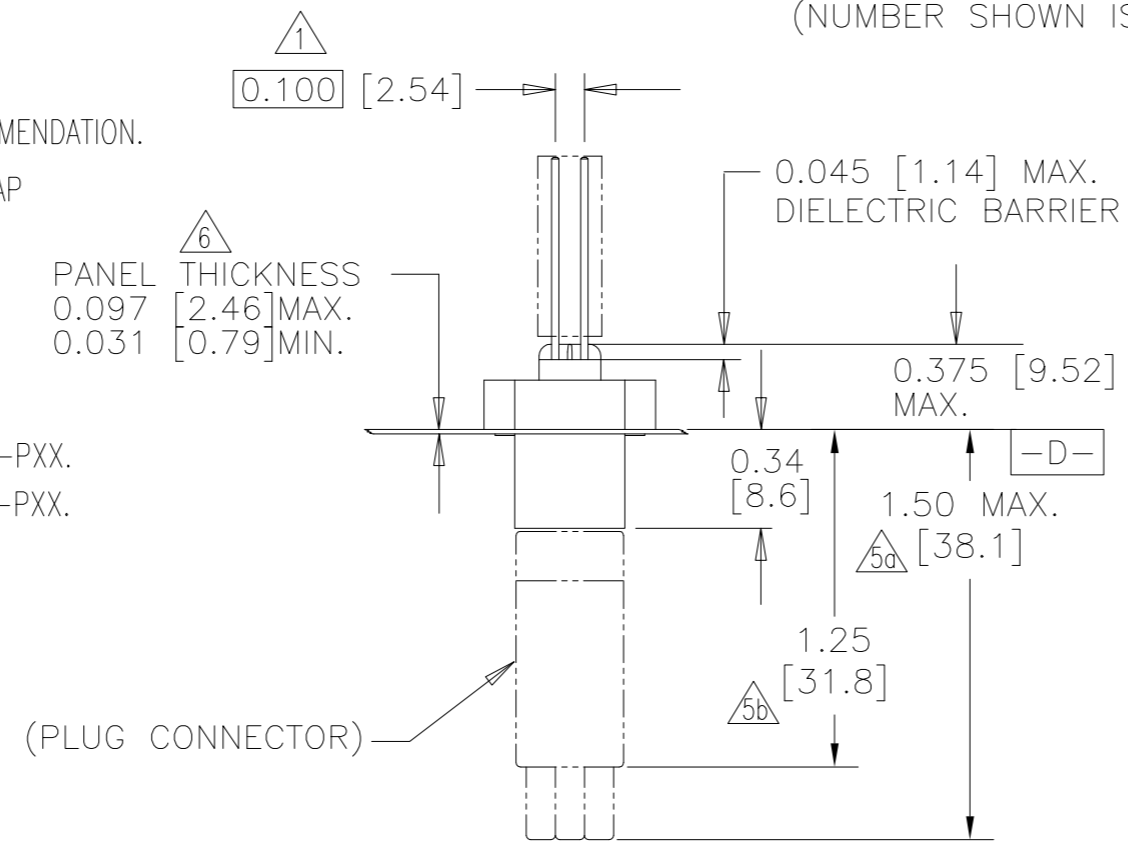
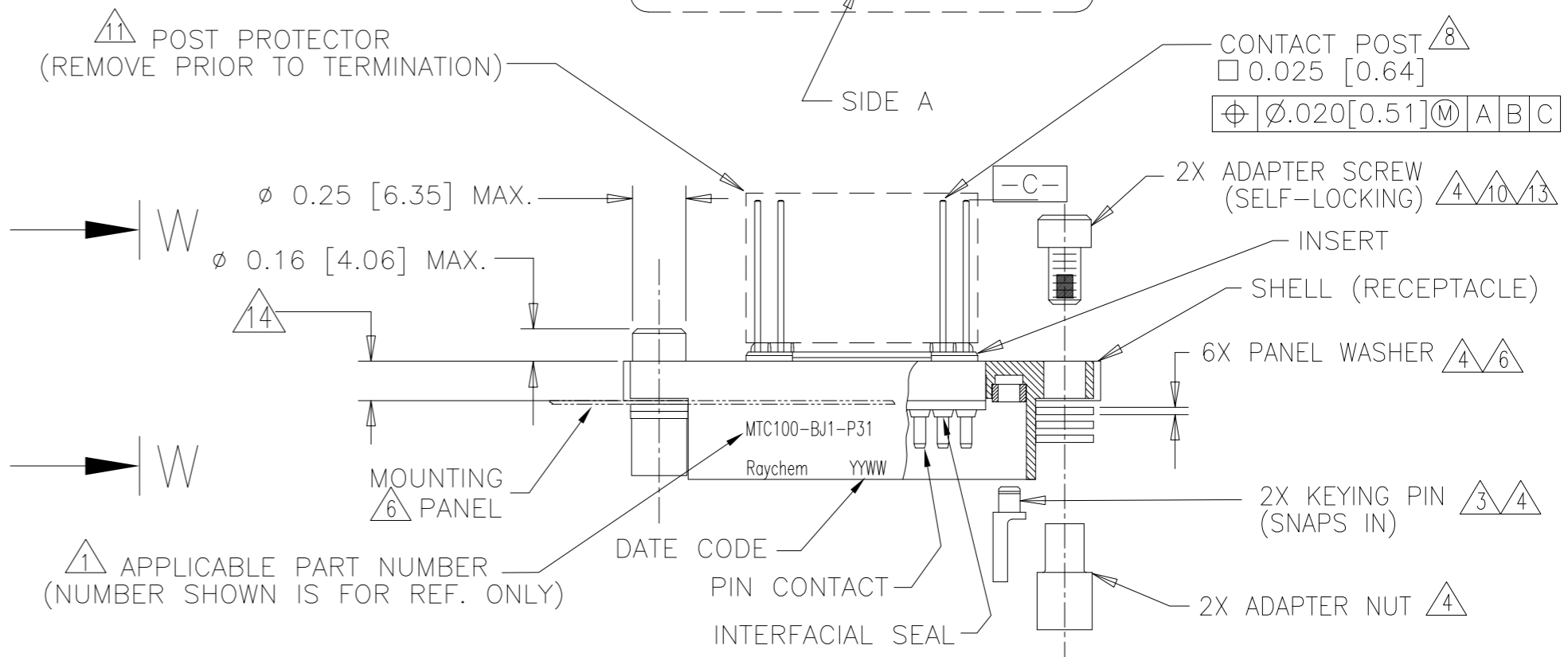
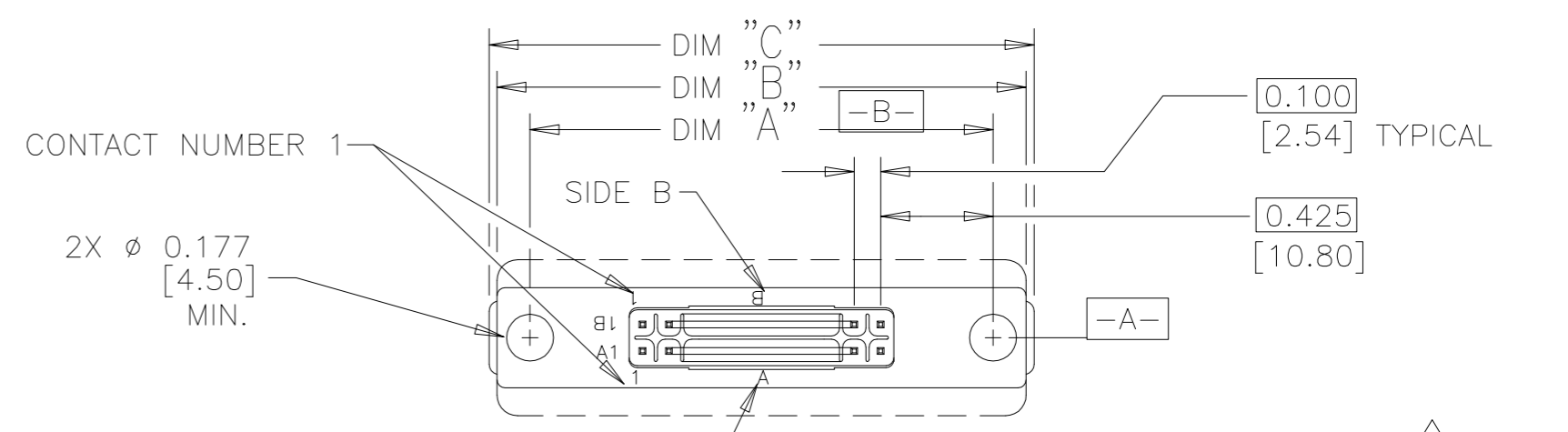


NOTES:

- 1. PART NUMBER VARIABLES: (SEE SHEET 2 FOR ADDITIONAL INFORMATION)
NOT ALL POSSIBLE CONFIGURATIONS SHOWN ON THIS DRAWING ARE AVAILABLE AS STANDARD PRODUCTS. PLEASE CHECK WITH TE CONNECTIVITY TO CONFIRM AVAILABILITY.
- MTC100-BXX-PXX-XXX MODIFICATION NUMBER. REFER TO APPLICABLE MOD DESCRIPTION SHEET. "BLANK WHEN NOT APPLICABLE"
- 1=LONG TAIL
2=SHORT TAIL
3=90° IN "B" DIRECTION
- 2=NICKEL PLATE
3=CADMIUM OVER NICKEL PLATE
- 1=1 INCH
2=2 INCH
- F=FLANGED WITH STANDARD PANEL GASKET
S=FLANGED/SHIELDED WITH EME PANEL GASKET
J=FLANGELESS
Y=SPECIALS: REFER TO INDIVIDUAL SPECIFICATION CONTROL DRAWINGS FOR DESCRIPTIONS
- 2. A BOX MOUNT RECEPTACLE MATES WITH A MTC PLUG CONTAINING SOCKET INSERTS. REFER TO APPLICABLE TE CONNECTIVITY SPECIFICATION CONTROL DRAWING FOR DETAILS.
- 3. FOR KEYING INFORMATION, SEE TE CONNECTIVITY DRAWING D-659-0080.
- 4. THESE ITEMS ARE SUPPLIED UNASSEMBLED.
- 5. DIMENSION SHOWN IS WITH MATED PLUG CONNECTOR: a. WITH CABLE CLAMP
b. WITHOUT CABLE CLAMP AND WITHOUT EARS
- 6. THIS BOX MOUNT RECEPTACLE IS REAR PANEL MOUNTED BY REMOVING AS MANY PANEL WASHERS AS REQUIRED TO ACCOMMODATE THE THICKNESS OF THE PANEL BEING USED. SEE SHEET 2, TABLE 2, AND SHEET 3, FIGURE 2.
- 7. FOR FRONT PANEL MOUNTING OF A FLANGELESS CONNECTOR, USE HARDWARE KIT CHA-0038-00 AND REFER TO THAT SPECIFICATION CONTROL DRAWING FOR APPLICATION DETAILS.
- 8. WIRE WRAPPABLE POST DESIGNED BY STANDARD WIRE WRAP SPECIFICATION.
- 9. WHEN MOUNTING FLANGELESS CONNECTORS ADJACENT TO ONE ANOTHER AND USING THE .400 MINIMUM CENTERLINE LOCATION, THERE WILL BE NO WEB BETWEEN PANEL CUT-OUTS. SEE SHEET 3, FIGURE 2 FOR DETAILS.
- 10. KIT NUMBER CHA-0046 IS AVAILABLE FOR MOUNTING A CONNECTOR TO A PRINTED CIRCUIT BOARD. SEE SHEET 3, FIGURE 3 FOR HOLE PATTERN RECOMMENDATION.
- 11. SEE SHEET 3, TABLE 3, FOR WEIGHTS. WEIGHTS SHOWN ARE WITHOUT DUST CAP AND WITHOUT POST PROTECTOR.
- 12. DUST CAP SUPPLIED WITH ASSEMBLY.
- 13. TORQUE MOUNTING HARDWARE TO: 14-16 IN-LBS.
- 14. THE FLANGE THICKNESS IS DIFFERENT ACCORDING TO SHELL STYLE AND SIZE.
THE THICKNESS: 0.170 [4.32] FOR P/N MTC100-BF2-PXX AND MTC100-BS2-PXX.
THE THICKNESS: 0.160 [4.06] FOR P/N MTC100-BX1-PXX AND MTC100-BJ2-PXX.

| REVISIONS | | | |
|-----------|---------------------------|---------|----------|
| LTR | DESCRIPTION | DATE | APPROVED |
| J1 | REVISED PER ECO-11-005139 | 29MAR11 | RK/HMR |



VIEW W-W

CUSTOMER DRAWING

IF THIS DOCUMENT IS PRINTED IT BECOMES UNCONTROLLED. CHECK FOR THE LATEST REVISION.

| | | | | | |
|---|------------------------|--------------------|------------|--|-----|
| UNLESS OTHERWISE SPECIFIED DIMENSIONS ARE IN INCHES. METRIC DIMENSIONS ARE IN BRACKETS. DECIMALS .XXX ± .005 {0.13mm} .XX ± .01 {0.25mm} ANGLES .X ± WEIGHT | RE-DRAWN | J.VALENTA | 04/20/99 | TE Connectivity Raychem Interconnect 300 Constitution Drive Menlo Park, CA 94025 U.S.A | |
| | CHECKED | | | | |
| | APPROVED | M.HIGGY | 04/23/99 | | |
| | APPROVED | | | | |
| | CAD NAME | MTC100-BXX-PXX-XXX | | TITLE | |
| | THIRD ANGLE PROJECTION | | | CONNECTOR, RECEPTACLE, BOX MOUNT, .025 SQ., TERMINATION POST, MTC100 SERIES | |
| | | SIZE | CAGE CODE: | DWG. NO. | REV |
| | | C | 06090 | MTC100-BXX-PXX-XXX | J1 |
| | | SCALE: NONE | | SHEET 1 OF 3 | |

SHEET 1
DWG. NO. MTC100-BXX-PXX-XXX

4

3

2

1

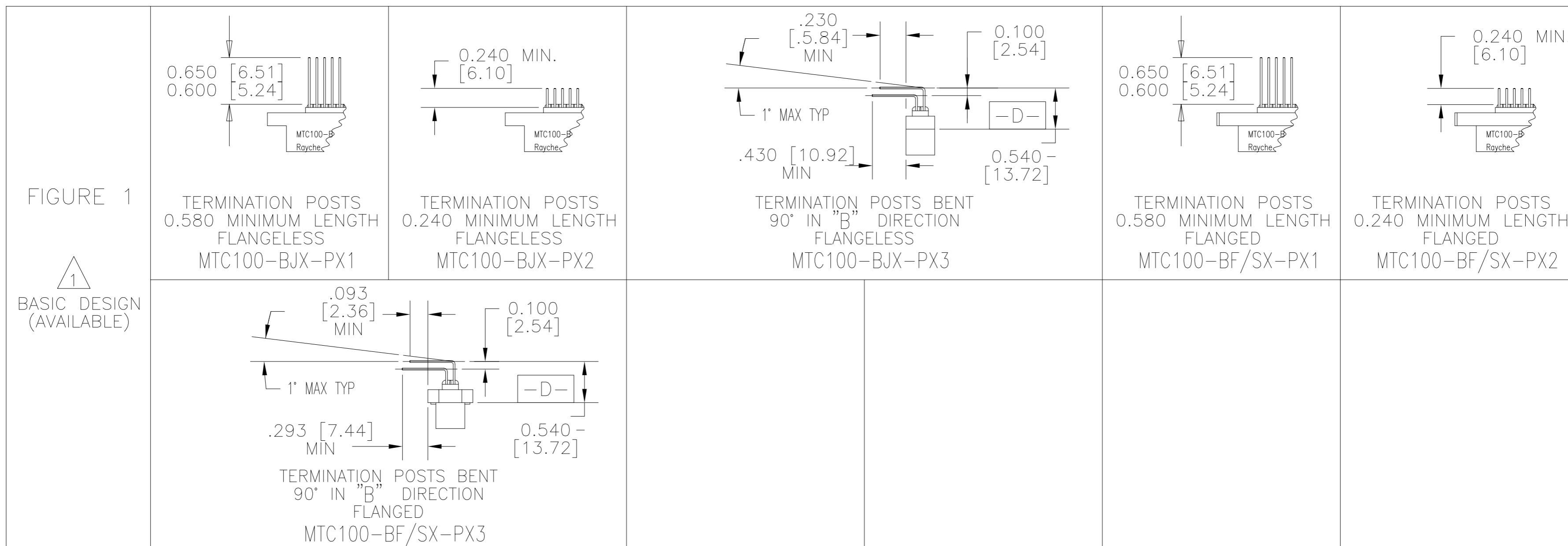


TABLE 1

| CONNECTOR SIZE | "A" | "B" | "C" | "X" | "Y" | "Z" (MIN) | |
|----------------|------------|------------------|----------------|----------------|------------------|------------------|------------------|
| 1 INCH | FLANGELESS | 1.750 [44.45] | 2.00 [50.8] | X | 1.750 [44.45] | 1.520 [38.61] | 0.400 [10.16] |
| | FLANGED | 1.750 [44.45] | X | 2.06 [52.3] | 1.750 [44.45] | 1.520 [38.61] | 0.600 [15.24] |
| 2 INCH | FLANGELESS | 2.750 [69.85] | 3.00 [76.2] | X | 2.750 [69.85] | 2.520 [64.00] | 0.400 [10.16] |
| | FLANGED | 2.750 [69.85] | X | 3.06 [77.7] | 2.750 [69.85] | 2.520 [64.00] | 0.600 [15.24] |

TABLE 2

| PANEL THICKNESS | NUMBER OF PANEL WASHERS FOR EACH FASTENER |
|----------------------------|---|
| 0.031/0.036 [0.8]/[0.9] | 2 |
| 0.062/0.067 [1.5]/[1.7] | 1 |
| 0.93/0.097 [2.3]/[2.4] | 0 |

IF THIS DOCUMENT IS PRINTED IT BECOMES UNCONTROLLED.
CHECK FOR THE LATEST REVISION.

CUSTOMER DRAWING

| | | | |
|------------------------------|---------------------|--------------------------------|--------------|
| SIZE C | CAGE CODE: 06090 | DWG. NO. MTC100-BXX-PXX-XXX | REV. J1 |
| CAD NAME: MTC100-BXX-PXX-XXX | | SCALE: NONE | SHEET 2 OF 3 |

4

3

2

1

SHEET

2

MTC100-BXX-PXX-XXX

DWG. NO.

A

4

3

2

1

SPECIFICATIONS:

MATERIALS:

- A. SHELL ALUMINUM ALLOY PER ASTM B85 / B85M
- B. ADAPTER SCREW STAINLESS STEEL PER SAE-AMS-QQ-S-763, 300 SERIES
- C. ADAPTER NUT STAINLESS STEEL PER SAE-AMS-QQ-S-763, 300 SERIES
- D. STANDARD PANEL GASKET SILICONE ELASTOMER PER MIL-STD-25988
EMI PANEL GASKET CONDUCTIVE ELASTOMER PER MIL-DTL-83528 TYPE C, GRAY.
- E. INSERT HIGH GRADE POLARYLENE THERMOPLASTIC, MOLDED
- F. INTERFACIAL SEAL FLUOROSILICONE PER MIL-DTL-25988
- G. KEYING PIN HIGH GRADE POLARYLENE THERMOPLASTIC, MOLDED
- H. PIN CONTACT COPPER ALLOY PER ASTM B139 / B139M
- I. PANEL WASHER STAINLESS STEEL PER SAE-AMS-QQ-S-763 OR ASTM B240, 300 SERIES
- J. KEYING PIN INSERT HIGH GRADE POLARYLENE THERMOPLASTIC, MOLDED

FINISH:

| | APPLIES TO NICKEL PLATED CONNECTORS (STANDARD PLATING) | APPLIES TO CADMIUM PLATED CONNECTORS |
|------------------|--|--|
| A. SHELL | NICKEL PLATED PER SAE-AMS-C-26074 CLASS 3, GRADE B | CADMIUM PLATED PER SAE-AMS-QQ-P-416 OVER NICKEL UNDERPLATE |
| B. ADAPTER SCREW | PASSIVATED PER SAE-AMS-QQ-P-35 | CADMIUM PLATED PER SAE-AMS-QQ-P-416 |
| C. ADAPTER NUT | PASSIVATED PER SAE-AMS-QQ-P-35 | CADMIUM PLATED PER SAE-AMS-QQ-P-416 |
| D. PANEL WASHER | PASSIVATED PER SAE-AMS-QQ-P-35 | CADMIUM PLATED PER SAE-AMS-QQ-P-416 |
| E. PIN CONTACT | GOLD PLATED PER ASTM B488 TYPE 2, GRADE C | |

DESIGN AND CONSTRUCTION:

THE CONNECTORS SPECIFIED HEREIN ARE PANEL MOUNTED RECEPTACLES WITH FIXED (NON-REMOVABLE) PIN INSERTS AND CONTACTS. THE CONNECTOR IS WITHOUT PROVISIONS FOR CABLE CLAMPS OR TERMINATION SEALS.

PERFORMANCE:

THESE CONNECTORS MEET THE APPLICABLE REQUIREMENTS OF TE CONNECTIVITY SPECIFICATION C-6111.

PERFORMANCE; SHELL BE IN ACCORDANCE WITH C-6111, EXCEPT AS FOLLOWS

- HUMIDITY
- ALTITUDE IMMERSION
- ALTITUDE - LOW TEMPERATURE
- FLUID IMMERSION

THE CONNECTOR TERMINATION END MUST BE SUITABLY PROTECTED FOR TESTING OR APPLICATION IN ANY OF THESE ENVIRONMENTS.

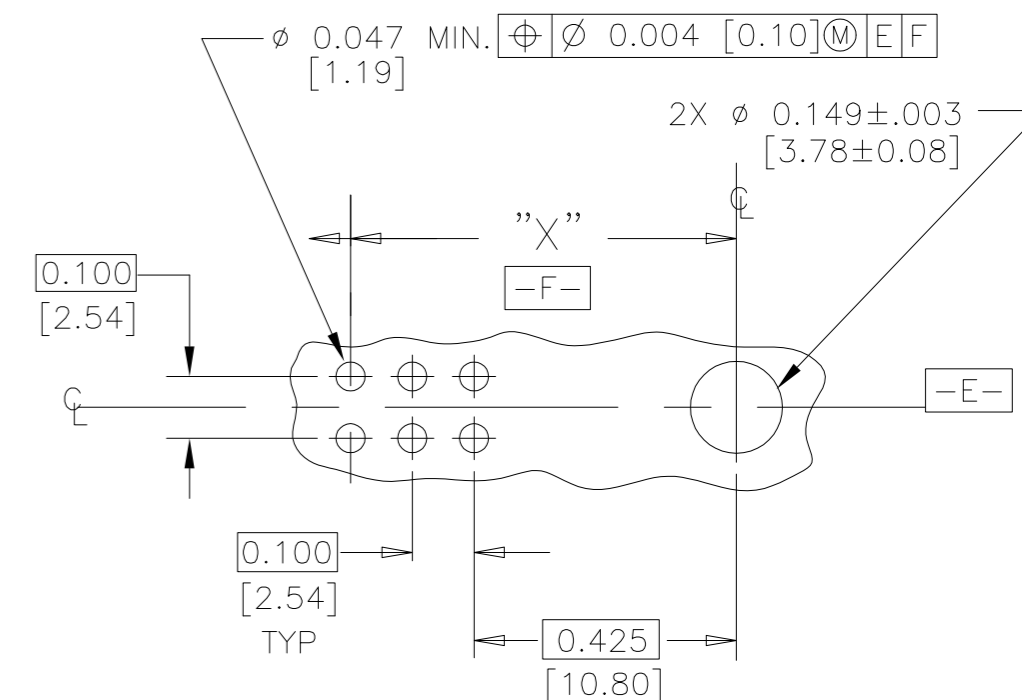
TABLE 3

| PART NUMBER | WEIGHT MAXIMUM GRAMS |
|----------------|----------------------|
| MTC100-BF1-P32 | 23.0 |
| MTC100-BF2-P32 | 33.2 |

THE FOLLOWING TABLE CONSISTS OF WEIGHTS FOR THESE SPECIFIC PART NUMBERS

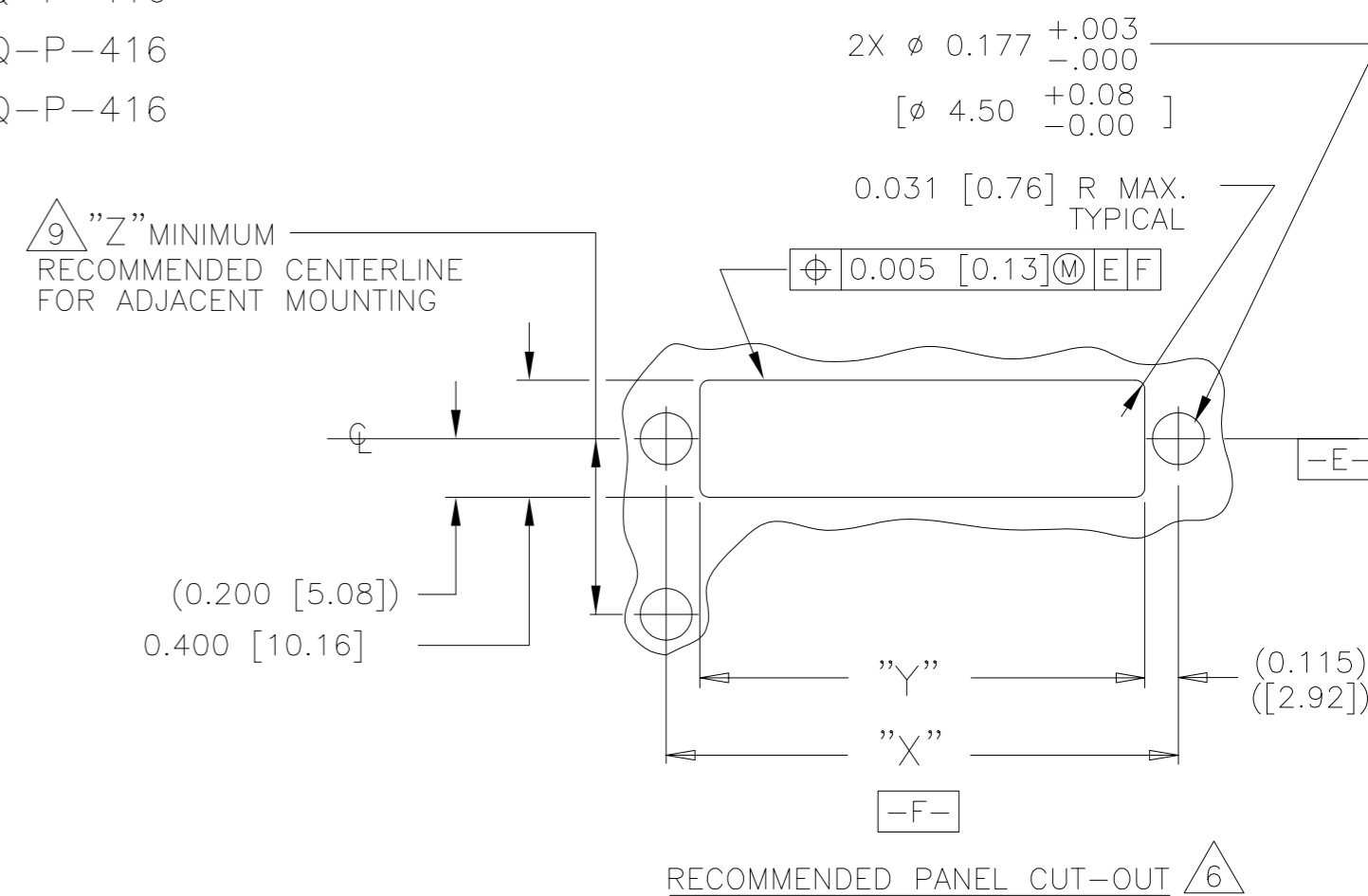


IF THIS DOCUMENT IS PRINTED IT BECOMES UNCONTROLLED. CHECK FOR THE LATEST REVISION.



RECOMMENDED HOLE PATTERN AND SIZE FOR PRINTED CIRCUIT BOARDS

FIGURE 3



RECOMMENDED PANEL CUT-OUT

FIGURE 2

CUSTOMER DRAWING

| | | | |
|--------------------------------|---------------------|--------------------------------|--------------|
| SIZE C | CAGE CODE: 06090 | DWG. NO. MTC100-BXX-PXX-XXX | REV J1 |
| CAD NAME MTC100-BXX-PXX-XXX | | SCALE: NONE | SHEET 3 OF 3 |

4

3

2

1

SHEET 3

DWG. NO. MTC100-BXX-PXX-XXX

A

X-ON Electronics

Largest Supplier of Electrical and Electronic Components

Click to view similar products for [Rack & Panel Connectors](#) category:

Click to view products by [TE Connectivity](#) manufacturer:

Other Similar products are found below :

[00170420102](#) [00171410002](#) [00171420202](#) [00171440002](#) [008026165000265](#) [00-8219-072-000-112P44](#) [008219072000112P5](#)
[008219072000112P61](#) [00-8223-096-580-102](#) [02-014-013-5200-000](#) [00-8129-015-610-108](#) [613467-000](#) [CTJ112E01E-513](#) [CTJ116E03A-513](#)
[CTJ720E01B-513 L/C](#) [M81714/63-22S L/C](#) [M81714/65-12-1](#) [66020-2](#) [CW8958-000](#) [699886-000](#) [D250-50632](#) [70.400.3240.0](#) [70.955.2453.3](#)
[733753-000](#) [F22831-000](#) [780-522-DPX34RG8-02](#) [MMA25-0051R1](#) [MMA25-0341D1](#) [8660-501](#) [87.060.0053.0](#) [900709N001](#) [QRP4-12P-](#)
[C\(01\)](#) [QR/P6-6S-C\(01\)](#) [AC-600003-004](#) [1218600-1](#) [D-659-0061](#) [DMC-MD 24 C-T](#) [1-445717-6](#) [1484398-2](#) [1484399-2](#) [1484469-2](#) [MR-](#)
[34MG](#) [1484225-1](#) [1484398-1](#) [1484510-4](#) [1604997-2](#) [1663130-1](#) [1663767-7](#) [1663767-8](#) [MTC100-BF1-P31CS015](#)